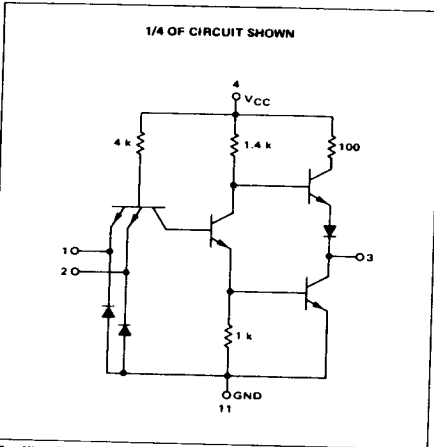


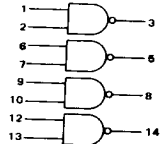
QUAD 2-INPUT "NAND" GATE

MTTL MC5400F/7400F series

MC5400F\*  
MC7400F\*



This device consists of four 2-input NAND gates. Each gate may be used as an inverter, or two gates may be cross-coupled to form bistable circuits.



Positive Logic -  $3 = \overline{1 \cdot 2}$   
Negative Logic -  $3 = \overline{1 + 2}$

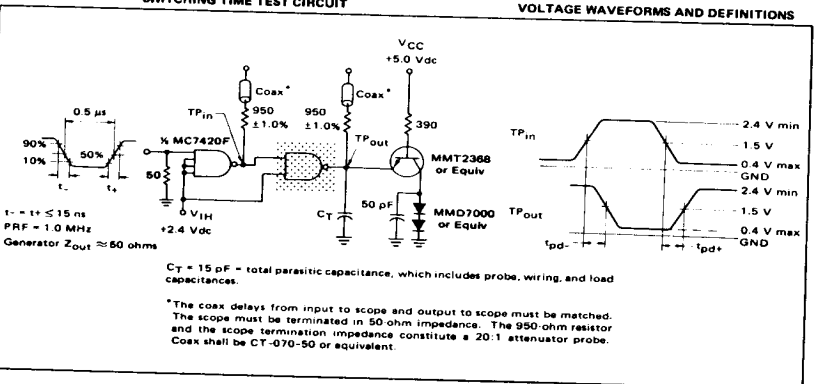
Input Loading Factor = 1  
Output Loading Factor = 10

Total Power Dissipation = 40 mW typ/pkg  
Propagation Delay Time = 13 ns typ

\*F suffix = TO-85 ceramic package (Case 608).  
See General Information section for package outline dimensions.

SWITCHING TIME TEST CIRCUIT

VOLTAGE WAVEFORMS AND DEFINITIONS



425

4245

