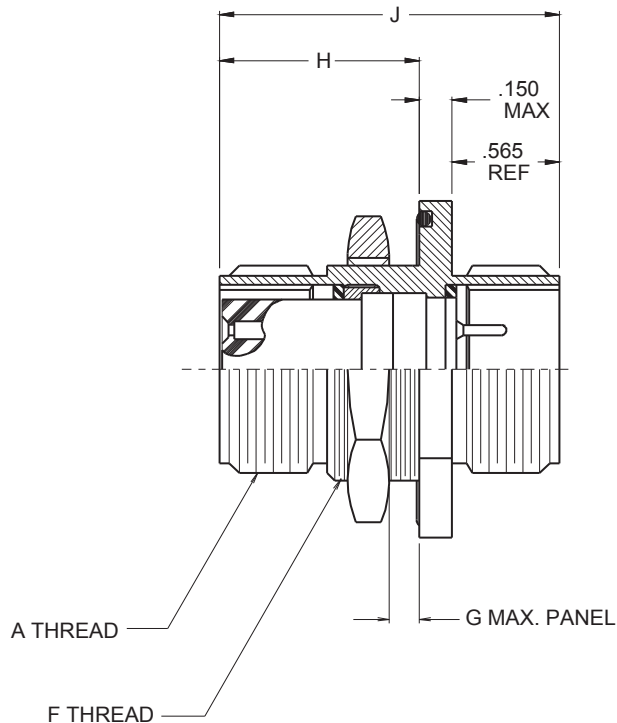
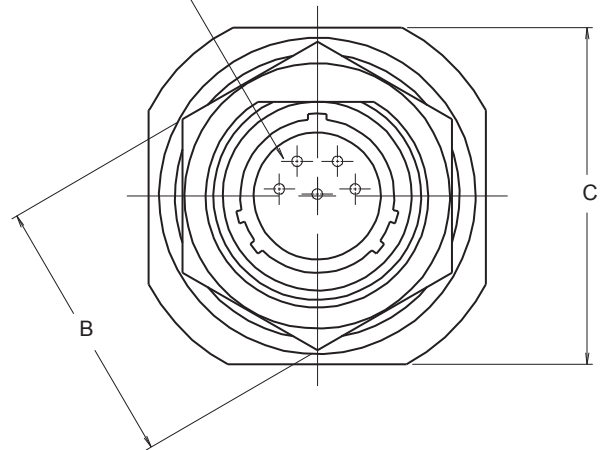


HOW TO ORDER:

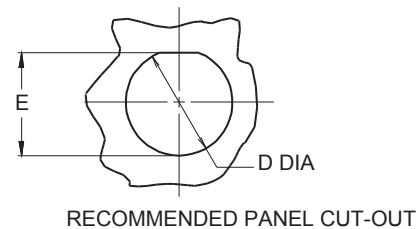
EXAMPLE: 947 - 115 - 21 - 35 B P 01

PRODUCT SERIES |
 BASIC NO |
 SHELL SIZE, TABLE I |
 INSERT ARRANGEMENT DASH NO |
 ALTERNATE POSITION, MIL-DTL-38999, OMIT FOR NORMAL |
 P = PIN ON JAM NUT SIDE |
 S = SOCKET ON JAM NUT SIDE |
 PP = PIN TO PIN Δ 2,3 |
 SS = SOCKET TO SOCKET |
 DASH NO, TABLE II |
 PANEL THICKNESS |

SEE MIL-DTL-38999 FOR
 INSERT ARRANGEMENTS



← DIRECTION OF
 PRESSURE Δ 4



RECOMMENDED PANEL CUT-OUT

947-115
Bulkhead Feed-Thru, Hermetic, Jam Nut Mount
.250/.500ⁱⁿ Panel
MIL-DTL-38999 Series III



MIL-DTL-38999

SHELL SIZE	A THREAD 0.1P-0.3L-TS-2	B DIM	C DIM MAX	D DIA	E DIM	F THREAD x1-6g-0.100R
9	.6250	.875 (22.2)	1.09 (27.7)	.698 (17.7)	.670 (17.0)	M17
11	.7500	1.000 (25.4)	1.28 (32.5)	.822 (20.9)	.770 (19.6)	M20
13	.8750	1.250 (31.8)	1.40 (35.6)	1.010 (25.6)	.955 (24.3)	M25
15	1.0000	1.375 (34.9)	1.53 (38.9)	1.135 (28.8)	1.085 (27.6)	M28
17	1.1875	1.500 (38.1)	1.66 (42.2)	1.260 (32.0)	1.210 (30.7)	M32
19	1.2500	1.625 (41.3)	1.84 (46.7)	1.385 (35.2)	1.335 (33.9)	M35
21	1.3750	1.750 (44.5)	1.97 (50.5)	1.510 (38.4)	1.460 (37.1)	M38
23	1.5000	1.875 (47.6)	2.09 (53.1)	1.635 (41.5)	1.585 (40.3)	M41
25	1.6250	2.000 (50.8)	2.21 (56.1)	1.760 (44.7)	1.710 (43.4)	M44

DASH NO	G MAX	H MAX	J MAX
01	.250 (6.4)	1.08 (27.4)	1.79 (45.5)
02	.500 (12.7)	1.33 (33.8)	2.04 (51.8)

NOTES:

1. ASSEMBLY IDENTIFIED WITH MANUFACTURER'S NAME AND P/N, SPACE PERMITTING.
- ⚠ FOR PIN/PIN AND SKT/SKT, SYMMETRICAL LAYOUTS ONLY, CONSULT FACTORY FOR AVAILABLE INSERT ARRANGEMENTS.
- ⚠ POWER TO A GIVEN CONTACT ON ONE END WILL RESULT IN POWER TO CONTACT DIRECTLY OPPOSITE, REGARDLESS OF IDENTIFICATION LETTER.
- ⚠ HERMETICITY = LESS THAN 1×10^{-6} CC/SEC AT ONE ATMOSPHERE. NOT FOR USE IN LIQUID ATMOSPHERE.
5. ELECTRICAL SAFETY LIMITS MUST BE ESTABLISHED BY USER, PEAK VOLTAGE, SWITCHING SURGE, TRANSIENT, ETC.. SHOULD BE USED TO DETERMINE THE SAFETY APPLICATION.
6. MATERIAL/FINISH:
 SHELL, LOCK RING, JAM NUT - STAINLESS STEEL/PASSIVATE
 CONTACTS - COPPER ALLOY/GOLD PLATE AND ALLOY 52/GOLD PLATE
 INSULATORS - HIGH-GRADE RIGID DIELECTRIC/N. A. AND FULL GLASS.
 SEALS - SILICONE/N. A.