

A11 DP PLUG (.1" * .1")

PITCH: 2.54mm

MATERIAL

INSULATOR - PBT (UL 94V-0)
CONTACT - COPPER ALLOY

SPECIFICATIONS

CURRENT RATING

1 AMP DC

CONTACT RESISTANCE

30 MILLIOHM MAX.

INSULATION RESISTANCE

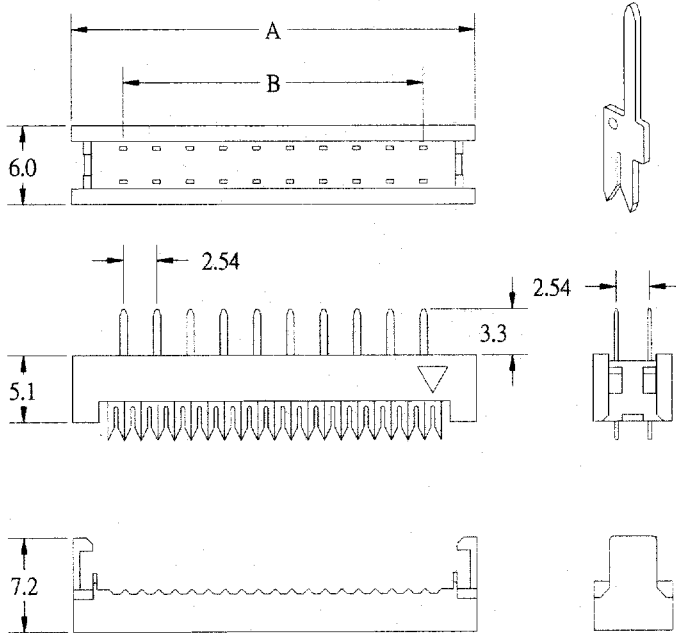
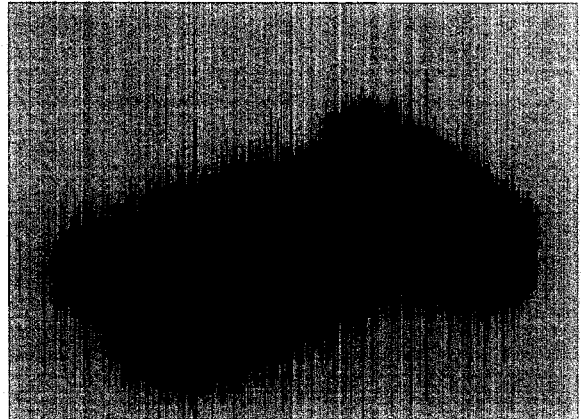
1000 MEGOHM MIN.

DIELECTRIC VOLTAGE

500V AC FOR ONE MINUTE

OPERATING TEMPERATURE

-40°C TO 105°C



POSITION	A	B
8	15.38	7.62
10	18.04	10.16
12	20.64	12.70
14	23.18	15.24
16	25.73	17.78
20	30.70	22.86
24	35.68	27.94
26	38.43	30.48
28	40.74	33.02
30	43.54	35.56
34	48.45	40.64
40	56.04	48.26
50	69.08	60.96
60	81.60	73.66
64	86.40	78.74



1.NO. OF CONTACT	2.CONTACT MATERIAL	3.CONTACT PLATING	4.INSULATOR COLOR
08 10 12 14 16 20 24 26 28 30 34 40 50 60 64	A: BRASS B: PHOSPHOR BRONZE	T: TIN PLATED S: SELECTIVE G: GOLD FLASH A: 5u" INCH GOLD B: 10u" INCH GOLD C: 15u" INCH GOLD D: 30u" INCH GOLD	1. BLACK 2. GREY

