

**Amphenol®**

VERY HIGH DENSITY CABLE INTERCONNECT

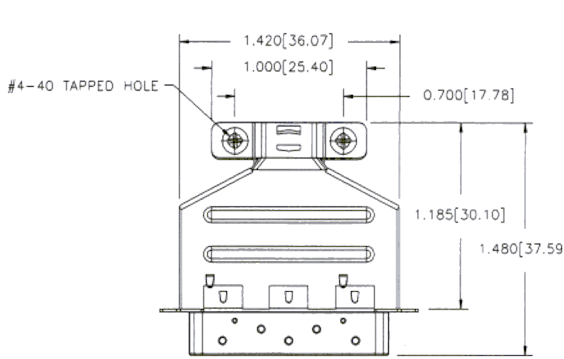
**VHDCI**

0.8 mm ULTRA SCSI

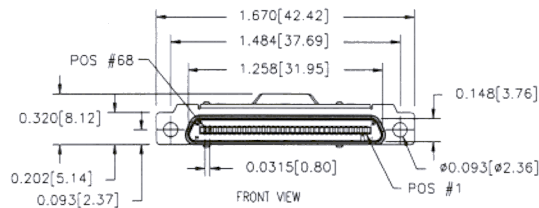


[WWW.VHDCI.COM](http://WWW.VHDCI.COM)

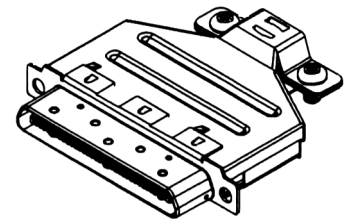
**PART NUMBER H12-PCA-100 FULLY SHIELDED PLUG ASSEMBLY FOR OVERMOULD**



**TOP VIEW**

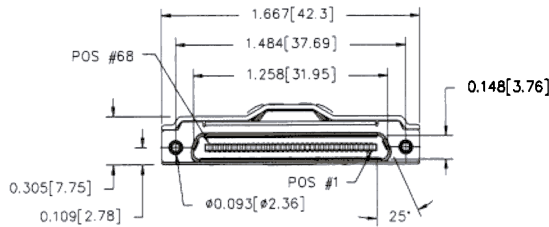


**FRONT VIEW**

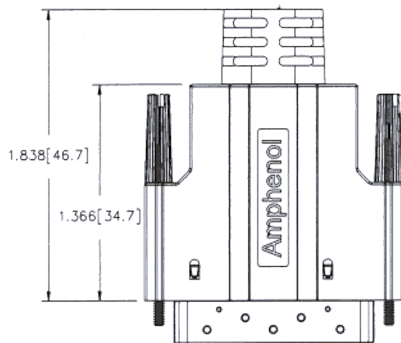


**ISOMETRIC VIEW**

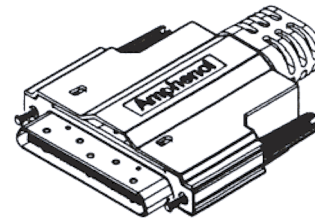
**PART NUMBER H12-PAA-100**



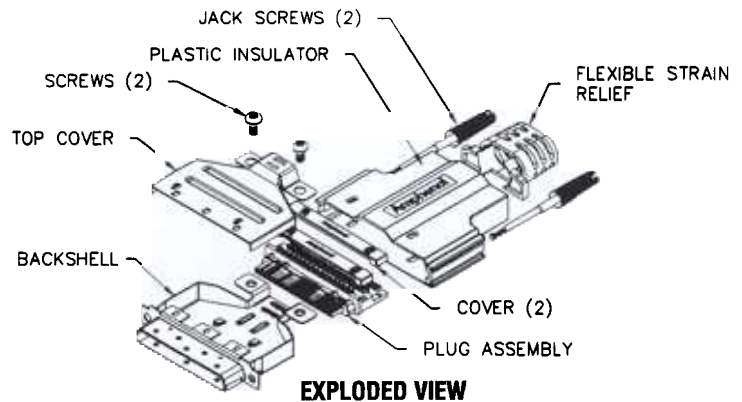
**FRONT VIEW**



**TOP VIEW**

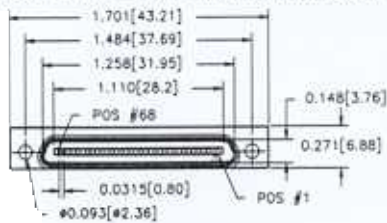


**ISOMETRIC VIEW**

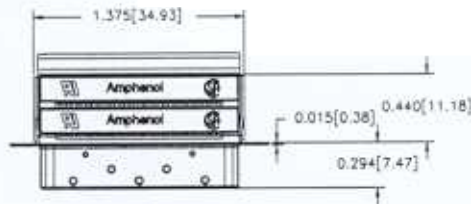


**EXPLODED VIEW**

**PART NUMBER H12-PBA-100 PLUG ASSEMBLY FOR OVERMOULD**



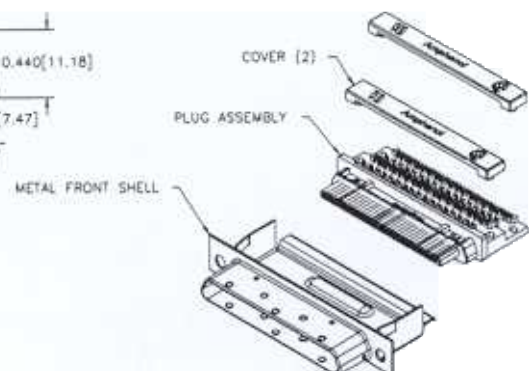
**FRONT VIEW**



**FRONT VIEW**

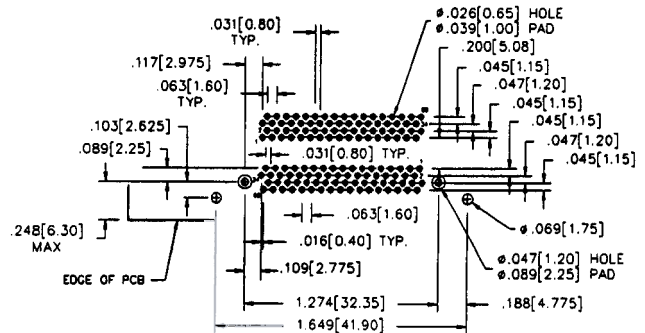
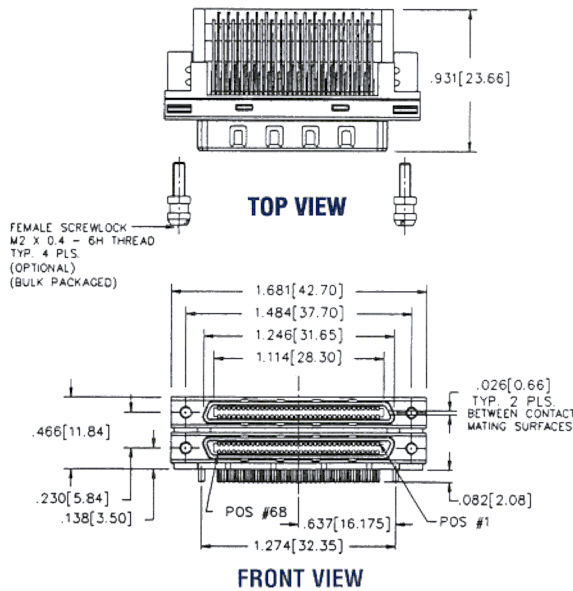


**SIDE VIEW**

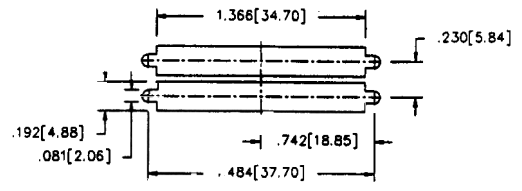


**EXPLODED VIEW**

PART NUMBER H11-RBA-100 WITH OUT SCREWLOCK  
 PART NUMBER H11-RBA-101 WITH SCREWLOCK

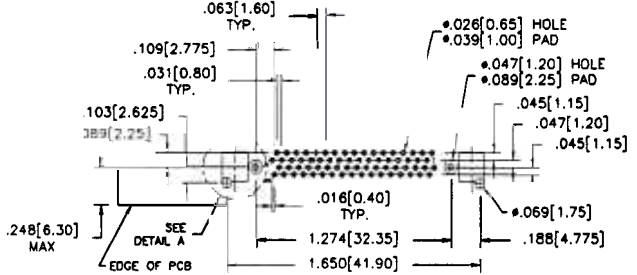
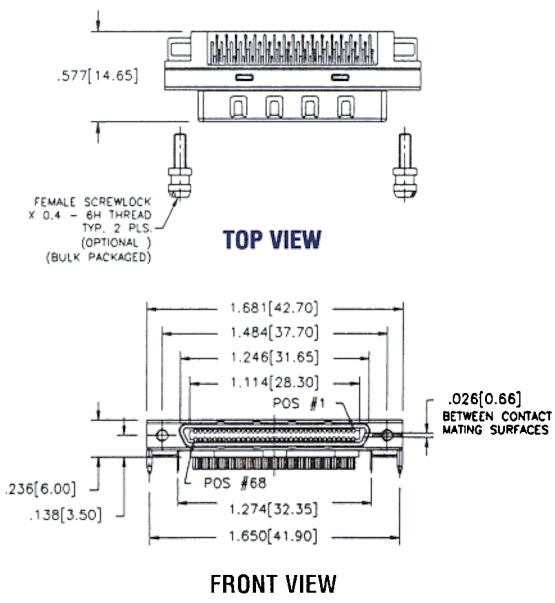


RECOMMENDED PCB FOOTPRINT COMPONENT SIDE

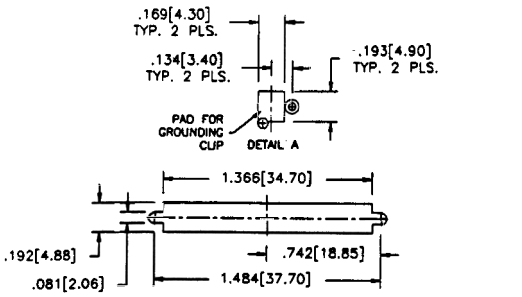


PANEL CUTOUT DIMENSIONS

PART NUMBER H11-RAA-100 WITH OUT SCREWLOCK  
 PART NUMBER H11-RAA-101 WITH SCREWLOCK



RECOMMENDED PCB FOOTPRINT COMPONENT SIDE



PANEL CUTOUT DIMENSIONS

MATERIAL SPECIFICATIONS

RIGHT ANGLE SINGLE AND STACKED RECEPTACLE

Shell Material	Steel Tin Plated over Copper Underplate
Insulator Body Material	Black, Glass Reinforced Thermoplastic UL 94V-0
Pin Spacer Material	Black, Glass Reinforced Thermoplastic UL 94V-0
Ground Clips Material	Steel Tin Plated over Copper Underplate
Contact Material	Phosphor Bronze
Contact Plates	(3 micro-inches over 27 micro-inches(Pd)-(Ni) on mating surfaces Tin/Lead on PCB Tails
Nuts Material	Steel, Zinc Plated with Clear Chromate Finish

Ground Brackets Material

Screwlocks

PLUG ASSEMBLY

IDC Termination of Plug End

Plug Insulator

Inner shell

Outer Shell

Jack-Screws

Steel, Tin Plated over Nickel Underplate

Steel, Zinc Plated with Clear Chromate Finish

30 AWG Solid or Stranded Cable with (.022-.025)

Insulation Diameter.

Natural Colour, Glass Filled Thermoplastic UL 94V-0

Steel, Nickel-plated over Copper Under-plate.

Black Thermoplastic UL 94V-0

Steel, Nickel-plated, with Plastic Head



## ELECTRICAL

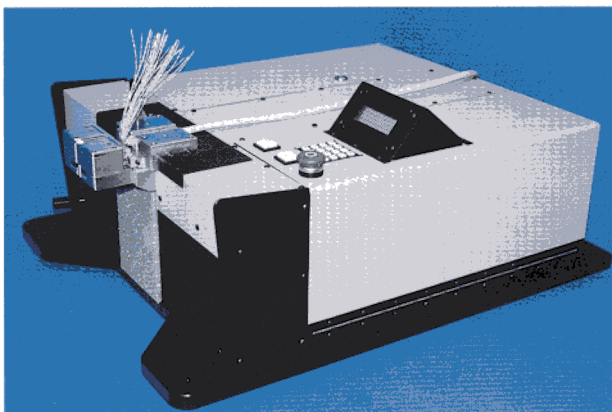
### ELECTRICAL PERFORMANCE REQUIREMENTS FOR VHDCI CONNECTORS

Rated Voltage	30 v rms	0.5 A/ contact with 34 contacts energized @ 0.5 A	0.3 A/ contact with 68 contacts energized @ 0.3 A
Insulation Resistance			
Mating Cycles	Up to 2000		
Contact Resistance	< 60 mohm		

### PRINTED CIRCUIT BOARD COMPATIBILITY REQUIREMENTS

Termination Side Type	Min (mm/inches)	Max (mm/inches)
		1.75/0.69

## TERMINATION TOOLING



### Part Number 359-8H12

Amphenol's new Accu-Pierce tool is the next generation of semi-automatic production machines for inserting wire one pair at a time into Amphenol's VHDCI (H12) Series connectors.

## TOOLING FEATURES

- All Electric Machine Design: Low maintenance and user friendly, 120 VAC, +/- 10%, 1Ph, 60 Hz.
- Programmable Digital Display: 1) Displays cable colour code, 2) Functions as machine fault display, and 3) Displays operator instructions thru termination process.
- Adjustable Cable Clamp: Can handle jacketed cable up to .500" diameter.
- Front Load Connector Holder: Lever activated nest opening with positive connector lockin for location.
- On Pitch Wire Separators: Holds wires on pitch during termination process therefore avoiding crossovers and pinched wires.
- Unique Wire Guide And Insertion System:" allows for controlled and repeatable wire placement.
- Insertion Depth Feature: Insertion driven by spring override mechanism. This helps alleviate jams and permanent damage to the tool.
- Cable Straightener: Allows for straightening of cable while connector is clamped in tool preventing wire pull outs from contacts.
- Continuity Test feature: Terminations tested per one wire of each pair therefore preventing incorrect terminations.
- Terminates approximately 12-15 connectors per hour

# Amphenol®

Data / Telecom Products

20 Melford Drive, Scarborough, Ontario  
Canada M1B 2X6

Telephone: (416) 291-4401

Facsimile: (416) 754-8668

Email: sales@amphenolcanada.com

Website: www.amphenol.com

© Amphenol Canada Corp.  
Specifications subject to change without notice.  
Printed in Canada 06/99

Designed by Macrae Design Inc.  
CATALOGUE # ADT 00012/99-06