

Switchcraft® CONNECTORS & RECEPTACLES

HP75BNC SERIES BNC CONNECTORS



HP75BNC9

Switchcraft Inc. introduces a complete line of true 75 Ohm BNC cable mount connectors. This new series was developed for the broadcast industry, or wherever true 75 Ohm impedance BNC's are used. The HP75BNC Series is available in a wide range of styles, to accommodate the most popular types of coaxial cables. All are crimp terminated using standard crimping tools.

**FEATURES AND BENEFITS**

- True 75 Ohm impedance
- Gold-plated center pins for increased life
- Available for a wide range of cable types
- Outstanding electrical performance
- Rugged nickel-plated, machined shells

**SPECIFICATIONS**

**Electrical**  
**Characteristic Impedance:** 75 Ohms  
**Voltage Rating:** 500 Volts RMS  
**Return Loss:** Less than -25 db at 3 GHz  
**Insulation Resistance:** 5000 Megohms min

**MECHANICAL**

**Lifecycles:** 500 min  
**Center Contact Retention:** 6 lbs. min  
**Coupling Mechanism:** 100 lbs. min  
**Force to Engage:** 2.5 lbs. max

**ENVIRONMENTAL**

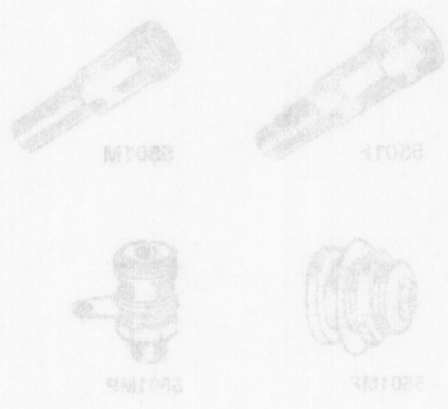
**Thermal Shock:** -65° C to 165° C  
**Moisture Resistance:** Mil Std 202  
**Corrosion:** Mil Std 202  
**Flammability:** UL 94-VO  
**Vibration:** Mil Std 202  
**Solvent Resistance:** Mil Std 202

**FINISH**

**Body/Bayonet:** Nickel-plated copper alloy  
**Center Conductor:** 50 mi gold-plated copper alloy

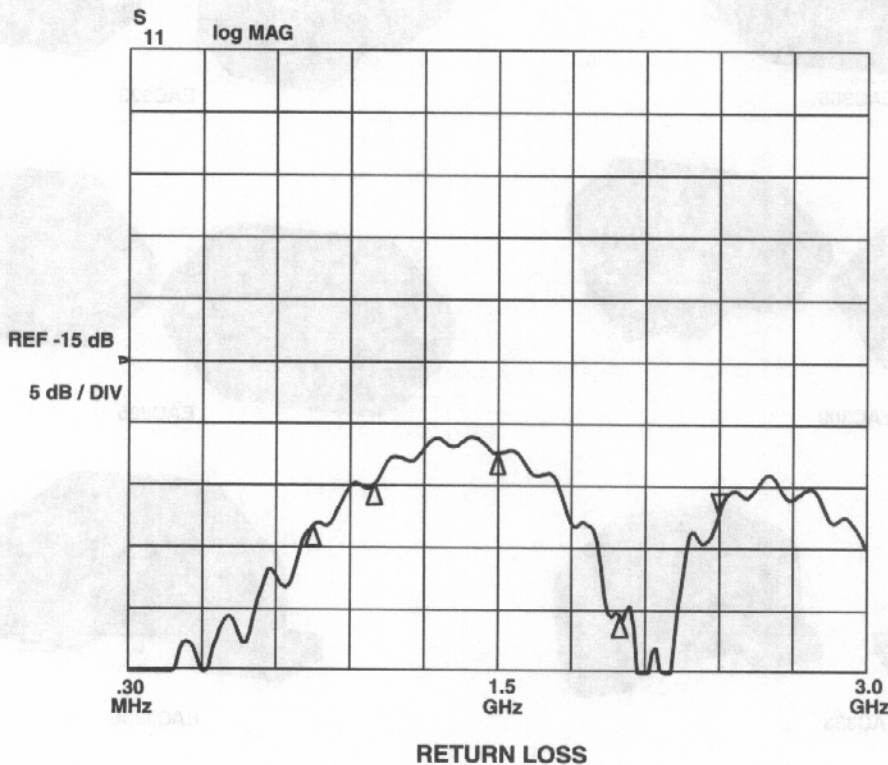
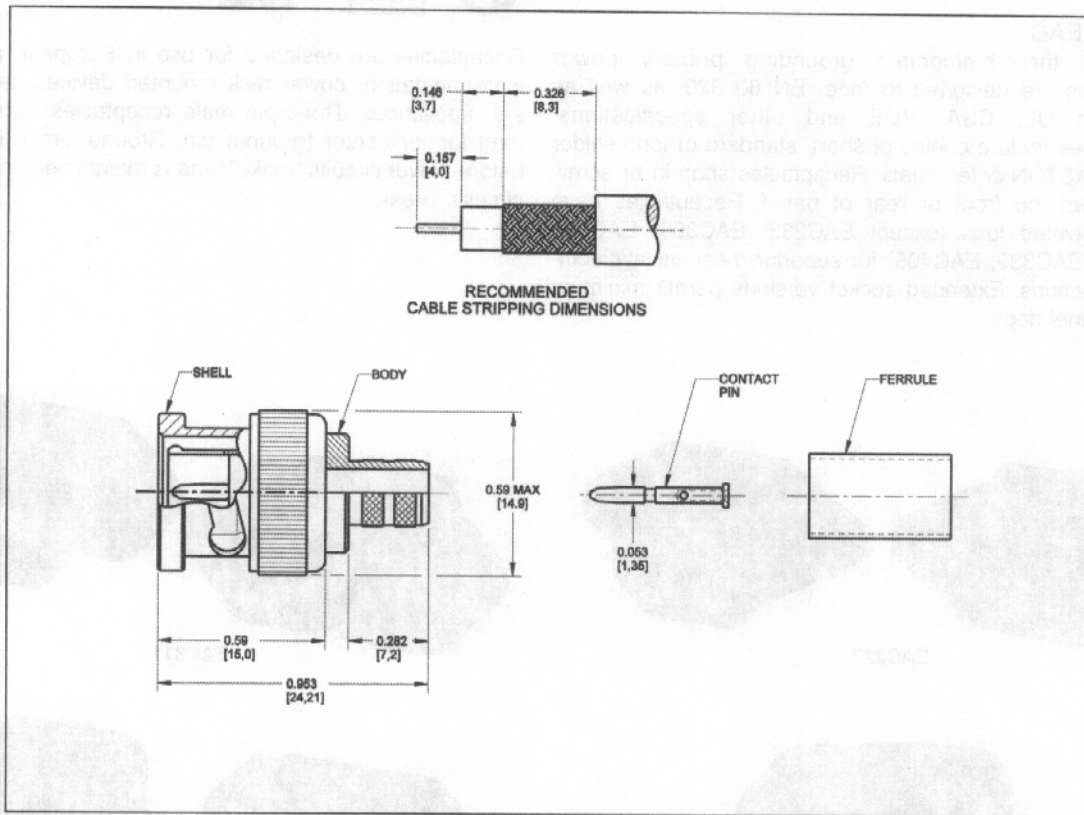
**ORDERING INFORMATION**

Part Number	Cable Type
HP75BNC1	Belden #8241
HP75BNC2	Belden #8281B
HP75BNC6	Belden #1695A
HP75BNC7	Belden #1694A
HP75BNC9	Belden #1505A
HP75BNC10	Belden #1506A
HP75BNC12	Belden #1855A



DIMENSIONS ARE FOR REFERENCE ONLY Inch  
(mm)

HP75BNC SERIES BNC CONNECTORS (continued)



DIMENSIONS ARE FOR REFERENCE ONLY  $\frac{\text{Inch}}{\text{mm}}$