

**REVISION BV**

DO NOT SCALE FROM THIS PRINT

**NOTES:**

1. (C) REPRESENTS A CRITICAL DIMENSION.
2. MEASURED AT BEND RADIUS, NOT AT END OF PIN.
3. TUBE ONLY -05 THROUGH -50 POSITIONS.
4. GOLD PLATING TO BE ON POST, TIN PLATING ON TAIL.
5. PARTS MAY BE CUT TO POSITION.
6. MINIMUM PUSHOUT FORCE: 1.0 LB.
7. SURFACE MOUNT TAILS TO BE SHEARED TO DIMENSION ON STYLE -05 ONLY.
8. DUE TO THE HIGH AMOUNT OF INSERTION FORCE NEEDED, THE -LC OPTION IS NOT COMPATIBLE WITH AUTO PLACEMENT. SAMTEC RECOMMENDS MANUAL PLACEMENT FOR ALL ASSEMBLIES WITH THE -LC, -EC, -EBC AND -EPC OPTIONS.

**BV** PLATING

- L: 15µ" LIGHT SELECTIVE GOLD IN CONTACT AREA, MATTE TIN ON TAIL
- F: 3µ" FLASH GOLD IN CONTACT AREA, MATTE TIN ON TAIL
- S: 30µ" SELECTIVE GOLD IN CONTACT AREA, MATTE TIN ON TAIL
- G: 20µ" GOLD IN CONTACT AREA, 3µ" MIN GOLD ON TAIL
- T: MATTE TIN ON CONTACT AND TAIL
- H: 30µ" HEAVY GOLD IN CONTACT AREA, 3µ" MIN GOLD ON TAIL
- TM: MATTE TIN CONTACT AND TAIL
- LM: 15µ" LIGHT SELECTIVE GOLD IN CONTACT AREA, MATTE TIN ON TAIL
- SM: 30µ" SELECTIVE GOLD IN CONTACT AREA, MATTE TIN ON TAIL
- FM: 3µ" FLASH SELECTIVE GOLD IN CONTACT AREA, MATTE TIN ON TAIL

**TMMH-1XX-XX-XX-DV-XXX-XXX**

No OF POS  
-02 THRU -50  
(PER ROW)

**LEAD STYLE**

- 01: .126 [3.20]  
(USE T-1S13-07-XX-2)
- 04: .075 [1.91]  
(USE T-1S13-04-XX-2)
- 05: .065 [1.65] MIN  
(USE T-1S13-20-XX-2)

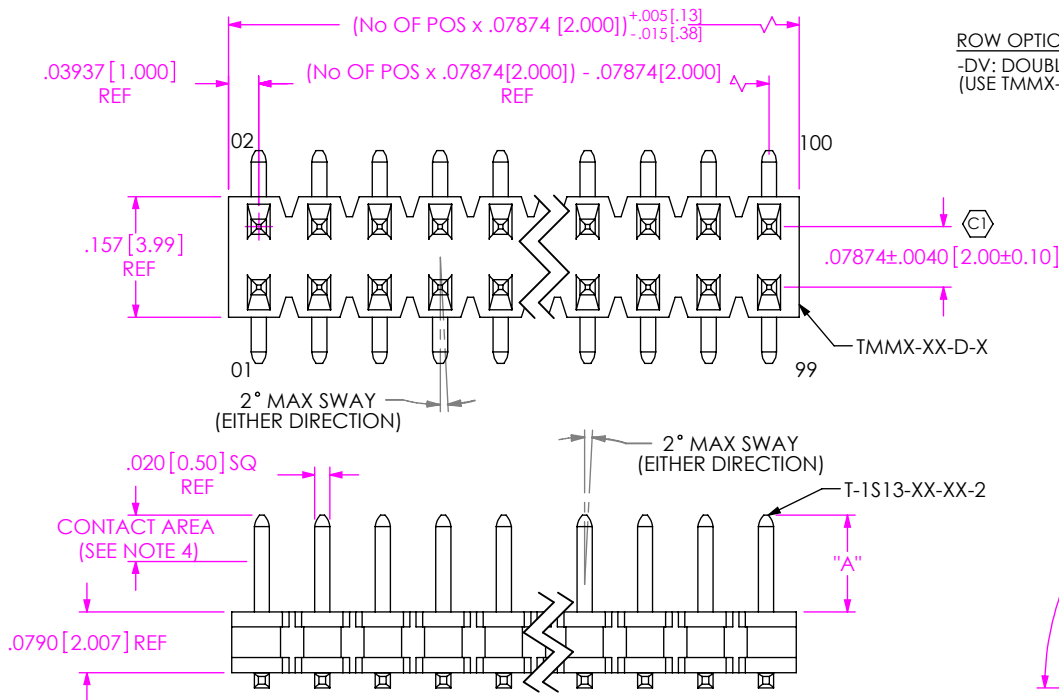
**POLARIZATION**  
SPECIFY POS -XXX TO BE OMITTED

**OPTIONS \*\***

- M: PICK & PLACE PAD (USE PPP-10) (SEE FIG 3; 5 POS MIN)
- (-T, -TM PLATING WITH -M AVAILABLE TO EXISTING CUSTOMERS ONLY AS OF REV BV. DO NOT DESIGN IN.)** **BV**
- TR: TAPE & REEL PACKAGING (36 POS MAX CONTACT SAMTEC FOR LARGER POSITIONS.)
- ES: END SHROUDS (SEE FIG 4, SHT 2, 9 POS MIN)
- EC: LOCKING CLIP (SEE FIG 6, SHT 3, 9 POS MIN, DO NOT USE WITH -A OR -LC, SEE NOTE 8)
- EP: GUIDE POST (SEE FIG 9, SHT 2, 9 POS MIN)
- EL: BOARD LOCK (SEE FIG 5, SHT 2, 9 POS MIN)
- LC: FLEX MOLD LOCKING CLIP (USE LC-09-TM, SEE FIG 2, SHEET 2, 5 POS MIN, SEE NOTE 8)
- A: ALIGNMENT PIN (USE TMMH-50-D-A-XX, SEE FIG 2, SHEET 2, 3 POS MIN)
- EBC: BOARD LOCK WITH LOCKING CLIP (SEE FIG 8 SHT 2, 9 POS MIN NOT AVAILABLE WITH -A OR -LC, SEE NOTE 8)
- EPC: GUIDE POST WITH LOCKING CLIP (SEE FIG 7, SHT 3, 9 POS MIN NOT AVAILABLE WITH -A OR -LC, SEE NOTE 8)

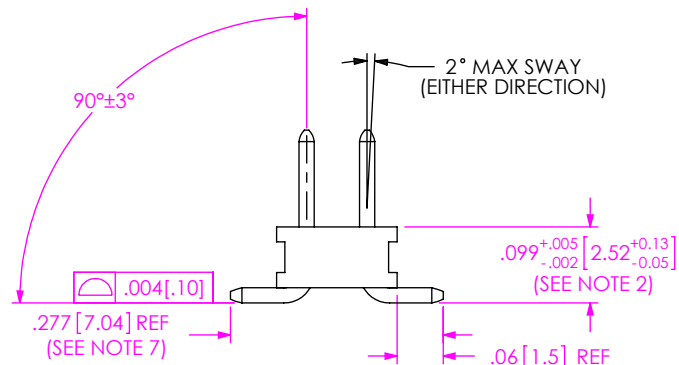
**ROW OPTION**  
-DV: DOUBLE VERTICAL  
(USE TMMX-50-D-X-XX)

\*\* ALL OPTIONS EXCEPT THE -EX OPTIONS  
USE THE TMMC-50-D-X-XX  
-EX OPTIONS USE THE TMMH-50-D-X-XX



**TABLE 1**

STYLE	"A"	"B"	TERMINAL	"L"
-01	.126[3.20]	.101[2.57]	T-1S13-07-XX-2	.302[7.67]
-04	.075[1.91]	.050[1.27]	T-1S13-04-XX-2	.255[6.48]
-05	.065[1.65]	.040[1.02]	T-1S13-20-XX-2	.323[8.20]



UNLESS OTHERWISE SPECIFIED, DIMENSIONS ARE IN INCHES. TOLERANCES ARE:  
 DECIMALS ANGLES  
 .XX: ±.01 [.3] 2°  
 .XXX: ±.005 [.13]  
 .XXXX: ±.0020 [.051]

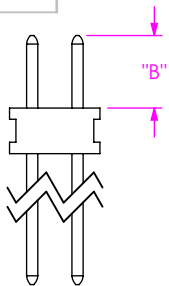
**PROPRIETARY NOTE**  
 THIS DOCUMENT CONTAINS INFORMATION CONFIDENTIAL AND PROPRIETARY TO SAMTEC, INC. AND SHALL NOT BE REPRODUCED OR TRANSFERRED TO OTHER DOCUMENTS OR DISCLOSED TO OTHERS OR USED FOR ANY PURPOSE OTHER THAN THAT WHICH IT WAS OBTAINED WITHOUT THE EXPRESSED WRITTEN CONSENT OF SAMTEC, INC.



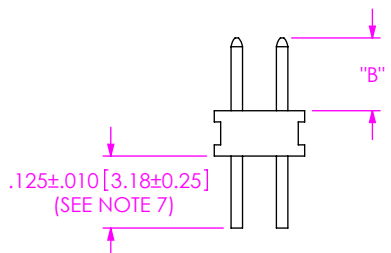
520 PARK EAST BLVD, NEW ALBANY, IN 47150  
 PHONE: 812-944-6733 FAX: 812-948-5047  
 e-Mail: info@SAMTEC.com code 53322

MATERIAL: DO NOT SCALE DRAWING SHEET SCALE: 1:1  
 BODIES: LCP, UL 94 VO COLOR: BLACK  
 TERMINAL: PHOSPHOR BRONZE, ALLOY  
 MAX. CUT FLASH: .020 [.51]  
 F:\DWG\MISC\Mktg\TMMH-1XX-XX-XX-DV-XXX-XXX-MKT.SLDDRW

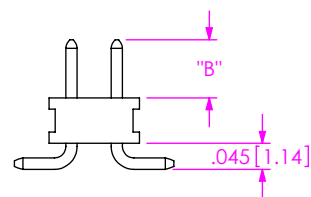
DESCRIPTION:  
 2MM X 2MM TERMINAL STRIP ASSEMBLY  
 DWG. NO. TMMH-1XX-XX-XX-DV-XXX-XXX-MKT  
 BY: PURVIS 10/08/1996 SHEET 1 OF 4



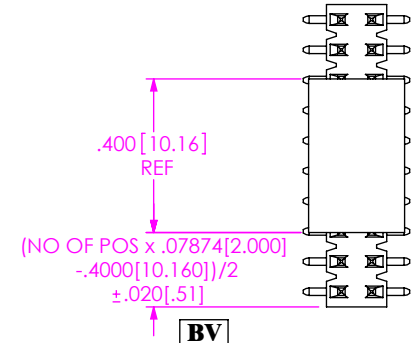
IN-PROCESS 1



IN-PROCESS FOR STYLE -05



IN-PROCESS 3



BV

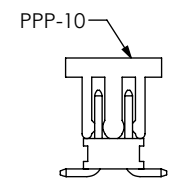
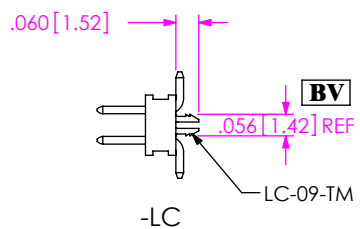


FIG 3  
-M  
(DIFFERENT AS SHOWN,  
OTHERWISE SAME AS FIG 1.)



BV

-LC

LC-09-TM

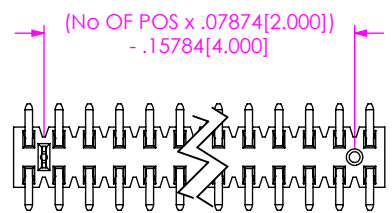
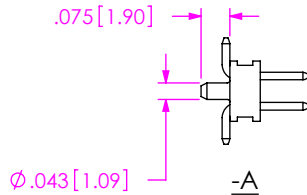


FIG 2  
(DIFFERENT AS SHOWN,  
OTHERWISE SAME AS FIG 1.)



-A

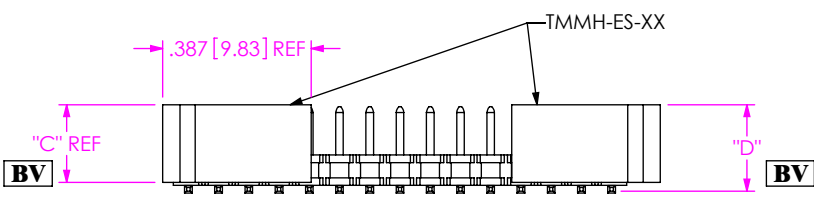
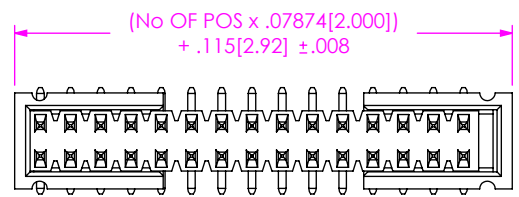
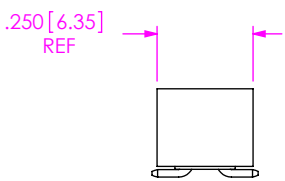


FIG 4  
-ES  
(DIFFERENT AS SHOWN,  
OTHERWISE SAME AS FIG 1.)



STYLE	"C"	"D"	SHROUD
-01	.202[5.13]	.230[5.84]	TMMH-ES-01
-04	.149[3.78]	.177[4.50]	TMMH-ES-04
-05	.149[3.78]	.177[4.50]	TMMH-ES-04

**PROPRIETARY NOTE**  
THIS DOCUMENT CONTAINS INFORMATION CONFIDENTIAL AND PROPRIETARY TO SAMTEC, INC. AND SHALL NOT BE REPRODUCED OR TRANSFERRED TO OTHER DOCUMENTS OR DISCLOSED TO OTHERS OR USED FOR ANY PURPOSE OTHER THAN THAT WHICH IT WAS OBTAINED WITHOUT THE EXPRESSED WRITTEN CONSENT OF SAMTEC, INC.



520 PARK EAST BLVD. NEW ALBANY, IN 47150  
PHONE: 812-944-6733 FAX: 812-948-5047  
e-Mail info@SAMTEC.com code 55322

DO NOT SCALE DRAWING

DESCRIPTION:  
2MM X 2MM TERMINAL STRIP ASSEMBLY

DWG. NO.  
TMMH-1XX-XX-XX-DV-XXX-XXX-MKT

BY: PURVIS 10/08/1996 SHEET 2 OF 4

STYLE	"E"	"F"	SHROUD
-01	.202[5.13]	.230[5.84]	TMMH-EL-01
-04	.149[3.78]	.177[4.50]	TMMH-EL-04
-05	.149[3.78]	.177[4.50]	TMMH-EL-04

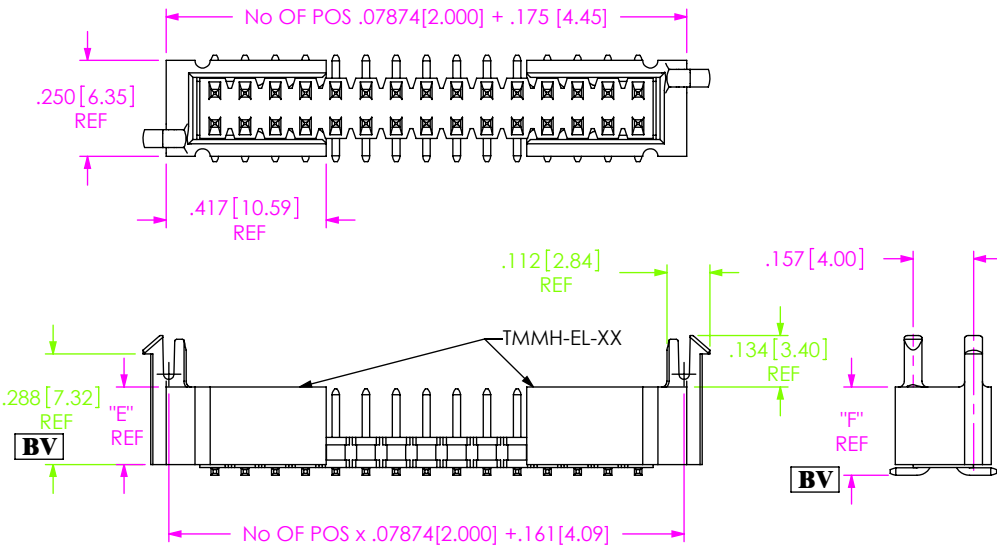


FIG 5  
-EL

(DIFFERENT AS SHOWN,  
OTHERWISE SAME AS FIG 1.)

STYLE	"J"	"K"	SHROUD
-01	.202[5.13]	.230[5.84]	TMMH-EC-01
-04	.149[3.78]	.177[4.50]	TMMH-EC-04
-05	.149[3.78]	.177[4.50]	TMMH-EC-04

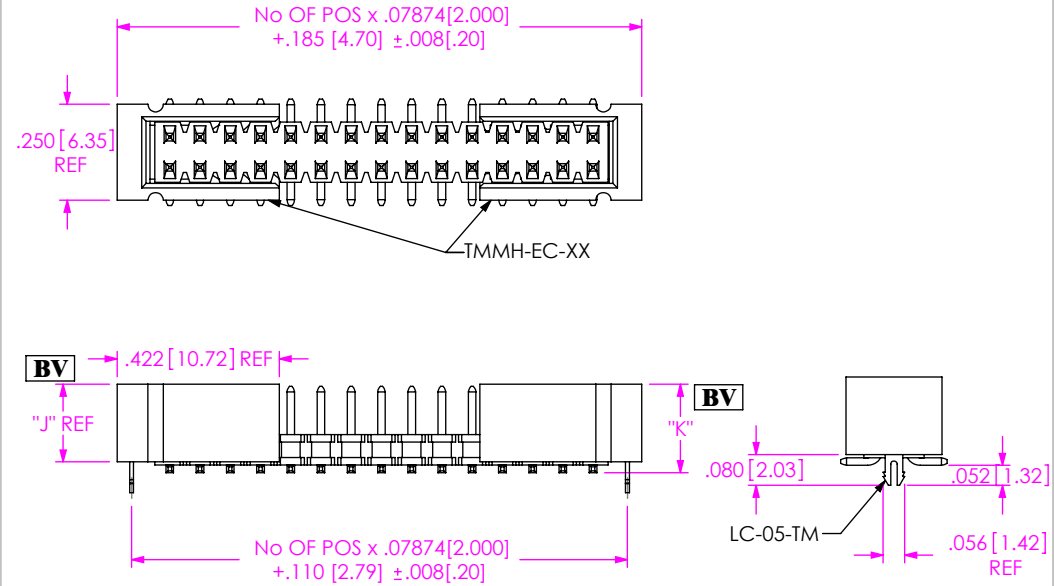


FIG 6  
-EC

(DIFFERENT AS SHOWN,  
OTHERWISE SAME AS FIG 1.)

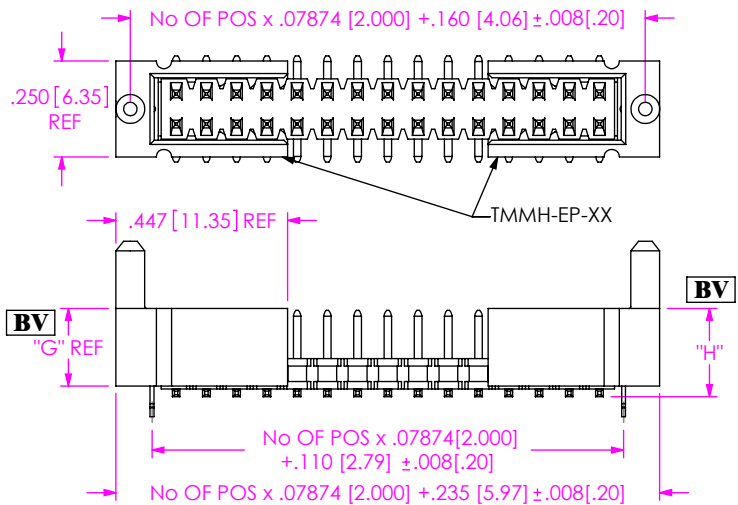
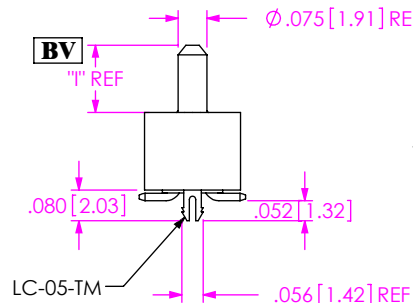


FIG 7  
-EPC

(DIFFERENT AS SHOWN,  
OTHERWISE SAME AS FIG 1.)

STYLE	"G"	"H"	"I"	SHROUD
-01	.202[5.13]	.230[5.84]	.175[4.45]	TMMH-EP-01
-04	.149[3.78]	.177[4.50]	.119[3.02]	TMMH-EP-04
-05	.149[3.78]	.177[4.50]	.119[3.02]	TMMH-EP-04



PROPRIETARY NOTE

THIS DOCUMENT CONTAINS INFORMATION CONFIDENTIAL AND PROPRIETARY TO SAMTEC, INC. AND SHALL NOT BE REPRODUCED OR TRANSFERRED TO OTHER DOCUMENTS OR DISCLOSED TO OTHERS OR USED FOR ANY PURPOSE OTHER THAN THAT WHICH IT WAS OBTAINED WITHOUT THE EXPRESSED WRITTEN CONSENT OF SAMTEC, INC.

SHEET SCALE: 2:1

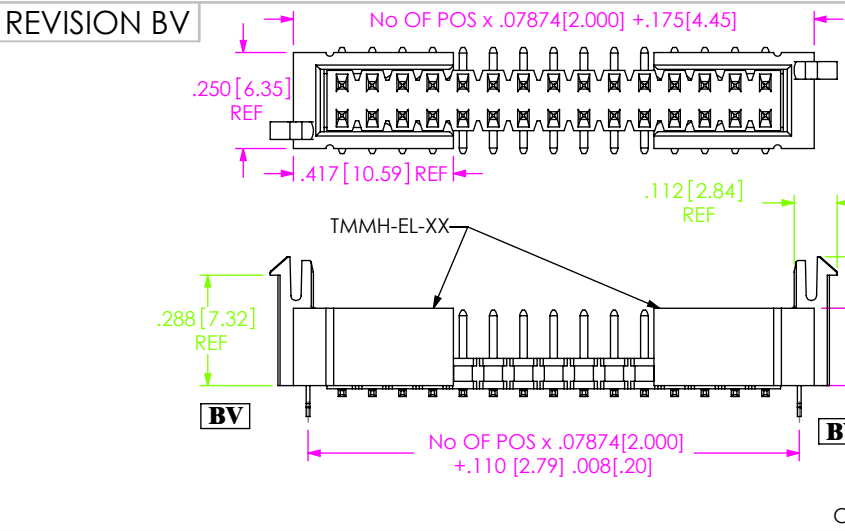


520 PARK EAST BLVD., NEW ALBANY, IN 47150  
PHONE: 812-944-6733 FAX: 812-948-5047  
e-Mail: info@SAMTEC.com code 55322

DESCRIPTION:  
2MM X 2MM TERMINAL STRIP ASSEMBLY

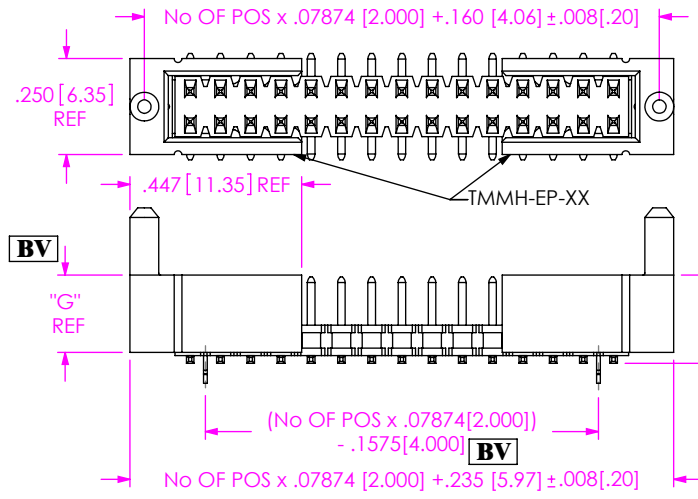
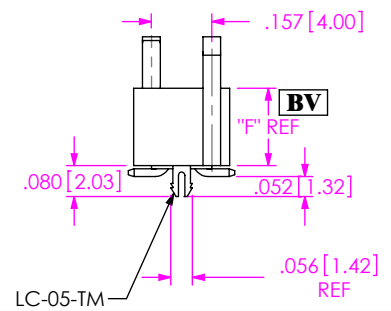
DWG. NO.  
TMMH-1XX-XX-XX-DV-XXX-XXX-MKT

BY: PURVIS 10/08/1996 SHEET 3 OF 4



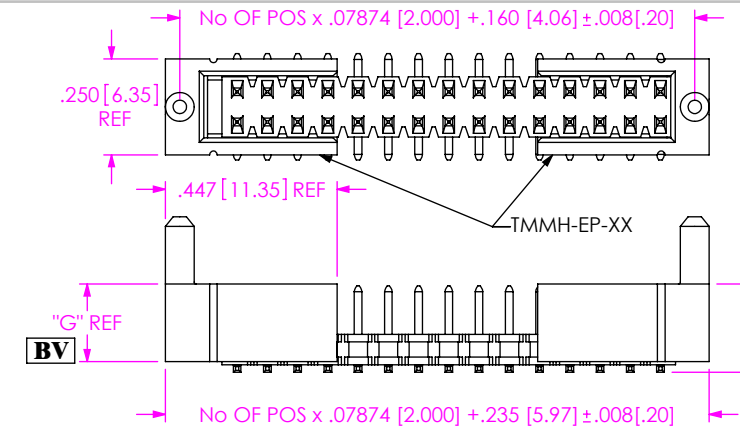
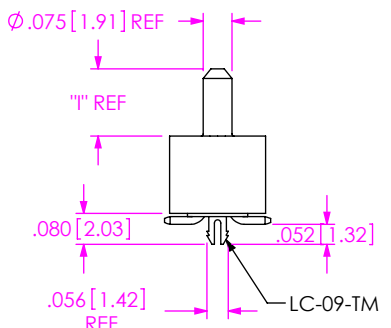
STYLE	"E"	"F"	SHROUD
-01	.202[5.13]	.230[5.84]	TMMH-EL-01
-04	.149[3.78]	.177[4.50]	TMMH-EL-04
-05	.149[3.78]	.177[4.50]	TMMH-EL-04

FIG 8  
-EBC  
(DIFFERENT AS SHOWN,  
OTHERWISE SAME AS FIG 1.)



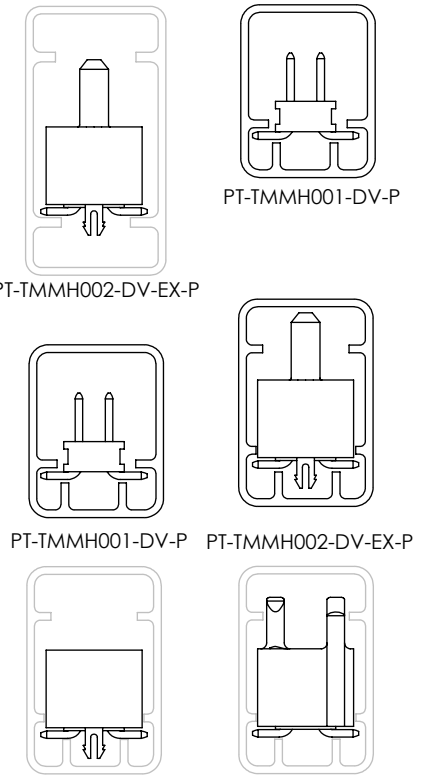
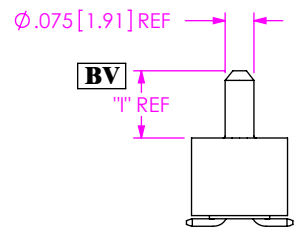
STYLE	"G"	"H"	"I"	SHROUD
-01	.202[5.13]	.230[5.84]	.175[4.45]	TMMH-EP-01
-04	.149[3.78]	.177[4.50]	.119[3.02]	TMMH-EP-04
-05	.149[3.78]	.177[4.50]	.119[3.02]	TMMH-EP-04

FIG 9  
-EP  
(DIFFERENT AS SHOWN,  
OTHERWISE SAME AS FIG 1.)



STYLE	"G"	"H"	"I"	SHROUD
-01	.202[5.13]	.230[5.84]	.175[4.45]	TMMH-EP-01
-04	.149[3.78]	.177[4.50]	.119[3.02]	TMMH-EP-04
-05	.149[3.78]	.177[4.50]	.119[3.02]	TMMH-EP-04

FIG 10  
-EP-LC  
(DIFFERENT AS SHOWN,  
OTHERWISE SAME AS FIG 1.)



PACKAGING VIEW

OPTIONS	PACKAGING TUBE	PLUG
NONE, -A, -LC -M, -A-M -LC-M	PT-TMMH001-DV-P	TP-09
-EPC-M -EP-LC -ES, -EC -ES-A, -ES-LC -EL, -EL-M, -EL-A -EP, -EPC, -EBC, -EP-A-M -EP-A, -EC-M -ES-M, -ES-A-M -ES-LC-M	PT-TMMH002-DV-EX-P	TP-03

PROPRIETARY NOTE  
THIS DOCUMENT CONTAINS INFORMATION  
CONFIDENTIAL AND PROPRIETARY TO  
SAMTEC, INC. AND SHALL NOT BE REPRODUCED  
OR TRANSFERRED TO OTHER DOCUMENTS OR  
DISCLOSED TO OTHERS OR USED FOR ANY  
PURPOSE OTHER THAN THAT WHICH IT WAS  
OBTAINED WITHOUT THE EXPRESSED WRITTEN  
CONSENT OF SAMTEC, INC.



520 PARK EAST BLVD., NEW ALBANY, IN 47150  
PHONE: 812-944-6733 FAX: 812-948-5047  
e-Mail: info@SAMTEC.com code 55322

SHEET SCALE: 2:1

DESCRIPTION:  
2MM X 2MM TERMINAL STRIP ASSEMBLY

DWG. NO.  
TMMH-1XX-XX-XX-DV-XXX-XXX-MKT

BY: PURVIS 10/08/1996 SHEET 4 OF 4