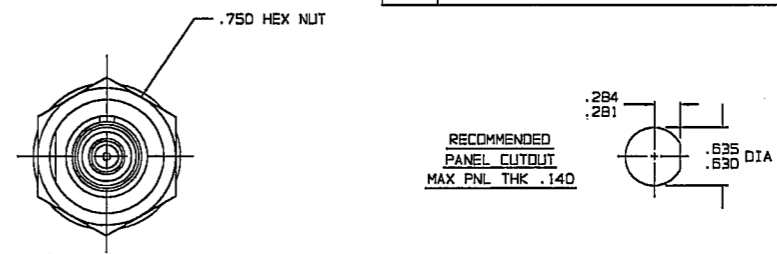
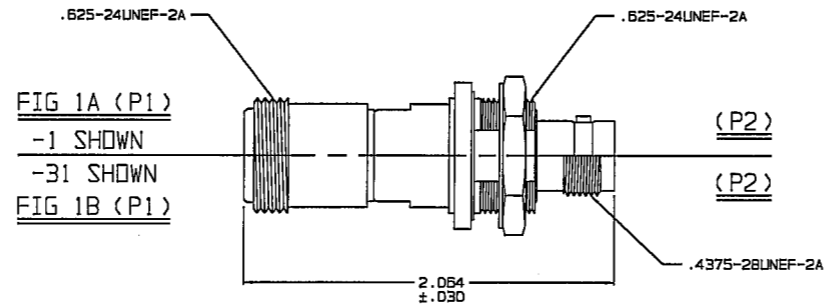
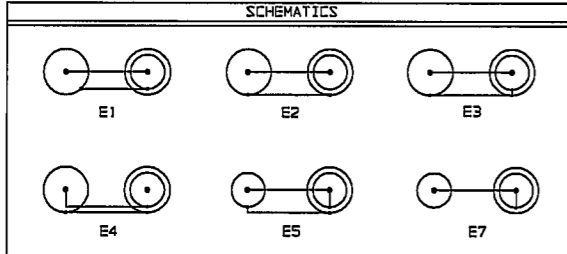


DATA CONTAINED IN THIS DOCUMENT IS PROPRIETARY TO TROMPETER ELECTRONICS INC. AND SHALL NOT BE DISCLOSED, COPIED OR USED FOR PROCUREMENT OR MANUFACTURE WITHOUT EXPRESS WRITTEN PERMISSION OF TROMPETER ELECTRONICS INC.

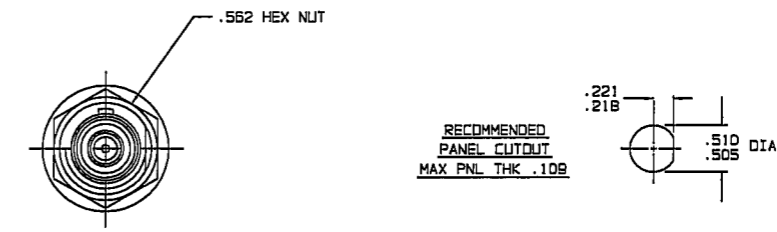
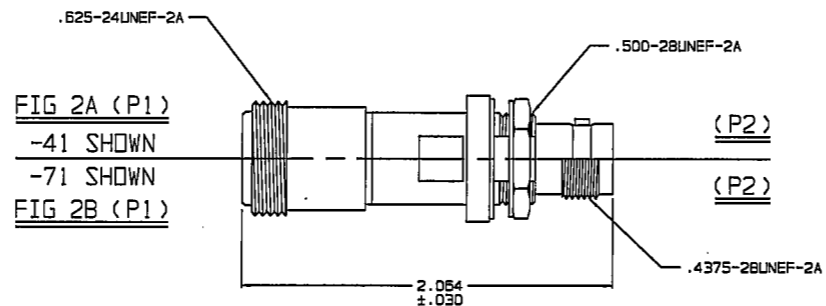
REVISIONS		12-21	SH 1
REV	DESCRIPTION	DATE	APPROVED
F	REVISED PER ECD 15907	7-7-05	BS

P2 CONN TYPE	FIG NO	P1 CONN TYPE													
		J95							UJ95						
		E1	E2	E3	E4	E5	E7	E1	E2	E3	E4	E5	E7		
BJ74	1A	-1	-2	-3	-4	-5	-181	-6	-7	-8	-9	-10	-199		
BJ74TL	1A	-11	-12	-13	-14	-15	-182	-16	-17	-18	-19	-20	-200		
BJ74FL	1A	-21	-22	-23	-24	-25	-183	-26	-27	-28	-29	-30	-201		
BJ74	1B	-31	-32	-33	-34	-35	-184	-36	-37	-38	-39	-40	-202		
BJ79	2A	-41	-42	-43	-44	-45	-185	-46	-47	-48	-49	-50	-203		
BJ79TL	2A	-51	-52	-53	-54	-55	-186	-56	-57	-58	-59	-60	-204		
BJ79FL	2A	-61	-62	-63	-64	-65	-187	-66	-67	-68	-69	-70	-205		
BJ79	2B	-71	-72	-73	-74	-75	-188	-76	-77	-78	-79	-80	-206		
CJ70	3A	-81	-82	-83	-84	-85	-189	-86	-87	-88	-89	-90	-207		
CJ70TL	3A	-91	-92	-93	-94	-95	-190	-96	-97	-98	-99	-100	-208		
CJ70FL	3A	-101	-102	-103	-104	-105	-191	-106	-107	-108	-109	-110	-209		
CJ70	3B	-111	-112	-113	-114	-115	-192	-116	-117	-118	-119	-120	-210		
PL73	4A	-121	-122	-123	-124	-125	-193	-126	-127	-128	-129	-130	-211		
PL74	4B	-131	-132	-133	-134	-135	-194	-136	-137	-138	-139	-140	-212		
PL75	4B	-141	-142	-143	-144	-145	-195	-146	-147	-148	-149	-150	-213		
PL75FL	4B	-151	-152	-153	-154	-155	-196	-156	-157	-158	-159	-160	-214		
PL375	5A	-161	-162	-163	-164	-165	-197	-166	-167	-168	-169	-170	-215		
PL71	5B	-171	-172	-173	-174	-175	-198	-176	-177	-178	-179	-180	-216		

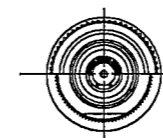
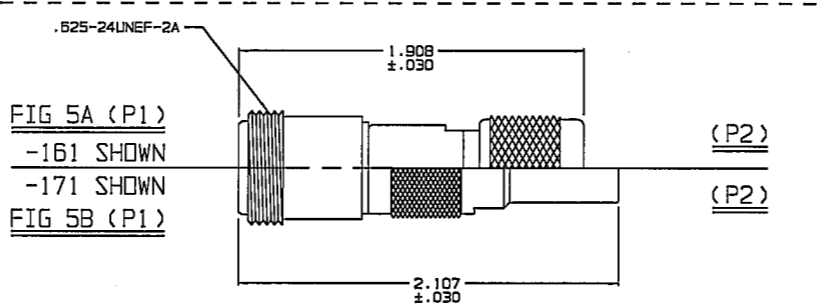
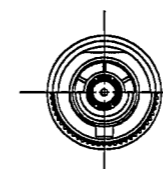
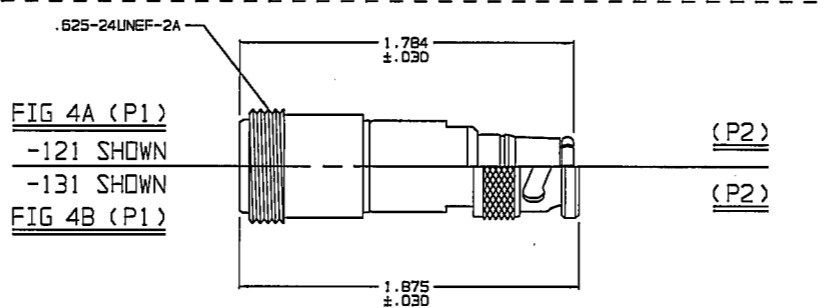
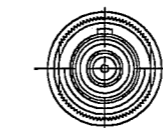
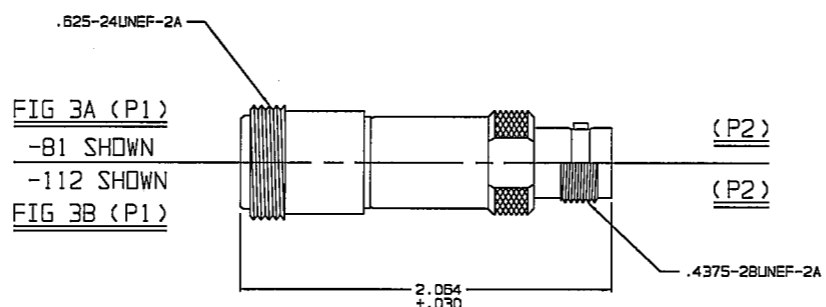
RED INDICATES ORIGINAL



RECOMMENDED PANEL CUTOUT
MAX PNL THK .140



RECOMMENDED PANEL CUTOUT
MAX PNL THK .108



- EXAMPLE OF COMPLETE MODEL NO:
AD - J95 - E1 - BJ74
ADAPTER (P1) CONN TYPE (P2) CONN TYPE SCHEMATIC
- EXAMPLE OF COMPLETE PART NO:
12-21 - 1
BASIC PART NO DASH NO
- BETWEEN SERIES ADAPTER, U/J95 TO COMPLETE "70" SERIES
- FINISH: TFS-1A (NICKEL)
- ALL DIM ARE IN INCHES

INTERPRET DRAWING PER MIL-STD-100 DIMENSIONS ARE IN INCHES AND INCLUDE FINISH THICKNESS UNLESS OTHERWISE SPECIFIED		TOL: UNLESS SPECIFIED .XX .XXX ±.005 .XXXX ANGLES ± 0° 30'		
DRAWN: AAH	DATE: 6-28-05	MATERIAL:	TITLE: ADAPTERS: U/J95 TO COMPLETE "70" SERIES	
CHECKED: [Signature]	DATE: 7/6/05	FINISH:	SIZE: B 14949	DRAWING NO.: 12-21
APPROVED: [Signature]	DATE: 7/6/05	DO NOT SCALE DWG	SCALE: 2/1	DATE: 12-16-86
NEXT ASSY:	CAD FILE NO: 12-21F			SHEET 1C