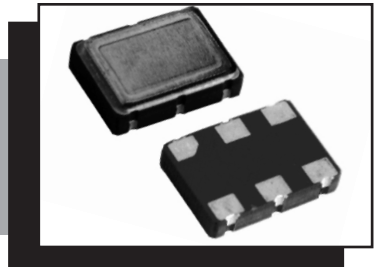


MINIATURE CERAMIC • HCMOS • SURFACE MOUNT • 5 Vdc or 3.3 Vdc
VOLTAGE-CONTROLLED CRYSTAL OSCILLATORS
ASLV and ASVV



FEATURES:

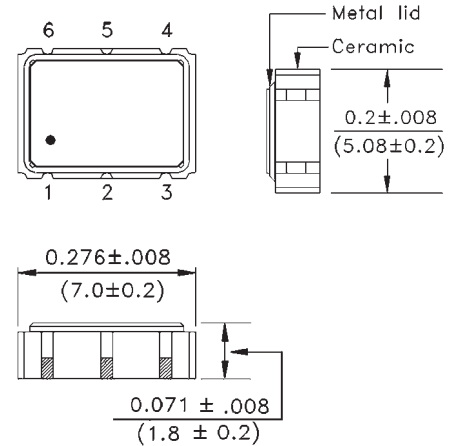
- Low Profile (1.8 mm) ceramic VCXO.
- Enable / Disable Options.
- 7.0 mm x 5.0 mm Metal Lid.
- 5Vdc or 3Vdc.
- Suitable for reflow methods.

APPLICATIONS:

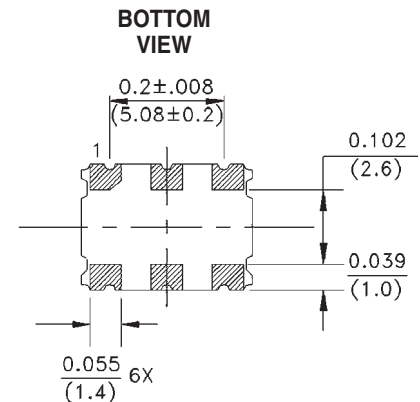
- Phase Locked Loops (PLLs)
- Synthesizers.
- Clock Recovery.

STANDARD SPECIFICATIONS

PARAMETERS	ASLV	ASVV
Frequency Range (F ₀)	8.0 MHz - 36.0 MHz	
Operating Temperature (T _{OPR})	0°C to +70°C (See Options)	
Storage Temperature (T _{STO})	-55°C to +125°C	
Frequency Stability (ΔF/F ₀)	± 50 ppm max.	
Supply Voltage (V _{dd})	5 Vdc ± 5%	3.3 Vdc ± 5%
Input Current (I _{dd})	30 mA max.	20 mA max.
Duty Cycle or Symmetry	40 / 60% max. (See Options)	
Rise and Fall Times (T _R / T _F)	8 ns max.	
Output Load	15 pF or 2 TTL	
Output Voltage (V _{OH})	0.9 * V _{dd} min.	
(V _{OL})	0.4 V _{dc} max.	
Transfer Function	Positive	
Voltage Control (V _c)	2.5 Vdc ± 2.0 V	1.65 Vdc ± 1.5 V
Frequency Deviation	± 100 ppm min.	± 80 ppm min.
Linearity	± 10% max.	
Start-up Time (T _{OSC})	10 ms max.	
Tristate Function (V _{IH})	"1" or Open: Oscillation ≥ 2.2V	
(Option "-A" ONLY) (V _{IL})	"0": (Hi Z) < 0.8V Output Disabled in high impedance	
Output Disable / Enable Time	100 ns max. (for Option "- A" ONLY)	



Dimensions: Inches (mm)



A bypass capacitor 0.01 μF is required from V_{dd} to Gnd. See page 60.

Please Inquire factory for higher frequencies.

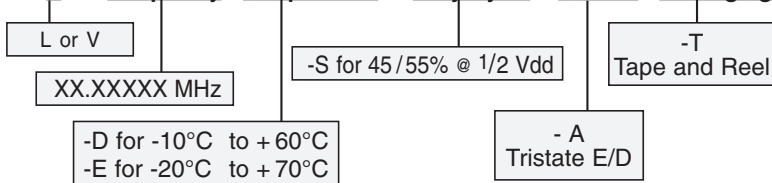
For test circuit, waveforms, please see page 67.

Environmental and mechanical specifications on page 68, Group 1.

Marking, see page 78. Tape and Reel (1,000 pcs. / reel), see pages 74-75.

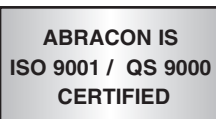
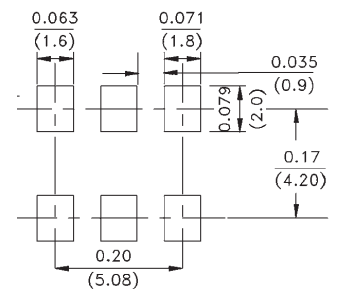
ORDERING OPTIONS

ASXV - Frequency - Temperature - Duty Cycle - Tristate - Packaging



PIN NO.	FUNCTION
1	Voltage Control Vc
2	NC or Tristate E/D
3	GND / Case
4	Output
5	N / C
6	V _{dd}

RECOMMENDED LAND PATTERN



NOTE: Left blank if standard • All specifications and markings subject to change without notice

29 Journey • Aliso Viejo, CA 92656 • USA
 (949) 448-7070 • FAX: (949) 448-8484

E-MAIL: abinfo@abracon.com • INTERNET ADDRESS: www.abracon.com

