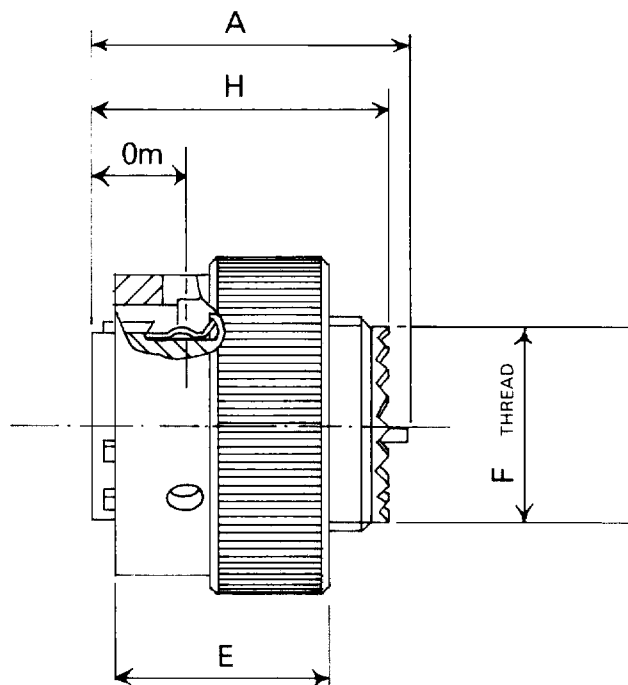
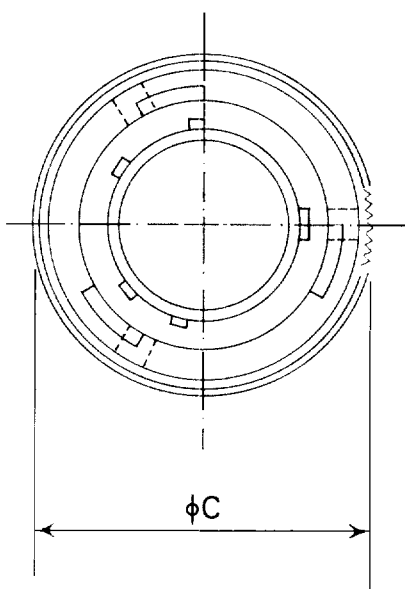
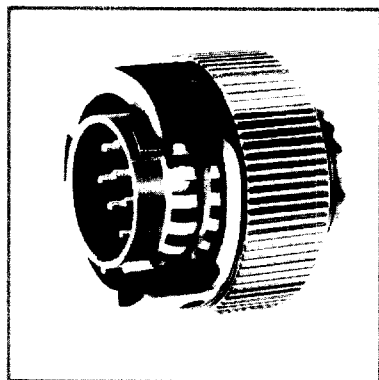


AB Style:- AB05-6100 Plug, Knurled Coupling Nut with Grounding Fingers BS Style:- C2093



- Metric - Imperial

HOUSING (SHELL) SIZE	A max.	ϕC max.	E max.	F thread	H max.	O _m min.	MASS MAX. G
				UNEF 2A		OVERLAP	
08	25.4	19.1	19.3	7/16 -28	24.4	7.3	12
	1.00	0.75	0.76		0.96	0.29	
10	25.4	21.8	19.3	9/16 -24	24.4	7.3	15
	1.00	0.86	0.76		0.96	0.29	
12	25.4	26.4	19.3	1 1/16 -24	24.4	7.3	20
	1.00	1.04	0.76		0.96	0.29	
14	25.4	30.0	19.3	1 3/16 -20	24.4	7.3	27
	1.00	1.18	0.76		0.96	0.29	
16	25.4	33.3	19.3	1 5/16 -20	24.7	7.3	35
	1.00	1.31	0.76		0.97	0.29	
18	25.4	35.6	19.3	1 7/16 -18	24.9	7.3	45
	1.00	1.40	0.76		0.98	0.29	
20	27.8	39.1	19.3	1 3/8 -18	26.2	8.9	56
	1.10	1.54	0.76		1.03	0.35	
22	27.8	42.2	19.3	1 5/8 -18	26.2	8.9	65
	1.10	1.66	0.76		1.03	0.35	
24	27.8	45.2	20.4	1 7/8 -18	28.0	8.9	80
	1.10	1.78	0.80		1.10	0.35	

● FOR OUTLINE DIMENSIONS OF CONNECTORS WITH ACCESSORIES SEE PAGE 17