

SPECIFICATIONS

Mechanical

Mating Force: 4.5Pounds max.(RJ45) 7.7Pounds max.(USB)
Unmating Force: 4.5Pounds max.(RJ45) 2.2Pounds min.(USB)
Durability: 1000 Cycles(RJ45) 1500 Cycles(USB)

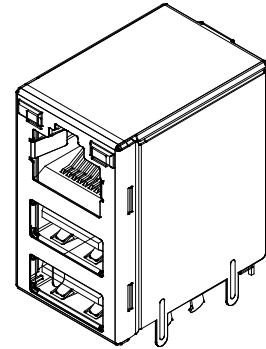
Electrical

Current Rating: 0.5A max.(RJ45) 1.0A(USB)
Dielectric Withstanding Voltage: 1000V(RJ45) 500V(USB)
Insertion Loss: -1.2dB max @1-100MHz
Return Loss: -12dB min @1-80MHz
Cross Talk: -30dB min @1-100MHz

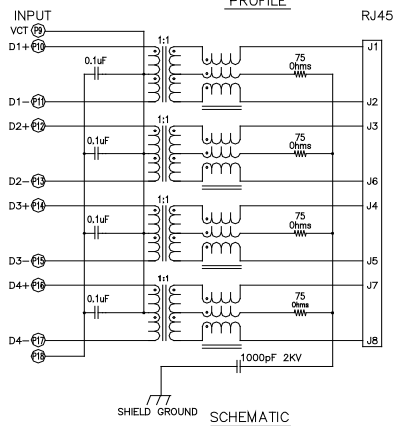
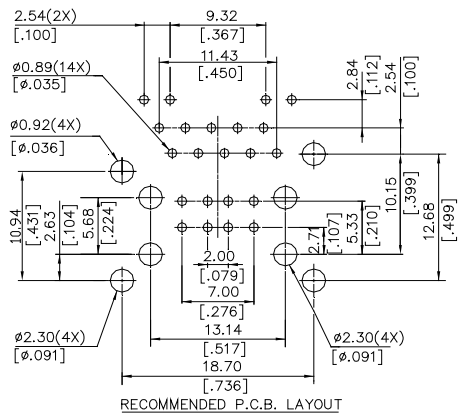
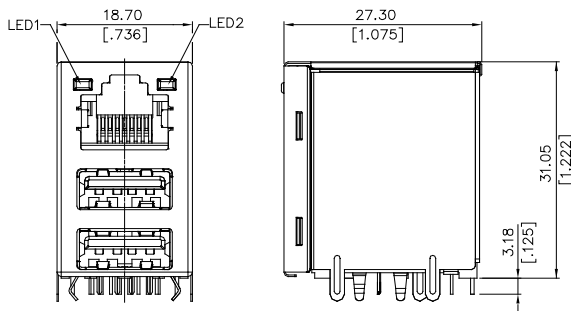
Physical

Housing: Thermoplastic, UL 94V-0 rated in Black Color
Contact: Copper Alloy
Shell: Copper Alloy
Operating Temperature: -40°C to +85°C

JFM Series
RJ45 Over Dual USB
R/A, T/H Type
1.27mm [.050"] Pitch
10/100/1000 Base-T



DRAWING



ORDERING INFORMATION

PRODUCT NO.: JFM 3 8 U 1 * - 7114 - 4 F

Series Prefix
JFM=Jack with Magnetics

Protocol Type
3=10/100/1000 Base T

Core Count
8=8 Core

Configuration
U=Combo USB

Finish Treatment
F=Lead Free

Packaging
4=Soft Tray

Extension Code

LEDS
See Notes

PCB Attachment Method
1=Solder Tail

JFM38U1H-7114-4F	19 ORANGE	20	21 GREEN	22
JFM38U1G-7114-4F	19 YELLOW	20	21 GREEN	22
JFM38U1F-7114-4F	19 GREEN	20	21 ORANGE	22
JFM38U1B-7114-4F	19 GREEN	20	21 YELLOW	22
JFM38U1A-7114-4F	19 GREEN	20	21 GREEN	22
JFM38U14-7114-4F	19 YELLOW	20	21 YELLOW	22
JFM38U13-7114-4F	19 GREEN	20	21 YELLOW	22
JFM38U12-7114-4F	19 GREEN	20	21 GREEN	22
JFM38U11-7114-4F	19 YELLOW	20	21 GREEN	22
JFM38U10-7114-4F	NONE		NONE	
P/N	LED1		LED2	