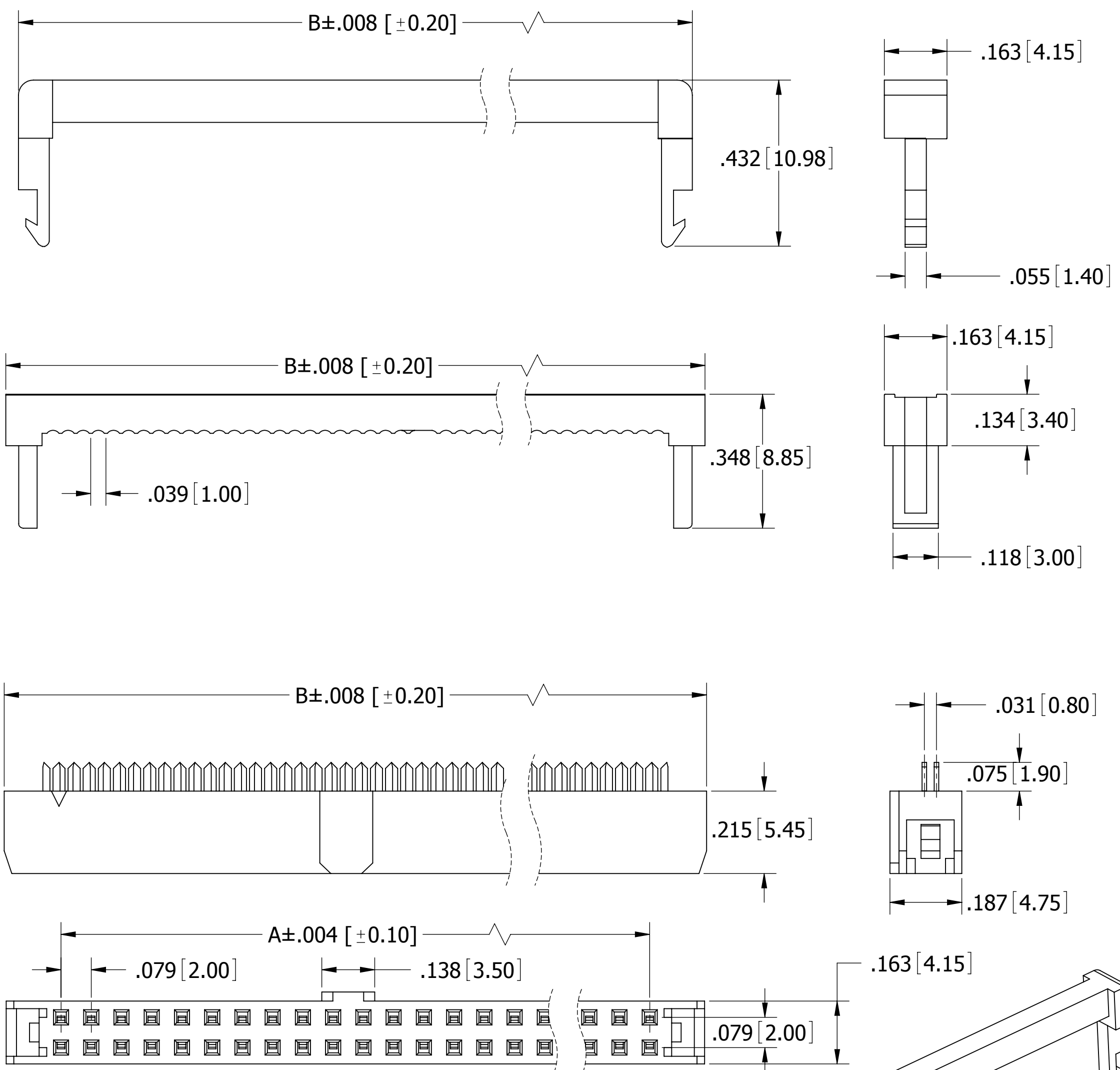


REVISIONS				
REV.	ECO. NO	DESCRIPTION	DATE	BY
A	1832	INITIAL RELEASE	10/30/2008	JH
B	1845	UPDATE TOLERANCE BLOCK, ADD DIM .163[4.15]	11/6/2008	JH
C	1909	ADD 'V' PLATING, UPDATE NOTES.	2/4/2009	JH



**PART NUMBER CODING**

**SFH213-PP N-D -ID-**

**COLOR**

BK= BLACK  
GY= GREY

**NUMBER OF POSITIONS**

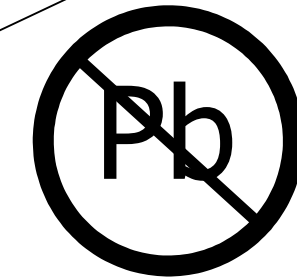
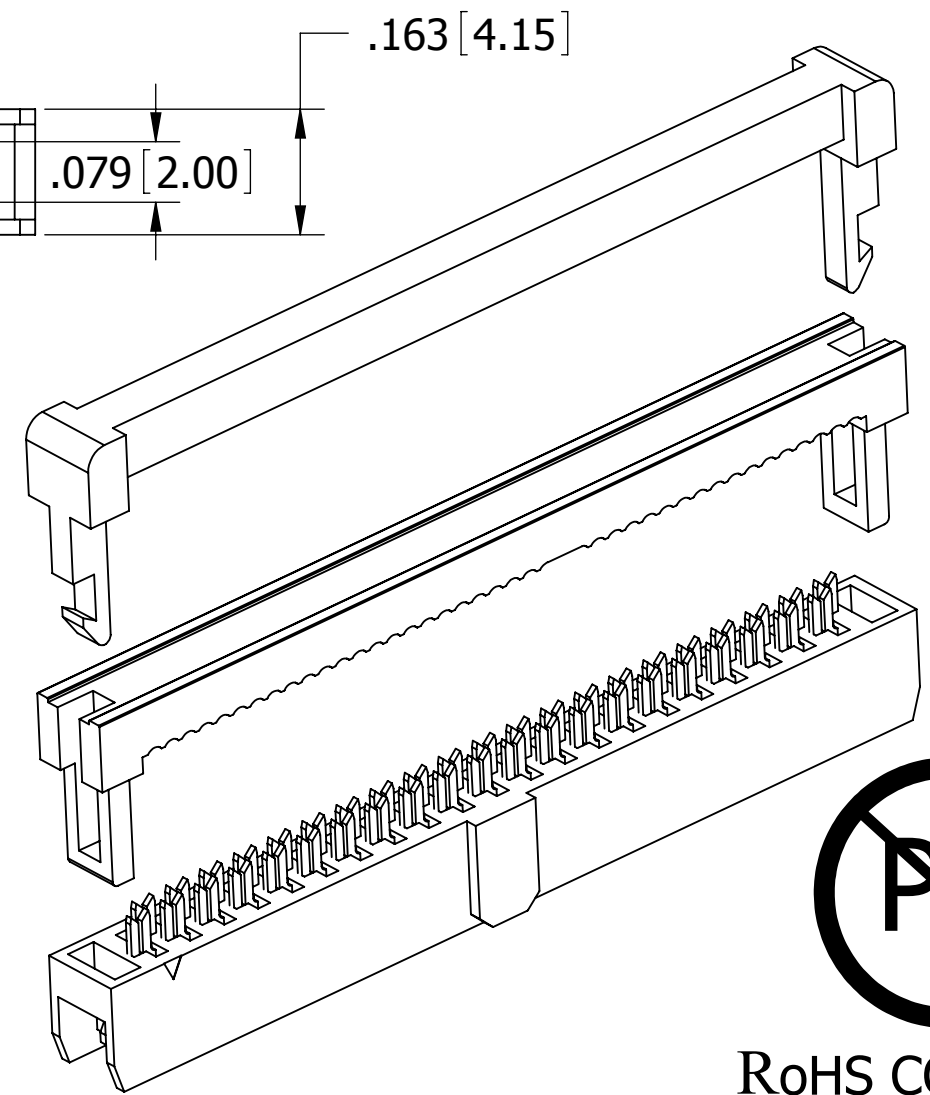
(CONTACTS PER ROW)

**PLATING**

P = GOLD FLASH OVERALL  
E = .000100" PURE TIN, MATTE, OVERALL  
V = GOLD FLASH ON CONTACT SURFACE, NICKEL ON TERMINATION.

PART NUMBER	POSITIONS/ CONTACTS	A		B	
		INCH	MM	INCH	MM
SFH213-PP_N-D03-ID-__	03/06	0.157	4.00	0.443	11.25
SFH213-PP_N-D04-ID-__	04/08	0.236	6.00	0.522	13.25
SFH213-PP_N-D05-ID-__	05/10	0.315	8.00	0.600	15.25
SFH213-PP_N-D06-ID-__	06/12	0.394	10.00	0.679	17.25
SFH213-PP_N-D07-ID-__	07/14	0.472	12.00	0.758	19.25
SFH213-PP_N-D08-ID-__	08/16	0.551	14.00	0.837	21.25
SFH213-PP_N-D09-ID-__	09/18	0.630	16.00	0.915	23.25
SFH213-PP_N-D10-ID-__	10/20	0.709	18.00	0.994	25.25
SFH213-PP_N-D11-ID-__	11/22	0.787	20.00	1.073	27.25
SFH213-PP_N-D12-ID-__	12/24	0.866	22.00	1.152	29.25
SFH213-PP_N-D13-ID-__	13/26	0.945	24.00	1.230	31.25
SFH213-PP_N-D15-ID-__	15/30	1.102	28.00	1.388	35.25
SFH213-PP_N-D17-ID-__	17/34	1.260	32.00	1.545	39.25
SFH213-PP_N-D20-ID-__	20/40	1.496	38.00	1.781	45.25
SFH213-PP_N-D22-ID-__	22/44	1.654	42.00	1.939	49.25
SFH213-PP_N-D25-ID-__	25/50	1.890	48.00	2.175	55.25
SFH213-PP_N-D30-ID-__	30/60	2.283	58.00	2.569	65.25
SFH213-PP_N-D34-ID-__	34/68	2.598	66.00	2.884	73.25

- NOTES:**
- INSULATOR MATERIAL: PBT 30% GLASS FIBER.
  - CONTACT MATERIAL: PHOSPHOR BRONZE.
  - PLATING: SEE PART NUMBER CODING.
  - OPERATING TEMPERATURE: -45 °C TO +85 °C.
  - UL FLAMMABILITY RATING: 94V-0.
  - CURRENT RATING: 1 AMP PER CONTACT..
  - INSULATION RESISTANCE: 1,000M OHMS MIN.
  - DIELECTRIC WITHSTANDING: 500 VAC
  - MATES WITH SBH21 SERIES
  - FOR FLAT CABLE CONNECTOR.



**RoHS COMPLIANT**

UNLESS OTHERWISE SPECIFIED:  
DIMENSIONS ARE IN INCHES[MM]  
TOLERANCES:  
ANGULAR: ± 30°  
PROPRIETARY INFORMATION OF SULLINS ELECTRONICS AND IS NOT TO BE REPRODUCED, USED OR DISCLOSED TO OTHERS FOR ANY PURPOSE EXCEPT AS SPECIFICALLY AUTHORIZED IN WRITING BY AN OFFICER OF SULLINS ELECTRONICS.  
SURFACE FINISH: 63 Rq  
REMOVE ALL BURRS AND SHARP EDGES .010 MAX  
INTERPRET DIMENSIONS AND GEOMETRIC TOLERANCING PER: ANSI Y14.5M-1994

DATE	NAME
10/28/08	JH

THE INFORMATION HEREIN CONTAINS PROPRIETARY INFORMATION OF SULLINS ELECTRONICS AND IS NOT TO BE REPRODUCED, USED OR DISCLOSED TO OTHERS FOR ANY PURPOSE EXCEPT AS SPECIFICALLY AUTHORIZED IN WRITING BY AN OFFICER OF SULLINS ELECTRONICS.

**SULLINS**  
CONNECTOR SOLUTIONS

DESCRIPTION  
HEADER FEMALE, .079[2.00] CC, SR

PART NUMBER  
SFH213-PP\_N-D\_-ID-\_\_

SIZE DWG. NO. REV  
C 11156 C

SCALE: NTS SHEET 1 OF 1