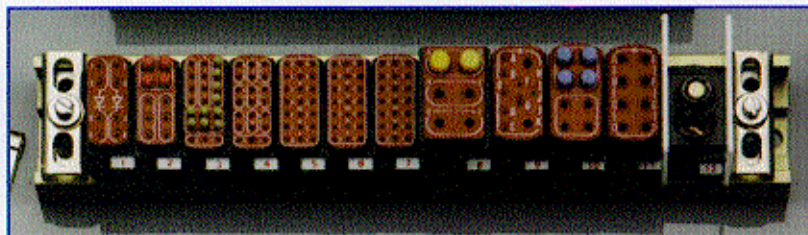
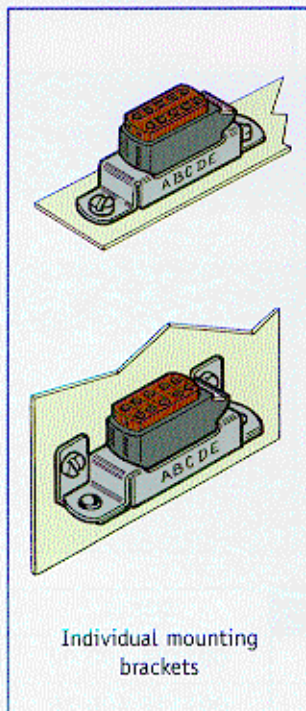




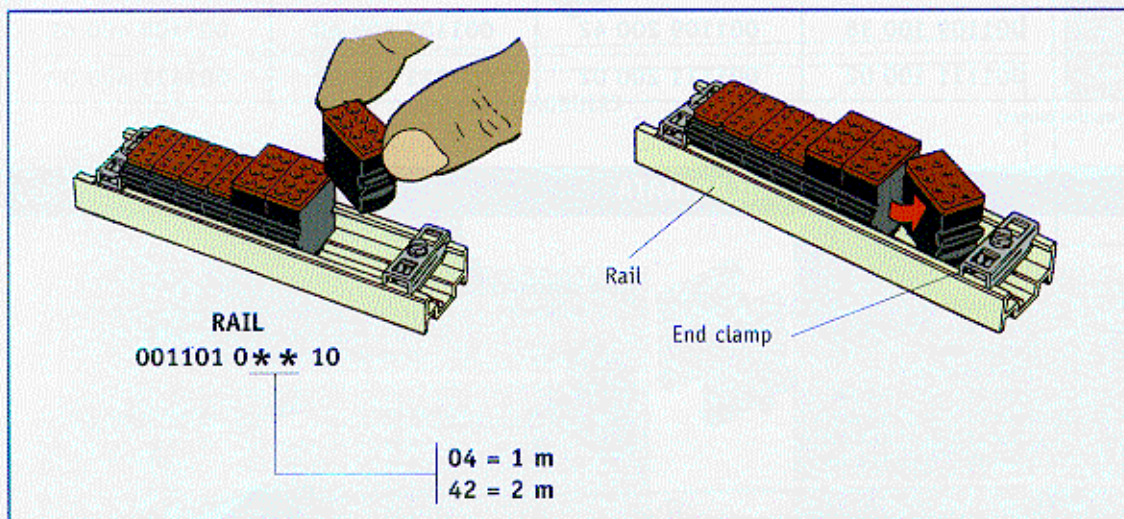
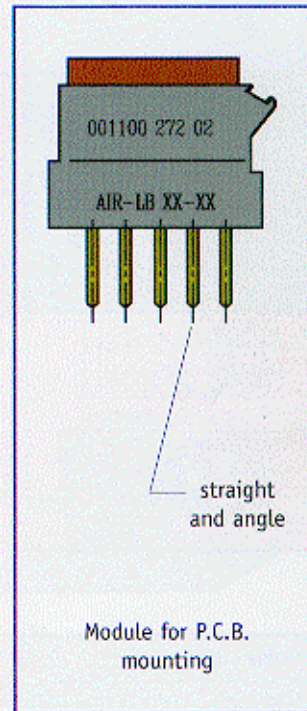
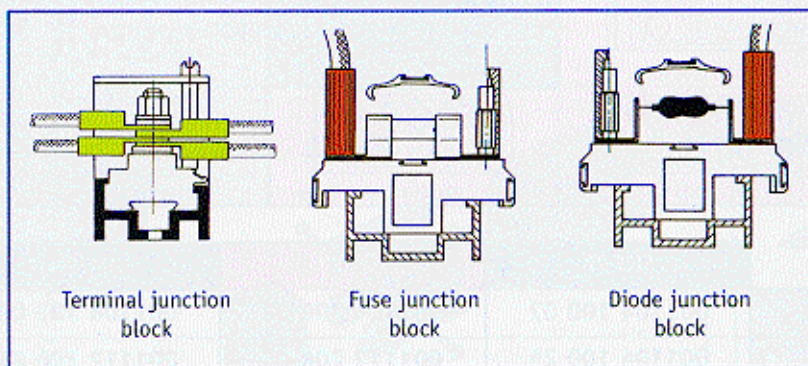
TERMINAL JUNCTION MODULES WITH FAST AND SEALED TERMINATIONS TYPE 1100

SECTION 1*

- UTE/NF C 93-462 STANDARD - Model HL 103
- VERY HIGH DENSITY CONTACT POINTS, wired with standardized tools.
- Crimp contacts @ sizes 22 - 20 - 16 - 12, from AWG 22 to 14. UTE/NF L 53-105 - NAS 1749 - EN 3155-016 Standards
- Modules assembled and disassembled by sliding them inside the metallic dissymmetrical rail.
- Sealing of modules is assured by a patented overmoulded grommet - unsealed version available without grommet.
- Points of contacts are identified alphabetically on the hermetic sealed grommet .
- Contact layouts are indicated with a white line symbolizing electrical circuits.
- Numerous interconnection schematics available in all sizes .
- AIR LB modules type 1100 are assembled on the same rail with feedback module, heterogeneous module, with inserted diodes and terminal junction blocks (BJT).
- Mixed sizes and layouts are available.
- Each module has a reference tag holder for easier identification.



Type 1100 designed and manufactured by AIR LB was the subject of UTE/NF C 93-462 model HL 103 Standard



295 Kesmark
Dollard-des-Ormeaux,
Quebec, Canada H9B 3J1
Tel.: (514) 421-2153
Fax: (514) 421-3408
www.air-lb.ca

FEEDBACK MODULES suitable for sizes 22 - 20 - 16 - 12, heterogeneous, grounding,
(Modules with P.C.B. contacts (Printed circuit board) - Consult AIR LB)

21 Contacts - Size 22 8,75 g. - H 20 (24,8 x 10)	10 Contacts - Size 20 4,85 g. - H 20 (24,8 x 10)	8 Contacts - Size 16 12,2 g. - H 25 (24,8 x 12)	8 Contacts - Size 12 19 g. - H 24,5 (24,8 x 15)	Modules with inserted diodes 8 Contacts Size 20
 001115 101 02	 001115 201 02	 001115 301 02	 001115 401 02	 001130 901 02 or 001130 905 02
 001115 102 02	 001115 202 02	 001115 302 02	 001115 402 02	 001130 902 02 or 001130 903 02
 001115 103 02	 001115 203 02	 001115 303 02	 001115 403 02	 001130 904 02
 001115 104 02	 001115 204 02	 001115 304 02	 001115 404 02	 001130 907 02
 001115 105 02	 001115 205 02	 001115 305 02	Grounding modules	Heterogeneous modules (24,8 x 12)
 001115 106 02	 001115 206 02	 001115 306 02		
 001115 207 02	 001115 208 02	 001115 308 02	10 contacts size 20 001118 202 02 - 10,5 g.	2 size 12 + 8 size 20 001115 501 02 - 10,9 g.
 001115 209 02	 001115 210 02	 001115 211 02	8 contacts size 16 001118 302 02 - 17,5 g.	2 size 12 + 4 size 16 + 12 size 20 (24,8 x 25) 001115 503 02 - 17,5 g.
 001115 209 02	 001115 210 02	 001115 211 02	2 size 12 + 8 size 20 001118 501 02 - 16,5 g.	

	SIZE 22	SIZE 20	SIZE 16	SIZE 12
CRIMP CONTACTS ®	001104 100 02	001104 200 02	001104 300 02	001104 400 02
INSERTION / EXTRACTION TOOLS*	001104 100 25	001112 200 25	001112 300 25	001112 400 25
SEALING PLUG	001109 100 38	001109 200 42	001109 300 40	001109 400 41
TESTING TOOL	001111 100 02	001111 200 02	001111 300 02	001111 400 02

*Metallic tools are also available (contact connection colours)

TECHNICAL DATA

MECHANICAL

Module	Material	:	Thermoplastic
Grommet	Material	:	Fluorinated Elastomer
Contact	Material	:	Copper alloy
Protection		:	Gold on nickel
Contact retention		:	Size 22 : 5,4 daN Size 20 : 8,9 daN Size 16 : 11,4 daN Size 12 : 13,6 daN

CLIMATIC

Operating temperature	:	-55°C +175°C
-----------------------	---	--------------

FLUID RESISTANCE

Resistance	:	In conformity with NF C 93-462 - MIL-H-5606 - MIL-L-7808 following MIL-C-26482 C, NAS 1748.
Sealing	:	IP 66 with suitable wire ø.

ELECTRICAL

Size	Section mm ²	AWG	Current rating
22	0,15-0,38	22-24-26	5 A
20	0,21-0,93	18-20-22-24	7,5 A
16	0,60-1,34	16-18-20	13 A
12	1,91-3,18	12-14	23 A

DIELECTRIC WITHSTANDING VOLTAGE : 2 000 Vrms