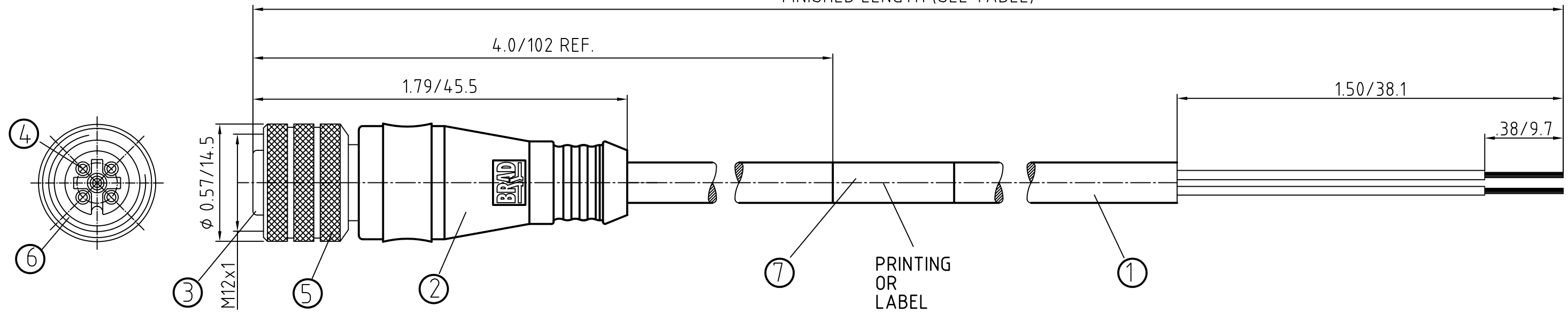
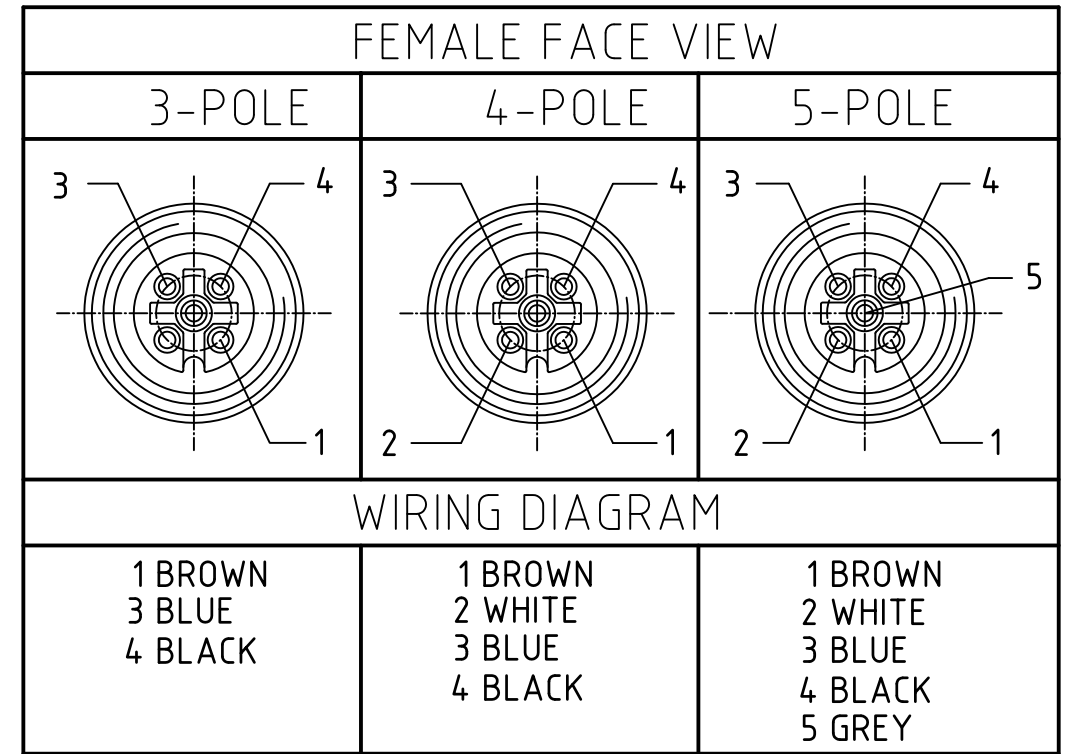


FINISHED LENGTH (SEE TABLE)



CONNECTOR SPECIFICATION:

VOLTAGE RATING	250 VAC/VDC
AMPERAGE RATING	max. 4 AMPS
PROTECTION	IP67
OPERATING TEMPERATURE	-20°C TO 105°C
UL CERTIFICATIONS	UL RECOGNIZED, FILE NO. E152210
ASSEMBLY IS	RoHS COMPLIANT



ITEM	COMPONENT	MATERIAL	FINISH
7	LABLE	MYLAR	BLACK/YELLOW
6	O-RING	VITON	RED
5	COUPLER	BRASS	NICKEL PLATED
4	PIN CONTACT	COPPER ALLOY	GOLD OVER NICKEL
3	INSERT	NYLON	BLACK
2	OVERMOLD	POLYURETHANE (PUR)	YELLOW
1	CABLE- 22/3-5 (COPPER STRANDING) 3/4/5 CONDUCT. 300V	JACKET: PVC	JACKET: YELLOW

DESCRIPTION EC NO: WEU2010-0261 DRWN: LSTEMMLE 2010/01/11 CHKD: NS APPR: NSTAUDIG 2010/01/25	QUALITY SYMBOLS ▽ = 0 ▽ = 0	GENERAL TOLERANCES (UNLESS SPECIFIED)		DIMENSION STYLE IN/MM	SCALE 2:1	DESIGN UNITS METRIC	THIRD ANGLE PROJECTION		
		mm	INCH	DRAWN BY DATE	MICRO-CHANGE COERDSET 3/4/5-POL FEMALE STR SE 22/5 YELLOW PVC CABLE				
		4 PLACES ±--- ±--- 3 PLACES ±--- ±--- 2 PLACES ±--- ±01 1 PLACE ±0.3 ±--- ANGULAR ± --- °	DRAFT WHERE APPLICABLE MUST REMAIN WITHIN DIMENSIONS		CHECKED BY DATE 2010/01/20	MOLEX INCORPORATED			
		SEE TABLE SHEET 2		APPROVED BY DATE NSTAUDIG 2010/01/25	MATERIAL NO. SD-120065-026	DOCUMENT NO.	SHEET NO. 1 OF 1		

THIS DRAWING CONTAINS INFORMATION THAT IS PROPRIETARY TO MOLEX INCORPORATED AND SHOULD NOT BE USED WITHOUT WRITTEN PERMISSION

POL	MATERIAL NUMBER	ENGINEERING NUMBER	FINISHED LENGTH
3	1200650129	803000A09M020	6.56' +3.50" -0 [2.0M +88.9 -0]

POL	MATERIAL NUMBER	ENGINEERING NUMBER	FINISHED LENGTH
4	1200650251	804000A09M003	0.98' +0.75" -0 [0.3M +19.1 -0]
4	1200651508	804000A09M005	1.64' +1.75" -0 [0.5M +44.5 -0]
4	1200650252	804000A09M010	3.28' +2.19" -0 [1.0M +55.6 -0]
4	1200650255	804000A09M020	6.56' +3.50" -0 [2.0M +88.9 -0]
4	1200650259	804000A09M030	9.84' +3.50" -0 [3.0M +88.9 -0]
4	1200650261	804000A09M040	13.12' +6.50" -0 [4.0M +165.1 -0]
4	1200650265	804000A09M050	16.40' +6.50" -0 [5.0M +165.1 -0]
4	1200650268	804000A09M060	19.69' +6.50" -0 [6.0M +165.1 -0]
4	1200650270	804000A09M070	22.97' +6.50" -0 [7.0M +165.1 -0]
4	1200650275	804000A09M080	26.25' +12.50" -0 [8.0M +317.5 -0]
4	1200650276	804000A09M090	29.53' +12.50" -0 [9.0M +317.5 -0]
4	1200650277	804000A09M100	32.81' +12.50" -0 [10.0M +317.5 -0]
4	1200650285	804000A09M150	49.21' +24.50" -0 [15.0M +622.3 -0]
4	1200650289	804000A09M200	65.62' +24.50" -0 [20.0M +622.3 -0]
4	1200650293	804000A09M250	82.02' +24.50" -0 [25.0M +622.3 -0]
4	1200650295	804000A09M300	98.43' +24.50" -0 [30.0M +622.3 -0]

POL	MATERIAL NUMBER	ENGINEERING NUMBER	FINISHED LENGTH
5	1200650471	805000A09M020	6.56' +3.5" -0 (2.0M +89mm -0)
5	1200650476	805000A09M040	13.12' +6.5" -0 (4.0M +165mm -0)
5	1200650479	805000A09M050	16.40' +6.5" -0 (5.0M +165mm -0)
5	1200650483	805000A09M060	19.69' +6.5" -0 (6.0M +165mm -0)
5	1200650487	805000A09M100	32.81' +12.5" -0] (10.0M +318mm -0)

DESCRIPTION EC NO: WEU2010-0261 DRWN: LSTEMMLE 2010/01/11 CHKD: NS APPR: NSTAUDIG 2010/01/25 REV 1	QUALITY SYMBOLS	GENERAL TOLERANCES (UNLESS SPECIFIED)		DIMENSION STYLE		SCALE	DESIGN UNITS	THIRD ANGLE PROJECTION	
	= 0 = 0	mm	INCH	IN/MM		2:1	METRIC		
	DRAFT WHERE APPLICABLE MUST REMAIN WITHIN DIMENSIONS	4 PLACES	±---	±---	DRAWN BY DATE		MICRO-CHANGE COERDSET 3/4/5-POL FEMALE STR SE 22/5 YELLOW PVC CABLE		
		3 PLACES	±---	±---	CHECKED BY DATE				
SEE TABLE	2 PLACES	±---	±01	APPROVED BY DATE		MOLEX INCORPORATED			
	1 PLACE	±0.3	±---	NSTAUDIG 2010/01/25					
SIZE A3		THIS DRAWING CONTAINS INFORMATION THAT IS PROPRIETARY TO MOLEX INCORPORATED AND SHOULD NOT BE USED WITHOUT WRITTEN PERMISSION		MATERIAL NO.		DOCUMENT NO.	SHEET NO.		
				SEE TABLE		SD-120065-026		1 OF 1	