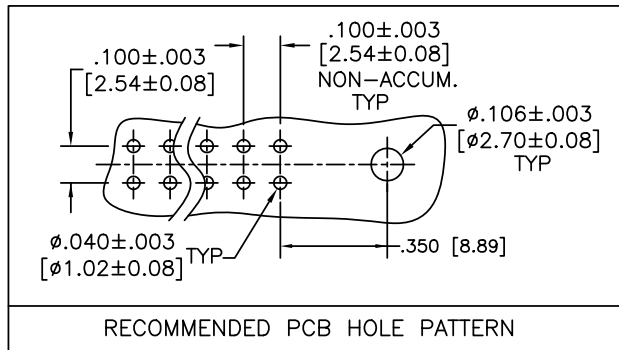
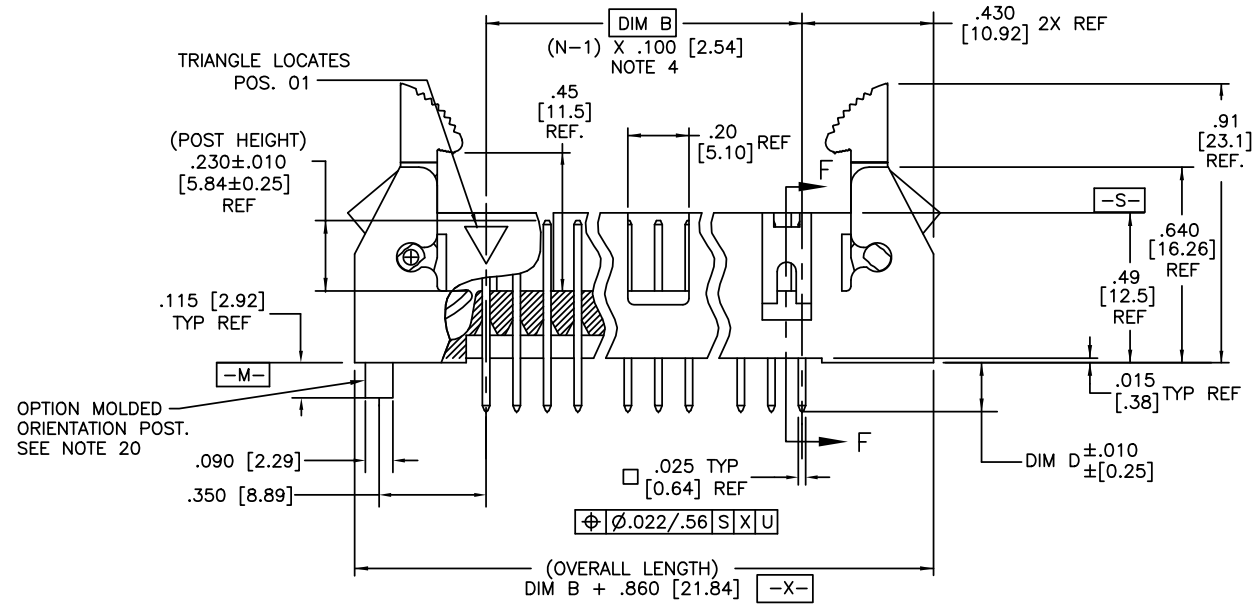
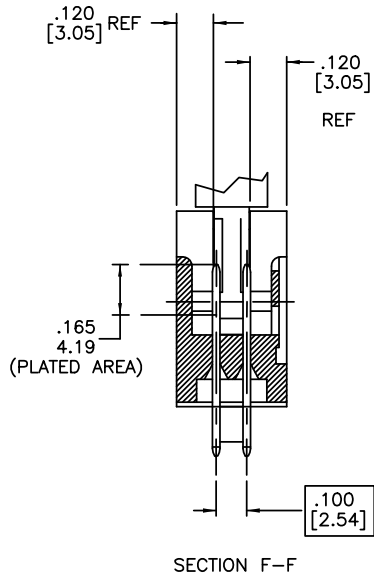
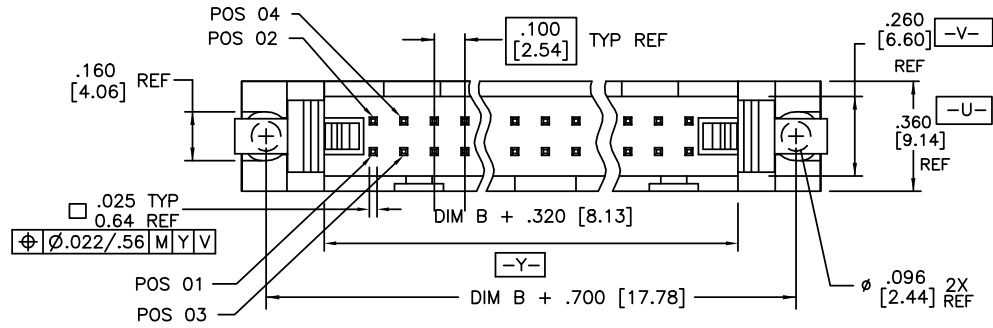


PRODUCT NUMBER  
SEE TABLE

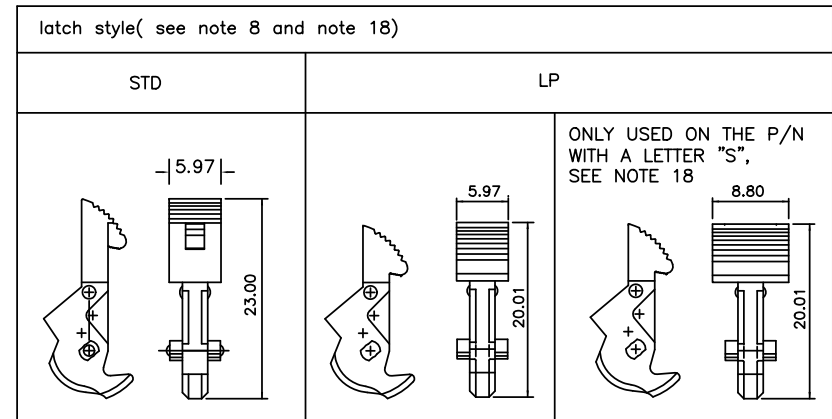
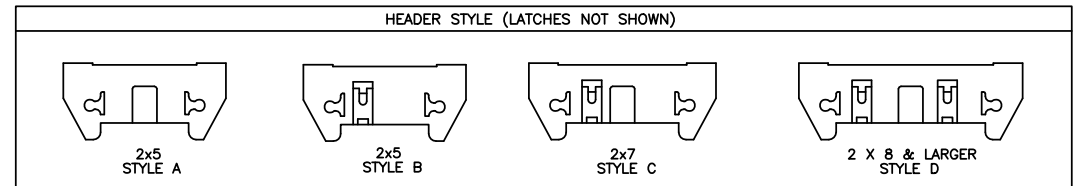


mat'l. code		surface ISO 1302 ✓		tolerance ISO 406 ISO 1101		projection INCH/MM		product family QUICKIE	
ltr		ecn no		dr		date		title	
BA		N08-0073		R.B		4/28/08		HEADER, QUICKIE	
BB		N09-0007		R.B		2009/01/12		SEA-HORSE, VERTICAL	
BC		ELX-N-012097		J.Z		2012-07-04		scale 1:1	
BD		ELX-N-13354		DCS		2012-11-02		dwg no	
								sheet 1 of 23	
								size	
								65863	
								A3	
								type	
								Product Customer Drawing	

sheet	revision	BD	BD	BD	BD	BD	BD	BD	BD	BD	BD	BD	BD	BD
index	sheet	1	2	3	4	5	6	7	8	9	10	11	12	13

NOTES:

- HOUSING MAT'L: HIGH TEMPERATURE THERMOPLASTIC. UL94V-0.  
COLOR : BLACK
- PIN MATERIAL: PHOSPHOR-BRONZE
- 3 LBS/1.36 KG MIN. RETENTION.
- TO DETERMINE DIMENSION:  
N = NUMBER OF POSITIONS.  
EXAMPLE: 10 POS., (N-1) x .100[2.54]=.900[22.87]
- RETENTIVE LEG:  
RETENTION FEATURE AVAILABLE ON CONNECTORS WITH .105/2.67, .120/3.05 OR .150/3.81 TAIL LENGTH. RETENTION P/N INCLUDES THE LETTER "R" AFTER THE EXISTING P/N.  
EXAMPLE : 65863-XXX FOR EXISTING P/N  
65863-XXXXR FOR RETENTION P/N  
RETENTION FEATURE LOCATION IS MANUFACTURERS OPTION.  
5LB/2.3KG MAX INSERTION FORCE AND .25LB./1KG MIN RETENTION FORCE PER RETENTIVE PIN USING .062/1.57 THICK CIRCUIT BOARD AND RECOMMENDED HOLE PATTERN. RETENTIVE LOCATION AT THE DISCRETION OF THE MANUFACTURER. OMIT FROM PRODUCT NUMBER IF THIS FEATURE IS NOT APPLICABLE.
- 1° MAX DRAFT PERMISSIBLE ON ALL SURFACES UNLESS OTHERWISE SPECIFIED.
- PLATING ON LEAD-IN PORTION OF PIN IS MANUFACTURING OPTION.
- L.P. LATCHES TO BE USED WITH FEMALE CONNECTOR WITHOUT STRAIN RELIEF, , STANDARD LATCHES TO BE USED WITH FEMALE CONNECTOR WITH STRAIN RELIEF.
- RECOMMENDED MOUNTING SCREW SIZE : #2-56 FILLISTER HEAD MACHINE SCREW, 1/4" LONG FOR 1/16" AND 3/32" BOARD, 5/16" LONG FOR 1/8" BOARD.
- DASH -7XX IS POLARIZED (PIN MISSING).
- UNDERPLATING: 50µ"/1.27µm Ni.
- ADD "LF" SUFFIX AT THE END OF PART NUMBER FOR LEAD FREE OPTION.
- THIS PRODUCT MEETS EUROPEAN UNION DIRECTIVES AND OTHER COUNTRY REGULATION AS DESCRIBED IN GS-22-008.
- FOR POLARIZATION, SPECIFY POSITION NUMBER (i.e.. 03= PIN 3) TO OMIT PIN. OMIT FROM PRODUCT NUMBER IF THIS FEATURE IS NOT APPLICABLE.
- THE HOUSING WILL WITHSTAND EXPOSURE TO 260°C PEAK TEMPERATURE FOR 15 SECONDS IN A WAVE SOLDER APPLICATION WITH A 1.5mm MINIMUM THICK CIRCUIT BOARD. SEE APPLICATION NOTES/PROCEDURES IF THEY ARE AVAILABLE.
- "THIS PRODUCT HAS 100% TIN PLATING IN THE INTERFACE AND HAS NOT BEEN TESTED FOR WHISKER GROWTH IN ALL INTERCONNECT ENVIRONMENTS."
- PLATING OPTIONS:  
PERFORMANCE PLATING WILL BE EITHER GOLD OR GXT ON CONTACT OR TAIL, OPTIONALLY TIN ON TAIL.
- THE PART NUMBER IN THE DASH NUMBER WITH A LETTER "S" WILL HAVE A SPECIAL SEA HORSE USED.
- LEAD FREE PLATING: 100u"~160u"/2.54u~4.06u PURE Sn.
- 65863-XXXX, P-DESIGNATE ORIENTATION POST.(SEE PAGE 23)



mat'l. code		surface ISO 1302 ✓	tolerance ISO 406 ISO 1101	projection INCH/MM	product family QUICKIE
ltr	ecn no	dr	date	tolerances unless otherwise specified	title
BD				linear XXX±.01/XXX±0.3 XXX±.005/XXX±0.13 XXX±.0020/XXX±0.051	HEADER, QUICKIE SEA-HORSE, VERTICAL
				scale 1:1	dwg no
					sheet 2 of 23 size
					65863 A3
					type Product Customer Drawing
sheet index	revision sheet				

PRODUCT NO NOTE 12,13	SIZE	LATCH NOTE 8	DIM B	DIM D	TERMINAL PLATING	STYLE
65863-001	2x5	NO	.400/10,160	.105/ 2,67	30u"/0.76u MIN (NOTE 17) OVER 50u"/1.27u Ni	A
-002				.105/ 2,67	120u"~200u"/3.04um~5.08umTIN/LEAD	
-003				.150/ 3,81	30u"/0.76u MIN (NOTE 17) OVER 50u"/1.27u Ni	
-004				.150/ 3,81	120u"~200u"/3.04um~5.08umTIN/LEAD	
-005				.675/17,15	30u"/0.76u MIN (NOTE 17) OVER 50u"/1.27u Ni	
-006	2x5		.400/10,160	.675/17,15	120u"~200u"/3.04um~5.08umTIN/LEAD	A
-007	2x7		.600/15,240	.105/ 2,67	30u"/0.76u MIN (NOTE 17) OVER 50u"/1.27u Ni	C
-008				.105/ 2,67	120u"~200u"/3.04um~5.08umTIN/LEAD	
-009				.150/ 3,81	30u"/0.76u MIN (NOTE 17) OVER 50u"/1.27u Ni	
-010				.150/ 3,81	120u"~200u"/3.04um~5.08umTIN/LEAD	
-011				.675/17,15	30u"/0.76u MIN (NOTE 17) OVER 50u"/1.27u Ni	
-012	2x7		.600/15,240	.675/17,15	120u"~200u"/3.04um~5.08umTIN/LEAD	C
-013	2x8		.700/17,780	.105/ 2,67	30u"/0.76u MIN (NOTE 17) OVER 50u"/1.27u Ni	D
-014				.105/ 2,67	120u"~200u"/3.04um~5.08umTIN/LEAD	
-015				.150/ 3,81	30u"/0.76u MIN (NOTE 17) OVER 50u"/1.27u Ni	
-016				.150/ 3,81	120u"~200u"/3.04um~5.08umTIN/LEAD	
-017				.675/17,15	30u"/0.76u MIN (NOTE 17) OVER 50u"/1.27u Ni	
-018	2x8		.700/17,780	.675/17,15	120u"~200u"/3.04um~5.08umTIN/LEAD	
-019	2x10		.900/22,860	.105/ 2,67	30u"/0.76u MIN (NOTE 17) OVER 50u"/1.27u Ni	
-020				.105/ 2,67	120u"~200u"/3.04um~5.08umTIN/LEAD	
-021				.150/ 3,81	30u"/0.76u MIN (NOTE 17) OVER 50u"/1.27u Ni	
-022				.150/ 3,81	120u"~200u"/3.04um~5.08umTIN/LEAD	
-023				.675/17,15	30u"/0.76u MIN (NOTE 17) OVER 50u"/1.27u Ni	
-024	2x10		.900/22,860	.675/17,15	120u"~200u"/3.04um~5.08umTIN/LEAD	
-025	2x13		1.200/30,480	.105/ 2,67	30u"/0.76u MIN (NOTE 17) OVER 50u"/1.27u Ni	
-026				.105/ 2,67	120u"~200u"/3.04um~5.08umTIN/LEAD	
-027				.150/ 3,81	30u"/0.76u MIN (NOTE 17) OVER 50u"/1.27u Ni	
-028				.150/ 3,81	120u"~200u"/3.04um~5.08umTIN/LEAD	
-029				.675/17,15	30u"/0.76u MIN (NOTE 17) OVER 50u"/1.27u Ni	
-030	2x13		1.200/30,480	.675/17,15	120u"~200u"/3.04um~5.08umTIN/LEAD	
	2x17		1.600/40,640	.105/ 2,67	30u"/0.76u MIN (NOTE 17) OVER 50u"/1.27u Ni	
-032				.105/ 2,67	120u"~200u"/3.04um~5.08umTIN/LEAD	
-033				.150/ 3,81	30u"/0.76u MIN (NOTE 17) OVER 50u"/1.27u Ni	
-034				.150/ 3,81	120u"~200u"/3.04um~5.08umTIN/LEAD	
-035				.675/17,15	30u"/0.76u MIN (NOTE 17) OVER 50u"/1.27u Ni	
65863-036	2x17	NO	1.600/40,640	.675/17,15	120u"~200u"/3.04um~5.08umTIN/LEAD	D

mat'l. code		surface ISO 1302 ✓	tolerance ISO 406 ISO 1101	projection 	product family QUICKIE
ltr	ecn no	dr	date	tolerances unless otherwise specified	title
BD				angles linear 0°±2'	HEADER, QUICKIE SEA-HORSE, VERTICAL
				linear XXX±.01/XXX±.03 XXX±.005/XXX±.013 XXX±.0020/XXX±.0051	INCH/MM
				dr M. CORNMAN 8/21/90	scale 1:1
				enrg M. SMYK 8/21/90	FCI
				chr M. SMYK 8/21/90	dwg no sheet3 of 23 size 65863 A3
				appd M. SMYK 8/21/90	type Product Customer Drawing
sheet index	revision sheet				

PRODUCT NO NOTE 12,13	SIZE	LATCH NOTE 8	DIM B	DIM D	TERMINAL PLATING	STYLE
65863-037	2x20	NO	1.900/48,260	.105/ 2,67	30u"/0.76u MIN (NOTE 17) OVER 50u"/1.27u Ni	D
-038				.105/ 2,67	120u"~200u"/3.04um~5.08umTIN/LEAD	
-039				.150/ 3,81	30u"/0.76u MIN (NOTE 17) OVER 50u"/1.27u Ni	
-040				.150/ 3,81	120u"~200u"/3.04um~5.08umTIN/LEAD	
-041				.675/17,15	30u"/0.76u MIN (NOTE 17) OVER 50u"/1.27u Ni	
-042	2x20		1.900/48,260	.675/17,15	120u"~200u"/3.04um~5.08umTIN/LEAD	
-043	2x25		2.400/60,960	.105/ 2,67	30u"/0.76u MIN (NOTE 17) OVER 50u"/1.27u Ni	
-044				.105/ 2,67	120u"~200u"/3.04um~5.08umTIN/LEAD	
-045				.150/ 3,81	30u"/0.76u MIN (NOTE 17) OVER 50u"/1.27u Ni	
-046				.150/ 3,81	120u"~200u"/3.04um~5.08umTIN/LEAD	
-047				.675/17,15	30u"/0.76u MIN (NOTE 17) OVER 50u"/1.27u Ni	
-048	2x25	NO	2.400/60,960	.675/17,15	120u"~200u"/3.04um~5.08umTIN/LEAD	D
-049	2x5	STD	.400/10,160	.105/ 2,67	30u"/0.76u MIN (NOTE 17) OVER 50u"/1.27u Ni	A
-050				.105/ 2,67	120u"~200u"/3.04um~5.08umTIN/LEAD	
-051				.150/ 3,81	30u"/0.76u MIN (NOTE 17) OVER 50u"/1.27u Ni	
-052				.150/ 3,81	120u"~200u"/3.04um~5.08umTIN/LEAD	
-053				.675/17,15	30u"/0.76u MIN (NOTE 17) OVER 50u"/1.27u Ni	
-054	2x5		.400/10,160	.675/17,15	120u"~200u"/3.04um~5.08umTIN/LEAD	A
-055	2x7		.600/15,240	.105/ 2,67	30u"/0.76u MIN (NOTE 17) OVER 50u"/1.27u Ni	C
-056				.105/ 2,67	120u"~200u"/3.04um~5.08umTIN/LEAD	
-057				.150/ 3,81	30u"/0.76u MIN (NOTE 17) OVER 50u"/1.27u Ni	
-058				.150/ 3,81	120u"~200u"/3.04um~5.08umTIN/LEAD	
-059				.675/17,15	30u"/0.76u MIN (NOTE 17) OVER 50u"/1.27u Ni	
-060	2x7		.600/15,240	.675/17,15	120u"~200u"/3.04um~5.08umTIN/LEAD	C
-061	2x8		.700/17,780	.105/ 2,67	30u"/0.76u MIN (NOTE 17) OVER 50u"/1.27u Ni	D
-062				.105/ 2,67	120u"~200u"/3.04um~5.08umTIN/LEAD	
-063				.150/ 3,81	30u"/0.76u MIN (NOTE 17) OVER 50u"/1.27u Ni	
-064				.150/ 3,81	120u"~200u"/3.04um~5.08umTIN/LEAD	
-065				.675/17,15	30u"/0.76u MIN (NOTE 17) OVER 50u"/1.27u Ni	
-066	2x8		.700/17,780	.675/17,15	120u"~200u"/3.04um~5.08umTIN/LEAD	
-067	2x10		.900/22,860	.105/ 2,67	30u"/0.76u MIN (NOTE 17) OVER 50u"/1.27u Ni	
-068				.105/ 2,67	120u"~200u"/3.04um~5.08umTIN/LEAD	
-069				.150/ 3,81	30u"/0.76u MIN (NOTE 17) OVER 50u"/1.27u Ni	
-070				.150/ 3,81	120u"~200u"/3.04um~5.08umTIN/LEAD	
-071				.675/17,15	30u"/0.76u MIN (NOTE 17) OVER 50u"/1.27u Ni	
65863-072	2x10	STD	.900/22,860	.675/17,15	120u"~200u"/3.04um~5.08umTIN/LEAD	D

mat'l. code		surface ISO 1302 ✓	tolerance ISO 406 ISO 1101	projection 	product family QUICKIE
ltr	ecn no	dr	date	tolerances unless otherwise specified	title
BD				angles linear 0°±2'	HEADER, QUICKIE SEA-HORSE, VERTICAL
				linear XXX±.01/XXX.03 XXX±.005/XXX.013 XXX±.0020/XXX±.0051	INCH/MM
				dr M. CORNMAN 8/21/90	scale 1:1
				enrg M. SMYK 8/21/90	FCI
				chr M. SMYK 8/21/90	dwg no sheet 4 of 23 size
				appd M. SMYK 8/21/90	65863 A3
					type Product Customer Drawing
sheet index	revision sheet				

PRODUCT NO NOTES 12,13	SIZE	LATCH NOTE 8	DIM B	DIM D	TERMINAL PLATING	STYLE
65863-073	2x13	STD	1.200/30,480	.105/ 2,67	30u"/0.76u MIN (NOTE 17) OVER 50u"/1.27u Ni	D
-074				.105/ 2,67	120u"~200u"/3.04um~5.08umTIN/LEAD	
-075				.150/ 3,81	30u"/0.76u MIN (NOTE 17) OVER 50u"/1.27u Ni	
-076				.150/ 3,81	120u"~200u"/3.04um~5.08umTIN/LEAD	
-077				.675/17,15	30u"/0.76u MIN (NOTE 17) OVER 50u"/1.27u Ni	
-078	2x13		1.200/30,480	.675/17,15	120u"~200u"/3.04um~5.08umTIN/LEAD	
-079	2x17		1.600/40,640	.105/ 2,67	30u"/0.76u MIN (NOTE 17) OVER 50u"/1.27u Ni	
-080				.105/ 2,67	120u"~200u"/3.04um~5.08umTIN/LEAD	
-081				.150/ 3,81	30u"/0.76u MIN (NOTE 17) OVER 50u"/1.27u Ni	
-082				.150/ 3,81	120u"~200u"/3.04um~5.08umTIN/LEAD	
-083				.675/17,15	30u"/0.76u MIN (NOTE 17) OVER 50u"/1.27u Ni	
-084	2x17		1.600/40,640	.675/17,15	120u"~200u"/3.04um~5.08umTIN/LEAD	
-085	2x20		1.900/48,260	.105/ 2,67	30u"/0.76u MIN (NOTE 17) OVER 50u"/1.27u Ni	
-086				.105/ 2,67	120u"~200u"/3.04um~5.08umTIN/LEAD	
-087				.150/ 3,81	30u"/0.76u MIN (NOTE 17) OVER 50u"/1.27u Ni	
-088				.150/ 3,81	120u"~200u"/3.04um~5.08umTIN/LEAD	
-089				.675/17,15	30u"/0.76u MIN (NOTE 17) OVER 50u"/1.27u Ni	
-090	2x20		1.900/48,260	.675/17,15	120u"~200u"/3.04um~5.08umTIN/LEAD	
-091	2x25		2.400/60,960	.105/ 2,67	30u"/0.76u MIN (NOTE 17) OVER 50u"/1.27u Ni	
-092				.105/ 2,67	120u"~200u"/3.04um~5.08umTIN/LEAD	
-093				.150/ 3,81	30u"/0.76u MIN (NOTE 17) OVER 50u"/1.27u Ni	
-094				.150/ 3,81	120u"~200u"/3.04um~5.08umTIN/LEAD	
-095				.675/17,15	30u"/0.76u MIN (NOTE 17) OVER 50u"/1.27u Ni	
-096	2x25	STD	2.400/60,960	.675/17,15	120u"~200u"/3.04um~5.08umTIN/LEAD	
-097	2x30	NO	2.900/73,660	.105/ 2,67	30u"/0.76u MIN (NOTE 17) OVER 50u"/1.27u Ni	
-098				.105/ 2,67	120u"~200u"/3.04um~5.08umTIN/LEAD	
-099				.150/ 3,81	30u"/0.76u MIN (NOTE 17) OVER 50u"/1.27u Ni	
-100				.150/ 3,81	120u"~200u"/3.04um~5.08umTIN/LEAD	
-101				.675/17,15	30u"/0.76u MIN (NOTE 17) OVER 50u"/1.27u Ni	
-102		NO		.675/17,15	120u"~200u"/3.04um~5.08umTIN/LEAD	
-103		STD		.105/ 2,67	30u"/0.76u MIN (NOTE 17) OVER 50u"/1.27u Ni	
-104				.105/ 2,67	120u"~200u"/3.04um~5.08umTIN/LEAD	
-105				.150/ 3,81	30u"/0.76u MIN (NOTE 17) OVER 50u"/1.27u Ni	
-106				.150/ 3,81	120u"~200u"/3.04um~5.08umTIN/LEAD	
-107				.675/17,15	30u"/0.76u MIN (NOTE 17) OVER 50u"/1.27u Ni	
65863-108	2x30	STD	2.900/73,660	.675/17,15	120u"~200u"/3.04um~5.08umTIN/LEAD	D

mat'l. code		surface ISO 1302 ✓	tolerance ISO 406 ISO 1101	projection 	product family QUICKIE
ltr	ecn no	dr	date	tolerances unless otherwise specified	title
BD				linear XXX±.01/XXX.3 XXX±.005/XXX.013 XXX±.0020/XXX±.0051	HEADER, QUICKIE SEA-HORSE, VERTICAL
				0°±2'	INCH/MM
				dr M. CORNMAN 8/21/90	scale 1:1
				enrg M. SMYK 8/21/90	FCI
				chr M. SMYK 8/21/90	dwg no sheet 5 of 23 size
				appd M. SMYK 8/21/90	65863 A3
					type Product Customer Drawing
sheet index	revision sheet				

PRODUCT NO NOTE 12,13	SIZE	LATCH NOTE 8	DIM B	DIM D	TERMINAL PLATING	STYLE
65863-109	2x5	NO	.400/10,160	.105/ 2,67	30u"/0.76u MIN (NOTE 17) OVER 50u"/1.27u Ni	A
-110	2x7		.600/15,240			C
-111	2x8		.700/17,780			D
-112	2x10		.900/22,860			
-113	2x13		1.200/30,480			
-114	2x17		1.600/40,640			
-115	2x20		1.900/48,260			
-116	2x25		2.400/60,960			
-117	2x30	NO	2.900/73,660			D
-118	2x5	STD	.400/10,160			A
-119	2x7		.600/15,240			C
-120	2x8		.700/17,780			D
-121	2x10		.900/22,860			
-122	2x13		1.200/30,480			
-123	2x17		1.600/40,640			
-124	2x20		1.900/48,260			
-125	2x25		2.400/60,960			
-126	2x30	STD	2.900/73,660	.105/ 2,67		
-127	2x20	NO	1.900/48,260	.150/ 3,81		
-128	2x20	STD	1.900/48,260			D
-129	2x5	NO	.400/10,160			A
-130	2x7		.600/15,240			C
-131	2x8		.700/17,780			D
-132	2x10		.900/22,860			
-133	2x13		1.200/30,480			
-134	2x17		1.600/40,640			
-135	2x20		1.900/48,260			
-136	2x25		2.400/60,960			
-137	2x30	NO	2.900/73,660			D
-138	2x5	STD	.400/10,160			A
-139	2x7		.600/15,240			C
-140	2x8		.700/17,780			D
-141	2x10		.900/22,860			
-142	2x13		1.200/30,480			
-143	2x17		1.600/40,640			
65863-144	2x20	STD	1.900/48,260	.150/ 3,81	30u"/0.76u MIN (NOTE 17) OVER 50u"/1.27u Ni	D

mat'l. code		surface ISO 1302 ✓	tolerance ISO 406 ISO 1101	projection 	product family QUICKIE
ltr	ecn no	dr	date	tolerances unless otherwise specified	title HEADER, QUICKIE SEA-HORSE, VERTICAL
BD				angles linear 0°±2°	
				linear XXX±.01/XXX0.3 XXX±.005/XXX0.13 XXX±.0020/XXX±0.051	INCH/MM scale 1:1
		dr	M. CORNMAN	8/21/90	dwg no sheet 6 of 23 size 65863 A3
		enr	M. SMYK	8/21/90	type Product Customer Drawing
		chr	M. SMYK	8/21/90	
		appd	M. SMYK	8/21/90	
sheet index	revision sheet				



Copyright FCI

A

B

C

D

A

B

C

D

PRODUCT NO NOTE 12,13	SIZE	LATCH NOTE 8	DIM B	DIM D	TERMINAL PLATING	STYLE
65863-145	2x25	STD	2.400/60,960	.150/ 3,81	30u"/0.76u MIN (NOTE 17) OVER 50u"/1.27u Ni	D
-146	2x30	STD	2.900/73,660	.150/ 3,81	30u"/0.76u MIN (NOTE 17) OVER 50u"/1.27u Ni	D
-147	2x5	NO	.400/10,160	.675/17,15	15u"/0.38u MIN (NOTE 17) OVER 50u"/1.27u Ni	A
-148	2x7		.600/15,240			C
-149	2x8		.700/17,780			D
-150	2x10		.900/22,860			
-151	2x13		1.200/30,480			
-152	2x17		1.600/40,640			
-153	2x20		1.900/48,260			
-154	2x25		2.400/60,960			
-155	2x30	NO	2.900/73,660			D
-156	2x5	STD	.400/10,160			A
-157	2x7		.600/15,240			C
-158	2x8		.700/17,780			D
-159	2x10		.900/22,860			
-160	2x13		1.200/30,480			
-161	2x17		1.600/40,640			
-162	2x20		1.900/48,260			
-163	2x25		2.400/60,960			
-164	2x30	STD	2.900/73,660	.675/17,15	15u"/0.38u MIN (NOTE 17) OVER 50u"/1.27u Ni	D
-165	2x5	LP	.400/10,160	.105/ 2,67	30u"/0.76u MIN (NOTE 17) OVER 50u"/1.27u Ni	A
-166				.105/ 2,67	120u"~200u"/3.04um~5.08umTIN/LEAD	NOTE 16,19
-167				.150/ 3,81	30u"/0.76u MIN (NOTE 17) OVER 50u"/1.27u Ni	
-168				.150/ 3,81	120u"~200u"/3.04um~5.08umTIN/LEAD	NOTE 16,19
-169				.675/17,15	30u"/0.76u MIN (NOTE 17) OVER 50u"/1.27u Ni	
-170	2x5		.400/10,160	.675/17,15	120u"~200u"/3.04um~5.08umTIN/LEAD	NOTE 16,19
-171	2x7		.600/15,240	.105/ 2,67	30u"/0.76u MIN (NOTE 17) OVER 50u"/1.27u Ni	C
-172				.105/ 2,67	120u"~200u"/3.04um~5.08umTIN/LEAD	NOTE 16,19
-173				.150/ 3,81	30u"/0.76u MIN (NOTE 17) OVER 50u"/1.27u Ni	
-174				.150/ 3,81	120u"~200u"/3.04um~5.08umTIN/LEAD	NOTE 16,19
-175				.675/17,15	30u"/0.76u MIN (NOTE 17) OVER 50u"/1.27u Ni	
-176	2x7		.600/15,240	.675/17,15	120u"~200u"/3.04um~5.08umTIN/LEAD	C
-177	2x8		.700/17,780	.105/ 2,67	30u"/0.76u MIN (NOTE 17) OVER 50u"/1.27u Ni	D
-178	2x8		.700/17,780	.105/ 2,67	120u"~200u"/3.04um~5.08umTIN/LEAD	D
-179	2x8		.700/17,780	.150/ 3,81	30u"/0.76u MIN (NOTE 17) OVER 50u"/1.27u Ni	D
65863-180	2x8	LP	.700/17,780	.150/ 3,81	120u"~200u"/3.04um~5.08umTIN/LEAD	NOTE 16,19

mat'l. code		surface ISO 1302 ✓	tolerance ISO 406 ISO 1101	projection 	product family QUICKIE
ltr	ecn no	dr	date	tolerances unless otherwise specified	title
BD				linear XXX±.01/XXX.3 XXX±.005/XXX.013 XXX±.0020/XXX±.051	HEADER, QUICKIE SEA-HORSE, VERTICAL
				angles 0°±2'	INCH/MM scale 1:1
		dr	M. CORNMAN	8/21/90	dwg no
		enrg	M. SMYK	8/21/90	sheet 7 of 23 size
		chr	M. SMYK	8/21/90	65863
		appd	M. SMYK	8/21/90	A3
					type Product Customer Drawing
sheet index	revision sheet				

PRODUCT NO NOTE 12,13	SIZE	LATCH NOTE 8	DIM B	DIM D	TERMINAL PLATING	STYLE
65863-181	2x8	LP	.700/17,780	.675/17,15	30u"/0.76u MIN (NOTE 17) OVER 50u"/1.27u Ni	D
-182	2x8		.700/17,780	.675/17,15	120u"~200u"/3.04um~5.08umTIN/LEAD	
-183	2x10		.900/22,860	.105/ 2,67	30u"/0.76u MIN (NOTE 17) OVER 50u"/1.27u Ni	
-184				.105/ 2,67	120u"~200u"/3.04um~5.08umTIN/LEAD	
-185				.150/ 3,81	30u"/0.76u MIN (NOTE 17) OVER 50u"/1.27u Ni	
-186				.150/ 3,81	120u"~200u"/3.04um~5.08umTIN/LEAD	
-187				.675/17,15	30u"/0.76u MIN (NOTE 17) OVER 50u"/1.27u Ni	
-188	2x10		.900/22,860	.675/17,15	120u"~200u"/3.04um~5.08umTIN/LEAD	
-189	2x13		1.200/30,480	.105/ 2,67	30u"/0.76u MIN (NOTE 17) OVER 50u"/1.27u Ni	
-190				.105/ 2,67	120u"~200u"/3.04um~5.08umTIN/LEAD	
-191				.150/ 3,81	30u"/0.76u MIN (NOTE 17) OVER 50u"/1.27u Ni	
-192				.150/ 3,81	120u"~200u"/3.04um~5.08umTIN/LEAD	
-193				.675/17,15	30u"/0.76u MIN (NOTE 17) OVER 50u"/1.27u Ni	
-194	2x13		1.200/30,480	.675/17,15	120u"~200u"/3.04um~5.08umTIN/LEAD	
-195	2x17		1.600/40,640	.105/ 2,67	30u"/0.76u MIN (NOTE 17) OVER 50u"/1.27u Ni	
-196				.105/ 2,67	120u"~200u"/3.04um~5.08umTIN/LEAD	
-197				.150/ 3,81	30u"/0.76u MIN (NOTE 17) OVER 50u"/1.27u Ni	
-198				.150/ 3,81	120u"~200u"/3.04um~5.08umTIN/LEAD	
-199				.675/17,15	30u"/0.76u MIN (NOTE 17) OVER 50u"/1.27u Ni	
-200	2x17		1.600/40,640	.675/17,15	120u"~200u"/3.04um~5.08umTIN/LEAD	
-201	2x20		1.900/48,260	.105/ 2,67	30u"/0.76u MIN (NOTE 17) OVER 50u"/1.27u Ni	
-202				.105/ 2,67	120u"~200u"/3.04um~5.08umTIN/LEAD	
-203				.150/ 3,81	30u"/0.76u MIN (NOTE 17) OVER 50u"/1.27u Ni	
-204				.150/ 3,81	120u"~200u"/3.04um~5.08umTIN/LEAD	
-205				.675/17,15	30u"/0.76u MIN (NOTE 17) OVER 50u"/1.27u Ni	
-206	2x20		1.900/48,260	.675/17,15	120u"~200u"/3.04um~5.08umTIN/LEAD	
-207	2x25		2.400/60,960	.105/ 2,67	30u"/0.76u MIN (NOTE 17) OVER 50u"/1.27u Ni	
-208				.105/ 2,67	120u"~200u"/3.04um~5.08umTIN/LEAD	
-209				.150/ 3,81	30u"/0.76u MIN (NOTE 17) OVER 50u"/1.27u Ni	
-210				.150/ 3,81	120u"~200u"/3.04um~5.08umTIN/LEAD	
-211				.675/17,15	30u"/0.76u MIN (NOTE 17) OVER 50u"/1.27u Ni	
-212	2x25		2.400/60,960	.675/17,15	120u"~200u"/3.04um~5.08umTIN/LEAD	
-213	2x30		2.900/73,660	.105/ 2,67	30u"/0.76u MIN (NOTE 17) OVER 50u"/1.27u Ni	
-214	2x30		2.900/73,660	.105/ 2,67	120u"~200u"/3.04um~5.08umTIN/LEAD	
-215	2x30		2.900/73,660	.150/ 3,81	30u"/0.76u MIN (NOTE 17) OVER 50u"/1.27u Ni	
65863-216	2x30	LP	2.900/73,660	.150/ 3,81	120u"~200u"/3.04um~5.08umTIN/LEAD	D

mat'l. code		surface ISO 1302 ✓	tolerance ISO 406 ISO 1101	projection 	product family QUICKIE
ltr	ecn no	dr	date	tolerances unless otherwise specified	title
BD				angles linear XXX±.01/XXX±.03 XXX±.005/XXX±.013 XXX±.0020/XXX±.0051	HEADER, QUICKIE SEA-HORSE, VERTICAL
				0±2'	INCH/MM
				dr M. CORNMAN 8/21/90	scale 1:1
				enrg M. SMYK 8/21/90	FCI
				chr M. SMYK 8/21/90	dwg no sheet 8 of 23 size
				appd M. SMYK 8/21/90	65863 A3
					type Product Customer Drawing
sheet index	revision sheet				



PRODUCT NO NOTES 12,13	SIZE	LATCH NOTE 8	DIM B	DIM D	TERMINAL PLATING	STYLE
65863-217	2x30	LP	2.900/73,660	.675/17,15	30u"/0.76u MIN (NOTE 17) OVER 50u"/1.27u Ni	D
-218	2x30		2.900/73,660	.675/17,15	120u"~200u"/3.04um~5.08umTIN/LEAD	D
-219	2x5		.400/10,160	.105/ 2,67	30u"/0.76u MIN (NOTE 17) OVER 50u"/1.27u Ni	A
-220	2x7		.600/15,240			C
-221	2x8		.700/17,780			D
-222	2x10		.900/22,860			
-223	2x13		1.200/30,480			
-224	2x17		1.600/40,640			
-225	2x20		1.900/48,260			
-226	2x25		2.400/60,960			
-227	2x30		2.900/73,660	.105/ 2,67		
-228	2x20		1.900/48,260	.150/ 3,81		D
-229	2x5		.400/10,160			A
-230	2x7		.600/15,240			C
-231	2x8		.700/17,780			D
-232	2x10		.900/22,860			
-233	2x13		1.200/30,480			
-234	2x17		1.600/40,640			
-235	2x20		1.900/48,260			
-236	2x25		2.400/60,960			
-237	2x30		2.900/73,660	.150/ 3,81	30u"/0.76u MIN (NOTE 17) OVER 50u"/1.27u Ni	D
-238	2x5		.400/10,160	.675/17,15	15u"/0.38u MIN (NOTE 17) OVER 50u"/1.27u Ni	A
-239	2x7		.600/15,240			C
-240	2x8		.700/17,780			D
-241	2x10		.900/22,860			
-242	2x13		1.200/30,480			
-243	2x17		1.600/40,640			
-244	2x20		1.900/48,260			
-245	2x25		2.400/60,960			
-246	2x30	LP	2.900/73,660	.675/17,15	15u"/0.38u MIN (NOTE 17) OVER 50u"/1.27u Ni	D
-247	2x5	NO	.400/10,160	.105/ 2,67	30u"/0.76u MIN (NOTE 17) OVER 50u"/1.27u Ni	A
-248	2x7		.600/15,240			C
-249	2x8		.700/17,780			D
-250	2x10		.900/22,860			D
-251	2x13		1.200/30,480			D
65863-252	2x17	NO	1.600/40,640	.105/ 2,67	30u"/0.76u MIN (NOTE 17) OVER 50u"/1.27u Ni	D

NOTE 16,19

mat'l. code		surface ISO 1302 <input checked="" type="checkbox"/>		tolerance ISO 406 ISO 1101		projection 		product family QUICKIE	
ltr		ecn no		dr		date		title	
BD								HEADER, QUICKIE SEA-HORSE, VERTICAL	
								INCH/MM	
								scale 1:1	
								FCJ	
				dr		M. CORNMAN		8/21/90	
				enrg		M. SMYK		8/21/90	
				chr		M. SMYK		8/21/90	
				appd		M. SMYK		8/21/90	
sheet index		revision sheet						dwg no 65863	
								sheet 9 of 23 size A3	
								type Product Customer Drawing	

PRODUCT NO NOTE 12,13	SIZE	LATCH NOTE 8	DIM B	DIM D	TERMINAL PLATING	STYLE
65863-253	2x20	NO	1.900/48,260	.105/ 2,67	30u"/0.76u MIN (NOTE 17) OVER 50u"/1.27u Ni	D
-254	2x25	↑	2.400/60,960	.105/ 2,67		D
-255	2x30		2.900/73,660	.105/ 2,67		D
-256	2x5		.400/10,160	.675/17,15		A
-257	2x7		.600/15,240			C
-258	2x8		.700/17,780			D
-259	2x10		.900/22,860			↑
-260	2x13		1.200/30,480			
-261	2x17		1.600/40,640			
-262	2x20		1.900/48,260			↓
-263	2x25	↓	2.400/60,960			↓
-264	2x30	NO	2.900/73,660	.675/17,15		D
-265	2x5	STD	.400/10,160	.105/ 2,67		A
-266	2x7	↑	.600/15,240			C
-267	2x8		.700/17,780			D
-268	2x10		.900/22,860			↑
-269	2x13		1.200/30,480			
-270	2x17		1.600/40,640			
-271	2x20		1.900/48,260			↓
-272	2x25		2.400/60,960			↓
-273	2x30		2.900/73,660	.105/ 2,67		D
-274	2x5		.400/10,160	.675/17,15		A
-275	2x7		.600/15,240			C
-276	2x8		.700/17,780			D
-277	2x10		.900/22,860			↑
-278	2x13		1.200/30,480			
-279	2x17		1.600/40,640			
-280	2x20		1.900/48,260			↓
-281	2x25	↓	2.400/60,960			↓
-282	2x30	STD	2.900/73,660	.675/17,15		D
-283	2x5	LP	.400/10,160	.105/ 2,67		A
-284	2x7	↑	.600/15,240			C
-285	2x8		.700/17,780			D
-286	2x10		.900/22,860			D
-287	2x13	↓	1.200/30,480			D
65863-288	2x17	LP	1.600/40,640	.105/ 2,67	30u"/0.76u MIN (NOTE 17) OVER 50u"/1.27u Ni	D

mat'l. code		surface ISO 1302 ✓	tolerance ISO 406 ISO 1101	projection 	product family QUICKIE
ltr	ecn no	dr	date	tolerances unless otherwise specified	title
BD				linear XXX±.01/XXX.3 XXXX±.005/XXXX.13 XXXX±.0020/XXXX.051	HEADER, QUICKIE SEA-HORSE, VERTICAL
				angles 0°±2'	INCH/MM
				dr	scale 1:1
				enr	M. CORNMAN 8/21/90
				chr	M. SMYK 8/21/90
				appd	M. SMYK 8/21/90
sheet index	revision sheet				dwg no 65863 sheet 10 of 22 size A3
					type Product Customer Drawing

PRODUCT NO NOTE 12,13	SIZE	LATCH NOTE 8	DIM B	DIM D	TERMINAL PLATING	STYLE
65863-289	2x20	LP	1.900/48,260	.105/ 2,67	30u"/0.76u MIN (NOTE 17) OVER 50u"/1.27u Ni	D
-290	2x25		2.400/60,960	.105/ 2,67		D
-291	2x30		2.900/73,660	.105/ 2,67		D
-292	2x5		.400/10,160	.675/17,15		A
-293	2x7		.600/15,240			C
-294	2x8		.700/17,780			D
-295	2x10		.900/22,860			
-296	2x13		1.200/30,480			
-297	2x17		1.600/40,640			
-298	2x20		1.900/48,260			
-299	2x25		2.400/60,960			
-300	2x30	LP	2.900/73,660	.675/17,15	30u"/0.76u MIN (NOTE 17) OVER 50u"/1.27u Ni	D
-301	2x5	NO	.400/10,160	.105/ 2,67	15u"/0.38u MIN (NOTE 17) OVER 50u"/1.27u Ni	A
-302	2x7		.600/15,240			C
-303	2x8		.700/17,780			D
-304	2x10		.900/22,860			
-305	2x13		1.200/30,480			
-306	2x17		1.600/40,640			
-307	2x20		1.900/48,260			
-308	2x25		2.400/60,960			
-309	2x30		2.900/73,660	.105/ 2,67		D
-310	2x5		.400/10,160	.150/ 3,81		A
-311	2x7		.600/15,240			C
-312	2x8		.700/17,780			D
-313	2x10		.900/22,860			
-314	2x13		1.200/30,480			
-315	2x17		1.600/40,640			
-316	2x20		1.900/48,260			
-317	2x25		2.400/60,960			
-318	2x30	NO	2.900/73,660	.150/ 3,81		D
-319	2x5	STD	.400/10,160	.105/ 2,67		A
-320	2x7		.600/15,240			C
-321	2x8		.700/17,780			D
-322	2x10		.900/22,860			D
-323	2x13		1.200/30,480			D
65863-324	2x17	STD	1.600/40,640	.105/ 2,67	15u"/0.38u MIN (NOTE 17) OVER 50u"/1.27u Ni	D

mat'l. code		surface ISO 1302 ✓		tolerance ISO 406 ISO 1101		projection 		product family QUICKIE	
ltr		ecn no		dr		date		title	
BD								HEADER, QUICKIE SEA-HORSE, VERTICAL	
								INCH/MM	
								scale 1:1	
								FCJ	
								dwg no sheet11 of23size	
								65863 A3	
								type Product Customer Drawing	
sheet index		revision sheet							

PRODUCT NO NOTE 12,13	SIZE	LATCH NOTE 8	DIM B	DIM D	TERMINAL PLATING	STYLE
65863-325	2x20	STD	1.900/48,260	.105/ 2,67	15u"/0.38u MIN (NOTE 17) OVER 50u"/1.27u Ni	D
-326	2x25		2.400/60,960	.105/ 2,67		D
-327	2x30		2.900/73,660	.105/ 2,67		D
-328	2x5		.400/10,160	.150/ 3,81		A
-329	2x7		.600/15,240			C
-330	2x8		.700/17,780			D
-331	2x10		.900/22,860			
-332	2x13		1.200/30,480			
-333	2x17		1.600/40,640			
-334	2x20		1.900/48,260			
-335	2x25		2.400/60,960			
-336	2x30	STD	2.900/73,660	.150/ 3,81		D
-337	2x5	LP	.400/10,160	.105/ 2,67		A
-338	2x7		.600/15,240			C
-339	2x8		.700/17,780			D
-340	2x10		.900/22,860			
-341	2x13		1.200/30,480			
-342	2x17		1.600/40,640			
-343	2x20		1.900/48,260			
-344	2x25		2.400/60,960			
-345	2x30		2.900/73,660	.105/ 2,67		D
-346	2x5		.400/10,160	.150/ 3,81		A
-347	2x7		.600/15,240			C
-348	2x8		.700/17,780			D
-349	2x10		.900/22,860			
-350	2x13		1.200/30,480			
-351	2x17		1.600/40,640			
-352	2x20		1.900/48,260			
-353	2x25		2.400/60,960			
-354	2x30	LP	2.900/73,660	.150/ 3,81	15u"/0.38u MIN (NOTE 17) OVER 50u"/1.27u Ni	D
-355	2x5	NO	.400/10,160	.105/ 2,67	30u"/0.76u MIN (NOTE 17) OVER 50u"/1.27u Ni	B
-356		NO			15u"/0.38u MIN (NOTE 17) OVER 50u"/1.27u Ni	
-357		NO			30u"/0.76u MIN (NOTE 17) OVER 50u"/1.27u Ni	
-358		NO			120u"~200u"/3.04um~5.08umTIN/LEAD	
-359		STD			30u"/0.76u MIN (NOTE 17) OVER 50u"/1.27u Ni	
65863-360	2x5	STD	.400/10,160	.105/ 2,67	15u"/0.38u MIN (NOTE 17) OVER 50u"/1.27u Ni	B

NOTE 16,19

mat'l. code		surface ISO 1302 ✓		tolerance ISO 406 ISO 1101		projection 		product family QUICKIE	
ltr		ecn no		dr		date		title	
BD								HEADER, QUICKIE SEA-HORSE, VERTICAL	
								INCH/MM	
								scale 1:1	
								dwg no	
								sheet 12 of 23	
								65863	
								A3	
								type Product Customer Drawing	
sheet index		revision sheet							



PRODUCT NO NOTE 12,13	SIZE	LATCH NOTE 8	DIM B	DIM D	TERMINAL PLATING	STYLE
65863-361	2x5	STD	.400/10,160	.105/ 2,67	30u"/0.76u MIN (NOTE 17) OVER 50u"/1.27u Ni	B
-362		STD			120u-200u"/3.04u-5.08u TIN/LEAD	
-363		LP			30u"/0.76u MIN (NOTE 17) OVER 50u"/1.27u Ni	
-364		LP			15u"/0.38u MIN (NOTE 17) OVER 50u"/1.27u Ni	
-365		LP			30u"/0.76u MIN (NOTE 17) OVER 50u"/1.27u Ni	
-366		LP		.105/ 2,67	120u-200u"/3.04u-5.08u TIN/LEAD	
-367		NO		.150/ 3,81	30u"/0.76u MIN (NOTE 17) OVER 50u"/1.27u Ni	
-368		NO			15u"/0.38u MIN (NOTE 17) OVER 50u"/1.27u Ni	
-369		NO			30u"/0.76u MIN (NOTE 17) OVER 50u"/1.27u Ni	
-370		NO			120u-200u"/3.04u-5.08u TIN/LEAD	
-371		STD			30u"/0.76u MIN (NOTE 17) OVER 50u"/1.27u Ni	
-372		STD			15u"/0.38u MIN (NOTE 17) OVER 50u"/1.27u Ni	
-373		STD			30u"/0.76u MIN (NOTE 17) OVER 50u"/1.27u Ni	
-374		STD			120u-200u"/3.04u-5.08u TIN/LEAD	
-375		LP			30u"/0.76u MIN (NOTE 17) OVER 50u"/1.27u Ni	
-376		LP			15u"/0.38u MIN (NOTE 17) OVER 50u"/1.27u Ni	
-377		LP			30u"/0.76u MIN (NOTE 17) OVER 50u"/1.27u Ni	
-378		LP		.150/ 3,81	120u-200u"/3.04u-5.08u TIN/LEAD	
-379		NO		.675/17,15	30u"/0.76u MIN (NOTE 17) OVER 50u"/1.27u Ni	
-380		NO			15u"/0.38u MIN (NOTE 17) OVER 50u"/1.27u Ni	
-381		NO			30u"/0.76u MIN (NOTE 17) OVER 50u"/1.27u Ni	
-382		NO			120u-200u"/3.04u-5.08u TIN/LEAD	
-383		STD			30u"/0.76u MIN (NOTE 17) OVER 50u"/1.27u Ni	
-384		STD			15u"/0.38u MIN (NOTE 17) OVER 50u"/1.27u Ni	
-385		STD			30u"/0.76u MIN (NOTE 17) OVER 50u"/1.27u Ni	
-386		STD			120u-200u"/3.04u-5.08u TIN/LEAD	
-387		LP			30u"/0.76u MIN (NOTE 17) OVER 50u"/1.27u Ni	
-388		LP			15u"/0.38u MIN (NOTE 17) OVER 50u"/1.27u Ni	
-389		LP			30u"/0.76u MIN (NOTE 17) OVER 50u"/1.27u Ni	
-390	2x5	LP	.400/10,160	.675/17,15	120u-200u"/3.04u-5.08u TIN/LEAD	B
-391	2x9	STD	.800/20,320	.105/ 2,67	30u"/0.76u MIN (NOTE 17) OVER 50u"/1.27u Ni	D
-392	2x9	NO	.800/20,320	.105/ 2,67	30u"/0.76u MIN (NOTE 17) OVER 50u"/1.27u Ni	D
-393	2x9	LP	.800/20,320	.105/ 2,67	30u"/0.76u MIN (NOTE 17) OVER 50u"/1.27u Ni	D
-394	2x5	NO	.400/10,160	.105/ 2,67	15u"/0.38u MIN (NOTE 17) OVER 50u"/1.27u Ni	A
65863-395	2x5	STD	.400/10,160	.105/ 2,67	15u"/0.38u MIN (NOTE 17) OVER 50u"/1.27u Ni	A

mat'l. code		surface ISO 1302 ✓	tolerance ISO 406 ISO 1101	projection 	product family QUICKIE
ltr	ecn no	dr	date	tolerances unless otherwise specified	title
BD				angles linear 0°±2'	HEADER, QUICKIE SEA-HORSE, VERTICAL
				linear XXX±.01/XXX.03 XXX±.005/XXX.013 XXX±.0020/XXX±0.051	INCH/MM scale 1:1
		dr	M. CORNMAN	8/21/90	dwg no sheet 13 of 23 size
		engr	M. SMYK	8/21/90	65863 A3
		chr	M. SMYK	8/21/90	type Product Customer Drawing
		appd	M. SMYK	8/21/90	
sheet index	revision sheet				



PRODUCT NO NOTES 12,13	SIZE	LATCH NOTE 8	DIM B	DIM D	TERMINAL PLATING	PIN STYLE	MISSING
65863-431	2x17	STD	1.600/40.640	.105/ 2,67	15u"/0.38u MIN (NOTE 17) OVER 50u"/1.27u NI	D	NONE
-432		LP		.105/ 2,67			
-433		NO		.150/ 3,81			
-434		STD		.150/ 3,81			
-435	2x17	LP	1.600/40.640	.150/ 3,81			
-436	2x20	NO	1.900/48.260	.105/ 2,67			
-437		STD		.105/ 2,67			
-438		LP		.105/ 2,67			
-439		NO		.150/ 3,81			
-440		STD		.150/ 3,81			
-441	2x20	LP	1.900/48.260	.150/ 3,81			
-442	2x25	NO	2.400/60.960	.105/ 2,67			
-443		STD		.105/ 2,67			
-444		LP		.105/ 2,67			
-445		NO		.150/ 3,81			
-446		STD		.150/ 3,81			
-447	2x25	LP	2.400/60.960	.150/ 3,81			
-448	2x30	NO	2.900/73.660	.105/ 2,67			
-449		STD		.105/ 2,67			
-450		LP		.105/ 2,67			
-451		NO		.150/ 3,81			
-452		STD		.150/ 3,81			
-453	2x30	LP	2.900/73.660	.150/ 3,81			
-454	2x12	NO	1.100/27.940	.105/ 2,67			
-455	2x12	STD					
-456	2x12	LP					
-456S	2x12	LP			15u"/0.38u MIN (NOTE 17) OVER 50u"/1.27u NI		
-457	2x12	NO			30u"/0.76u MIN (NOTE 17) OVER 50u"/1.27u NI		
-458		STD			30u"/0.76u MIN (NOTE 17) OVER 50u"/1.27u NI		
-459		LP			30u"/0.76u MIN (NOTE 17) OVER 50u"/1.27u NI		
-460		NO			30u"/0.76u MIN (NOTE 17) OVER 50u"/1.27u NI		
-461		STD			30u"/0.76u MIN (NOTE 17) OVER 50u"/1.27u NI		
-462		LP			30u"/0.76u MIN (NOTE 17) OVER 50u"/1.27u NI		
-463		NO			120u"-200u"/3.04u-5.08uTIN/LEAD		
-464		STD			120u"-200u"/3.04u-5.08uTIN/LEAD		
65863-465	2x12	LP	1.100/27.940	.105/ 2,67	120u"-200u"/3.04u-5.08uTIN/LEAD	D	NONE

NOTE 18

NOTE 16,19

NOTE 16,19

NOTE 16,19

mat'l. code		surface ISO 1302 <input checked="" type="checkbox"/>		tolerance ISO 406 ISO 1101		projection 		product family QUICKIE	
litr		ecn no		dr		date		title	
BD								HEADER, QUICKIE SEA-HORSE, VERTICAL	
								scale 1:1	
								dwg no 65863	
								sheet 15 of 23 size A3	
								type Product Customer Drawing	
sheet index		revision sheet							



PRODUCT NO NOTE 12,13	SIZE	LATCH NOTE 8	DIM B	DIM D	TERMINAL PLATING	STYLE
65863-466	2x12	NO	1.100/27.940	.150/3.81	15u"/0.38u MIN (NOTE 17) OVER 50u"/1.27u Ni	D
-467		STD			15u"/0.38u MIN (NOTE 17) OVER 50u"/1.27u Ni	
-468		LP			15u"/0.38u MIN (NOTE 17) OVER 50u"/1.27u Ni	
-469		NO			30u"/0.76u MIN (NOTE 17) OVER 50u"/1.27u Ni	
-470		STD			30u"/0.76u MIN (NOTE 17) OVER 50u"/1.27u Ni	
-471		LP			30u"/0.76u MIN (NOTE 17) OVER 50u"/1.27u Ni	
-472		NO			30u"/0.76u MIN (NOTE 17) OVER 50u"/1.27u Ni	
-473		STD			30u"/0.76u MIN (NOTE 17) OVER 50u"/1.27u Ni	
-474		LP			30u"/0.76u MIN (NOTE 17) OVER 50u"/1.27u Ni	
-475		NO			120u-200u"/3.04u-5.08u TIN/LEAD	NOTE 16,19
-476		STD			120u-200u"/3.04u-5.08u TIN/LEAD	NOTE 16,19
-477		LP		.150/3.81	120u-200u"/3.04u-5.08u TIN/LEAD	NOTE 16,19
-478		NO		.105/2.67	15u"/0.38u MIN (NOTE 17) OVER 50u"/1.27u Ni	
-479		STD			15u"/0.38u MIN (NOTE 17) OVER 50u"/1.27u Ni	
-480		LP			15u"/0.38u MIN (NOTE 17) OVER 50u"/1.27u Ni	
-481		NO			30u"/0.76u MIN (NOTE 17) OVER 50u"/1.27u Ni	
-482		STD			30u"/0.76u MIN (NOTE 17) OVER 50u"/1.27u Ni	
-483		LP		.105/2.67	30u"/0.76u MIN (NOTE 17) OVER 50u"/1.27u Ni	
-484		NO		.150/3.81	15u"/0.38u MIN (NOTE 17) OVER 50u"/1.27u Ni	
-485		STD		.150/3.81	15u"/0.38u MIN (NOTE 17) OVER 50u"/1.27u Ni	
-486		LP		.150/3.81	15u"/0.38u MIN (NOTE 17) OVER 50u"/1.27u Ni	
-487		NO		.675/17.15	15u"/0.38u MIN (NOTE 17) OVER 50u"/1.27u Ni	
-488		STD			15u"/0.38u MIN (NOTE 17) OVER 50u"/1.27u Ni	
-489		LP			15u"/0.38u MIN (NOTE 17) OVER 50u"/1.27u Ni	
-490		NO			30u"/0.76u MIN (NOTE 17) OVER 50u"/1.27u Ni	
-491		STD			30u"/0.76u MIN (NOTE 17) OVER 50u"/1.27u Ni	
-492		LP			30u"/0.76u MIN (NOTE 17) OVER 50u"/1.27u Ni	
-493		NO			30u"/0.76u MIN (NOTE 17) OVER 50u"/1.27u Ni	
-494		STD			30u"/0.76u MIN (NOTE 17) OVER 50u"/1.27u Ni	
-495		LP			30u"/0.76u MIN (NOTE 17) OVER 50u"/1.27u Ni	
-496		NO			120u-200u"/3.04u-5.08u TIN/LEAD	NOTE 16,19
-497		STD			120u-200u"/3.04u-5.08u TIN/LEAD	NOTE 16,19
-498	2x12	LP	1.100/27.940	.675/17.15	120u-200u"/3.04u-5.08u TIN/LEAD	NOTE 16,19
-499	2x15	NO	1.400/35.560	.105/2.67	15u"/0.38u MIN (NOTE 17) OVER 50u"/1.27u Ni	
65863-500	2x15	STD	1.400/35.560	.105/2.67	15u"/0.38u MIN (NOTE 17) OVER 50u"/1.27u Ni	D

mat'l. code		surface ISO 1302 <input checked="" type="checkbox"/>		tolerance ISO 406 ISO 1101		projection 		product family QUICKIE	
ltr		ecn no		dr		date		title	
BD								HEADER, QUICKIE SEA-HORSE, VERTICAL	
								scale 1:1	
								dwg no 65863 sheet 16 of 23 size A3	
								type Product Customer Drawing	
sheet index		revision sheet							



PRODUCT NO NOTE 12,13	SIZE	LATCH NOTE 8	DIM B	DIM D	TERMINAL PLATING	STYLE
65863-501	2x15	LP	1.400/35.560	.105/2.67	15u"/0.38u MIN (NOTE 17) OVER 50u"/1.27u Ni	D
-502		NO			30u"/0.76u MIN (NOTE 17) OVER 50u"/1.27u Ni	
-503		STD			30u"/0.76u MIN (NOTE 17) OVER 50u"/1.27u Ni	
-504		LP			30u"/0.76u MIN (NOTE 17) OVER 50u"/1.27u Ni	
-505		NO			30u"/0.76u MIN (NOTE 17) OVER 50u"/1.27u Ni	
-506		STD			30u"/0.76u MIN (NOTE 17) OVER 50u"/1.27u Ni	
-507		LP			30u"/0.76u MIN (NOTE 17) OVER 50u"/1.27u Ni	
-508		NO			120u-200u"/3.04u-5.08u TIN/LEAD	NOTE 16,19
-509		STD			120u-200u"/3.04u-5.08u TIN/LEAD	NOTE 16,19
-510		LP		.105/2.67	120u-200u"/3.04u-5.08u TIN/LEAD	NOTE 16,19
-511		NO		.150/3.81	15u"/0.38u MIN (NOTE 17) OVER 50u"/1.27u Ni	
-512		STD			15u"/0.38u MIN (NOTE 17) OVER 50u"/1.27u Ni	
-513		LP			15u"/0.38u MIN (NOTE 17) OVER 50u"/1.27u Ni	
-514		NO			30u"/0.76u MIN (NOTE 17) OVER 50u"/1.27u Ni	
-515		STD			30u"/0.76u MIN (NOTE 17) OVER 50u"/1.27u Ni	
-516		LP			30u"/0.76u MIN (NOTE 17) OVER 50u"/1.27u Ni	
-517		NO			30u"/0.76u MIN (NOTE 17) OVER 50u"/1.27u Ni	
-518		STD			30u"/0.76u MIN (NOTE 17) OVER 50u"/1.27u Ni	
-519		LP			30u"/0.76u MIN (NOTE 17) OVER 50u"/1.27u Ni	
-520		NO			120u-200u"/3.04u-5.08u TIN/LEAD	NOTE 16,19
-521		STD			120u-200u"/3.04u-5.08u TIN/LEAD	NOTE 16,19
-522		LP		.150/3.81	120u-200u"/3.04u-5.08u TIN/LEAD	NOTE 16,19
-523		NO		.105/2.67	15u"/0.38u MIN (NOTE 17) OVER 50u"/1.27u Ni	
-524		STD			15u"/0.38u MIN (NOTE 17) OVER 50u"/1.27u Ni	
-525		LP			15u"/0.38u MIN (NOTE 17) OVER 50u"/1.27u Ni	
-526		NO			30u"/0.76u MIN (NOTE 17) OVER 50u"/1.27u Ni	
-527		STD			30u"/0.76u MIN (NOTE 17) OVER 50u"/1.27u Ni	
-528		LP		.105/2.67	30u"/0.76u MIN (NOTE 17) OVER 50u"/1.27u Ni	
-529		NO		.150/3.81	15u"/0.38u MIN (NOTE 17) OVER 50u"/1.27u Ni	
-530		STD		.150/3.81	15u"/0.38u MIN (NOTE 17) OVER 50u"/1.27u Ni	
-531		LP		.150/3.81	15u"/0.38u MIN (NOTE 17) OVER 50u"/1.27u Ni	
-532		NO		.675/17.15	15u"/0.38u MIN (NOTE 17) OVER 50u"/1.27u Ni	
-533		STD			15u"/0.38u MIN (NOTE 17) OVER 50u"/1.27u Ni	
-534		LP			15u"/0.38u MIN (NOTE 17) OVER 50u"/1.27u Ni	
65863-535	2x15	NO	1.400/35.560	.675/17.15	30u"/0.76u MIN (NOTE 17) OVER 50u"/1.27u Ni	D

mat'l. code		surface ISO 1302 <input checked="" type="checkbox"/>		tolerance ISO 406 ISO 1101		projection 		product family QUICKIE	
ltr		ecn no		dr		date		title	
BD								HEADER, QUICKIE SEA-HORSE, VERTICAL	
								scale 1:1	
								dwg no 65863	
								sheet 17 of 23 size A3	
								type Product Customer Drawing	
sheet index		revision sheet							

PRODUCT NO NOTE 12,13	SIZE	LATCH NOTE 8	DIM B	DIM D	TERMINAL PLATING	STYLE
65863-536	2x15	STD	1.400/35.560	.675/17.15	30u"/0.76u MIN (NOTE 17) OVER 50u"/1.27u Ni	D
-537		LP			30u"/0.76u MIN (NOTE 17) OVER 50u"/1.27u Ni	
-538		NO			30u"/0.76u MIN (NOTE 17) OVER 50u"/1.27u Ni	
-539		STD			30u"/0.76u MIN (NOTE 17) OVER 50u"/1.27u Ni	
-540		LP			30u"/0.76u MIN (NOTE 17) OVER 50u"/1.27u Ni	
-541		NO			120u-200u"/3.04u-5.08u TIN/LEAD	NOTE 16,19
-542		STD			120u-200u"/3.04u-5.08u TIN/LEAD	NOTE 16,19
-543	2x15	LP	1.400/35.560	.675/17.15	120u-200u"/3.04u-5.08u TIN/LEAD	NOTE 16,19
-544	2x22	NO	2.100/53.340	.105/2.67	15u"/0.38u MIN (NOTE 17) OVER 50u"/1.27u Ni	
-545		STD			15u"/0.38u MIN (NOTE 17) OVER 50u"/1.27u Ni	
-546		LP			15u"/0.38u MIN (NOTE 17) OVER 50u"/1.27u Ni	
-547		NO			30u"/0.76u MIN (NOTE 17) OVER 50u"/1.27u Ni	
-548		STD			30u"/0.76u MIN (NOTE 17) OVER 50u"/1.27u Ni	
-549		LP			30u"/0.76u MIN (NOTE 17) OVER 50u"/1.27u Ni	
-550		NO			30u"/0.76u MIN (NOTE 17) OVER 50u"/1.27u Ni	
-551		STD			30u"/0.76u MIN (NOTE 17) OVER 50u"/1.27u Ni	
-552		LP			30u"/0.76u MIN (NOTE 17) OVER 50u"/1.27u Ni	
-553		NO			120u-200u"/3.04u-5.08u TIN/LEAD	NOTE 16,19
-554		STD			120u-200u"/3.04u-5.08u TIN/LEAD	NOTE 16,19
-555		LP		.105/2.67	120u-200u"/3.04u-5.08u TIN/LEAD	NOTE 16,19
-556		NO		.150/3.81	15u"/0.38u MIN (NOTE 17) OVER 50u"/1.27u Ni	
-557		STD			15u"/0.38u MIN (NOTE 17) OVER 50u"/1.27u Ni	
-558		LP			15u"/0.38u MIN (NOTE 17) OVER 50u"/1.27u Ni	
-559		NO			30u"/0.76u MIN (NOTE 17) OVER 50u"/1.27u Ni	
-560		STD			30u"/0.76u MIN (NOTE 17) OVER 50u"/1.27u Ni	
-561		LP			30u"/0.76u MIN (NOTE 17) OVER 50u"/1.27u Ni	
-562		NO			30u"/0.76u MIN (NOTE 17) OVER 50u"/1.27u Ni	
-563		STD			30u"/0.76u MIN (NOTE 17) OVER 50u"/1.27u Ni	
-564		LP			30u"/0.76u MIN (NOTE 17) OVER 50u"/1.27u Ni	
-565		NO			120u-200u"/3.04u-5.08u TIN/LEAD	NOTE 16,19
-566		STD			120u-200u"/3.04u-5.08u TIN/LEAD	NOTE 16,19
-567		LP		.150/3.81	120u-200u"/3.04u-5.08u TIN/LEAD	NOTE 16,19
-568		NO		.105/2.67	15u"/0.38u MIN (NOTE 17) OVER 50u"/1.27u Ni	
-569		STD		.105/2.67	15u"/0.38u MIN (NOTE 17) OVER 50u"/1.27u Ni	
65863-570	2x22	LP	2.100/53.340	.105/2.67	15u"/0.38u MIN (NOTE 17) OVER 50u"/1.27u Ni	D

mat'l. code		surface ISO 1302 <input checked="" type="checkbox"/>		tolerance ISO 406 ISO 1101		projection 		product family QUICKIE	
ltr		ecn no		dr		date		title	
BD								HEADER, QUICKIE SEA-HORSE, VERTICAL	
								scale 1:1	
								sheet 18 of 23 size 65863 A3 type Product Customer Drawing	
sheet index		revision sheet							

PRODUCT NO NOTE 12,13	SIZE	LATCH NOTE 8	DIM B	DIM D	TERMINAL PLATING	STYLE
65863-571	2x22	NO	2.100/53.340	.105/2.67	30u"/0.76u MIN (NOTE 17) OVER 50u"/1.27u Ni	D
-572		STD		.105/2.67	30u"/0.76u MIN (NOTE 17) OVER 50u"/1.27u Ni	
-573		LP		.105/2.67	30u"/0.76u MIN (NOTE 17) OVER 50u"/1.27u Ni	
-574		NO		.150/3.81	15u"/0.38u MIN (NOTE 17) OVER 50u"/1.27u Ni	
-575		STD		.150/3.81	15u"/0.38u MIN (NOTE 17) OVER 50u"/1.27u Ni	
-576		LP		.150/3.81	15u"/0.38u MIN (NOTE 17) OVER 50u"/1.27u Ni	
-577		NO		.675/17.15	15u"/0.38u MIN (NOTE 17) OVER 50u"/1.27u Ni	
-578		STD			15u"/0.38u MIN (NOTE 17) OVER 50u"/1.27u Ni	
-579		LP			15u"/0.38u MIN (NOTE 17) OVER 50u"/1.27u Ni	
-580		NO			30u"/0.76u MIN (NOTE 17) OVER 50u"/1.27u Ni	
-581		STD			30u"/0.76u MIN (NOTE 17) OVER 50u"/1.27u Ni	
-582		LP			30u"/0.76u MIN (NOTE 17) OVER 50u"/1.27u Ni	
-583		NO			30u"/0.76u MIN (NOTE 17) OVER 50u"/1.27u Ni	
-584		STD			30u"/0.76u MIN (NOTE 17) OVER 50u"/1.27u Ni	
-585		LP			30u"/0.76u MIN (NOTE 17) OVER 50u"/1.27u Ni	
-586		NO			120u-200u"/3.04u-5.08u TIN/LEAD	
-587		STD			120u-200u"/3.04u-5.08u TIN/LEAD	
-588	2x22	LP	2.100/53.340	.675/17.15	120u-200u"/3.04u-5.08u TIN/LEAD	
-589	2x25	STD	2.400/60.960	.150/3.81	30u"/0.76u MIN (NOTE 17) OVER 50u"/1.27u Ni	
-590		66258		.105/2.67		
-591		66258		.150/3.81		
-592	2x25	NO	2.400/60.960		30u"/0.76u MIN (NOTE 17) OVER 50u"/1.27u Ni	
-593	2x13	LP	1.200/30.480		50u"/1.27u MIN (NOTE 17) OVER 50u"/1.27u Ni	
-594	2x13	NO	1.200/30.480	.150/3.81		
-595	2x10	NO	.900/22.860	.150/3.81		
-596	2x10	STD	.900/22.860	.150/3.81		D
-597	2x5	LP	.400/10.160	.150/3.81		A
-598	2x5	NO	.400/10.160	.150/3.81		A
-599	2x5	LP	.400/10.160	.675/17.15		A
-600	2x5	NO	.400/10.160	.675/17.15	50u"/1.27u MIN (NOTE 17) OVER 50u"/1.27u Ni	A
-601	2X32	NO	3.100/78.740	.105/2.67	15u"/0.38u MIN (NOTE 17) OVER 50u"/1.27u Ni	D
-602	2X32	STD	3.100/78.740	.105/2.67	15u"/0.38u MIN (NOTE 17) OVER 50u"/1.27u Ni	D
-603	2X32	LP	3.100/78.740	.105/2.67	15u"/0.38u MIN (NOTE 17) OVER 50u"/1.27u Ni	D
65863-604	2X32	NO	3.100/78.740	.105/2.67	30u"/0.76u MIN (NOTE 17) OVER 50u"/1.27u Ni	D

NOTE 16,19  
NOTE 16,19  
NOTE 16,19

mat'l. code		surface ISO 1302 ✓	tolerance ISO 406 ISO 1101	projection 	product family QUICKIE
ltr	ecn no	dr	date	tolerances unless otherwise specified	title
BD				angles linear XXX±.01/XXX.03 XXX±.005/XXX.013 XXX±.0020/XXX±0.051	HEADER, QUICKIE SEA-HORSE, VERTICAL
				0°±2'	INCH/MM
				dr M. CORNMAN 8/21/90	scale 1:1
				enrg M. SMYK 8/21/90	FCI
				chr M. SMYK 8/21/90	dwg no sheet 19 of 23 size
				appd M. SMYK 8/21/90	65863 A3
					type Product Customer Drawing
sheet index	revision sheet				

PRODUCT NO NOTE 12,13	SIZE	LATCH NOTE 8	DIM B	DIM D	TERMINAL PLATING	STYLE
65863-605	2X32	STD	3.100/78.740	.105/2.67	30u"/0.76u MIN (NOTE 17) OVER 50u"/1.27u Ni	D
-606		LP			30u"/0.76u MIN (NOTE 17) OVER 50u"/1.27u Ni	
-607		NO			30u"/0.76u MIN (NOTE 17) OVER 50u"/1.27u Ni	
-608		STD			30u"/0.76u MIN (NOTE 17) OVER 50u"/1.27u Ni	
-609		LP			30u"/0.76u MIN (NOTE 17) OVER 50u"/1.27u Ni	
-610		NO			120u-200u"/3.04u-5.08u TIN/LEAD	
-611		STD			120u-200u"/3.04u-5.08u TIN/LEAD	
-612	2X32	LP	3.100/78.740	.105/2.67	120u-200u"/3.04u-5.08u TIN/LEAD	
-613	2x20	NO	1.900/48.260	.105/ 2,67	30u"/0.76u MIN (NOTE 17) OVER 50u"/1.27u Ni	
-614	2x20	STD	1.900/48.260	.105/ 2,67	30u"/0.76u MIN (NOTE 17) OVER 50u"/1.27u Ni	
-615	2x20	LP	1.900/48.260	.105/ 2,67	30u"/0.76u MIN (NOTE 17) OVER 50u"/1.27u Ni	
-616	2x25	NO	2.400/60.960	.450/ 11,43	30u"/0.76u MIN (NOTE 17) OVER 50u"/1.27u Ni	
-617	2x17	NO	1.600/40.640	.150/ 3,81	50u"/1.27u MIN (NOTE 17) OVER 50u"/1.27u Ni	
-618	2x17	STD	1.600/40.640	.150/ 3,81	50u"/1.27u MIN (NOTE 17) OVER 50u"/1.27u Ni	
-619	2x17	LP	1.600/40.640	.150/ 3,81	50u"/1.27u MIN (NOTE 17) OVER 50u"/1.27u Ni	
-620	2X32	STD	3.100/78.740	.105/2.67	30u"/0.76u MIN (NOTE 17) OVER 50u"/1.27u Ni	
-621	2X32	NO	3.100/78.740			
-622	2x15	STD	1.400/35.560			
-623	2x15	NO	1.400/35.560			
-624	2x22	STD	2.100/53.340			
-625	2x22	NO	2.100/53.340	.105/2.67	30u"/0.76u MIN (NOTE 17) OVER 50u"/1.27u Ni	
-626	2x25	NO	2.400/60.960	.150/ 3,81	50u"/1.27u MIN (NOTE 17) OVER 50u"/1.27u Ni	
-627	2x25	STD	2.400/60.960			
-628	2x25	LP	2.400/60.960			
-629	2x20	NO	1.900/48.260			
-630	2x20	STD	1.900/48.260			
-631	2x20	LP	1.900/48.260	.150/ 3,81	50u"/1.27u MIN (NOTE 17) OVER 50u"/1.27u Ni	
-632	2x20	STD	1.900/48.260	.105/2.67	30u"/0.76u MIN (NOTE 17) OVER 50u"/1.27u Ni	
-633	2x8	STD	.700/17.78	.150/ 3,81	50u"/1.27u MIN (NOTE 17) OVER 50u"/1.27u Ni	D
-634	2x7	NO	.600/15.24	.236/ 5.99	30u"/0.76u MIN (NOTE 17) OVER 50u"/1.27u Ni	C
-635	2x5	STD	.400/10.16	.520/13.21	30u"/0.76u MIN (NOTE 17) OVER 50u"/1.27u Ni	A
-636	2x8	NO	.700/17.78	.150/ 3,81	30u"/0.76u MIN (NOTE 17) OVER 50u"/1.27u Ni	D
-637	2x8	STD	.700/17.78	.150/ 3,81	30u"/0.76u MIN (NOTE 17) OVER 50u"/1.27u Ni	D
-638	2x10	NO	.800/20.32	.150/ 3,81	30u"/0.76u MIN (NOTE 17) OVER 50u"/1.27u Ni	D
65863-639	2x10	STD	.800/20.32	.150/ 3,81	30u"/0.76u MIN (NOTE 17) OVER 50u"/1.27u Ni	D

NOTE 16,19  
NOTE 16,19  
NOTE 16,19

CUSTOMER SPECIAL

mat'l. code		surface ISO 1302 ✓	tolerance ISO 406 ISO 1101	projection 	product family QUICKIE
ltr	ecn no	dr	date	tolerances unless otherwise specified	title
BD				angles linear 0°±2"	HEADER, QUICKIE SEA-HORSE, VERTICAL
				linear XXX±.01/XXX.03 XXX±.005/XXX.013 XXX±.0020/XXX±0.051	INCH/MM scale 1:1
		dr	M. CORNMAN	8/21/90	dwg no
		enrg	M. SMYK	8/21/90	sheet 20 of 23
		chr	M. SMYK	8/21/90	size
		appd	M. SMYK	8/21/90	65863
					A3
					type Product Customer Drawing
sheet index	revision sheet				



PRODUCT NO NOTE 12,13	SIZE	LATCH NOTE 8	DIM B	DIM D	TERMINAL PLATING	STYLE	PIN MISSING
65863-640	2x12	NO	1.100/ 27.94	.150/3,81	30u"/0.76u MIN (NOTE 17) OVER 50u"/1.27u Ni	D	NONE
-641	2x12	STD	1.100/ 27.94				
-642	2x15	NO	1.400/ 35.56				
-643	2x15	STD	1.400/ 35.56				
-644	2x30	NO	2.900/ 73.66				
-645	2x30	STD	2.900/ 73.66				
-646	2x25	STD	2.400/ 60.96			D	
-647	2x5	STD	.400/ 10.16			A	
-648	2x7	STD	.600/ 15.24			C	
-649	2x13	STD	1.120/ 30.48			D	
-650	2x17	STD	1.600/ 40.64			D	
-651	2x5	NO	.400/ 10.16			A	
-652	2x7	NO	.600/ 15.24			C	
-653	2x13	NO	1.120/ 30.48			D	
-654	2x17	NO	1.600/ 40.64	.150/3,81		D	
-655	2x5	STD	.400/ 10.16	.175/4.45		A	
-656	2x7		.600/ 15.24			C	
-657	2x13		1.120/ 30.48			D	
-658	2x17	STD	1.600/ 40.64	.175/4.45		D	
-659	2x5	NO	.400/ 10.16	.250/6.35		A	
-660	2x7	LP	.600/ 15.24	.236/5.99	30u"/0.76u MIN (NOTE 17) OVER 50u"/1.27u Ni	C	NONE
-715	2x8	LP	.700/ 17.78	.150/3.81	30u"/0.76u MIN (NOTE 17) OVER 50u"/1.27u Ni	D	3
-716	2x8	LP	.700/ 17.78	.150/3.81	30u"/0.76u MIN (NOTE 17) OVER 50u"/1.27u Ni	D	14
-717	2X20	LP	1.900/48.26	.150/3.81	30u"/0.76u MIN (NOTE 17) OVER 50u"/1.27u Ni	D	20
-717S	2X20	LP	1.900/48.26	.150/3.81	30u"/0.76u MIN (NOTE 17) OVER 50u"/1.27u Ni	D	20
-733	2x17	LP	1.600/ 40.14	.105/2.67	50u"/1.27u MIN (NOTE 17) OVER 50u"/1.27u Ni	D	5
-734	2x17	STD	1.600/ 40.64	.105/2.67	50u"/1.27u MIN (NOTE 17) OVER 50u"/1.27u Ni	D	5
-735	2x10	LP	.900/ 22.86	.150/3.81	30u"/0.76u MIN (NOTE 17) OVER 50u"/1.27u Ni	D	16
-736	2x10	LP	.900/ 22.86		30u"/0.76u MIN (NOTE 17) OVER 50u"/1.27u Ni	D	19
-737	2x5	LP	.400/ 10.16		30u"/0.76u MIN (NOTE 17) OVER 50u"/1.27u Ni	A	10
-738	2X20	LP	1.900/48.26		30u"/0.76u MIN (NOTE 17) OVER 50u"/1.27u Ni	D	8
-739	2X25	LP	2.400/60.96			D	25
-740	2X12	LP	1.100/ 27.94			D	20
-741	2X17	LP	1.600/ 40.64			D	5
-741S	2X17	LP	1.600/ 40.64			D	5
-742	2X5	LP	.400/ 10.16			A	2
65863-743	2X17	LP	1.600/ 40.64	.150/3.81	30u"/0.76u MIN (NOTE 17) OVER 50u"/1.27u Ni	D	3

NOTE 18

NOTE 18

mat'l. code		surface ISO 1302 ✓	tolerance ISO 406 ISO 1101	projection 	product family QUICKIE
ltr	ecn no	dr	date	tolerances unless otherwise specified	title
BD				linear XXX±.01/XXX±.03 XXX±.005/XXX±.013 XXX±.0020/XXX±.0051	INCH/MM
				0°±2°	scale 1:1
		dr	M. CORNMAN	8/21/90	dwg no
		enr	M. SMYK	8/21/90	sheet 21 of 23 size
		chr	M. SMYK	8/21/90	65863 A3
		appd	M. SMYK	8/21/90	type Product Customer Drawing
sheet index	revision sheet				



Copyright FCI

PRODUCT NO NOTE 12,13	SIZE	LATCH NOTE 8	DIM B	DIM D	TERMINAL PLATING	STYLE	MISSING PIN
65863-744	2x17	LP	1.600/ 40.64	.150/3.81	30u"/0.76u MIN (NOTE 17) OVER 50u"/1.27u Ni	D	3, 5
65863-744S	2x17	LP	1.600/ 40.64	.150/3.81	30u"/0.76u MIN (NOTE 17) OVER 50u"/1.27u Ni	D	3, 5
65863-843	2x5	N/A	.400/ 10.16	.120/3.05	15u"/0.38u MIN (NOTE 17) OVER 50u"/1.27u Ni	A	
-844	2x7		.600/ 15.24			C	
-845	2x10		.900/ 22.86			D	
-846	2x15		1.400/ 35.56				
-847	2x17		1.600/ 40.64				
-848	2X20		1.900/ 48.26				
-849	2X25		2.400/ 60.96				
-850	2x30	N/A	2.900/ 73.66			D	
-851	2x5	STD	.400/ 10.16			A	
-852	2x7		.600/ 15.24			C	N/A
-853	2x10		.900/ 22.86			D	
-854	2x15		1.400/ 35.56				
-855	2x17		1.600/ 40.64				
-856	2X20		1.900/ 48.26				
-857	2X25		2.400/ 60.96				
-858	2x30	STD	2.900/ 73.66			D	
-859	2x5	L/P	.400/ 10.16			A	
-860	2x7		.600/ 15.24			C	
-861	2x10		.900/ 22.86			D	
-861S	2x10		.900/ 22.86			D	
-862	2x15		1.400/ 35.56				
-863	2x17		1.600/ 40.64				
-864	2X20		1.900/ 48.26				
-865	2X25		2.400/ 60.96				
65863-866	2x30	L/P	2.900/ 73.66	.120/3.05		D	
65863-867S	2x12	L/P	1.100/ 27.94	.105/2.67	15u"/0.38u MIN (NOTE 17) OVER 50u"/1.27u Ni	D	24
65863-868S	2x12	L/P	1.100/ 27.94	.105/2.67	30u"/0.76u MIN (NOTE 17) OVER 50u"/1.27u Ni	D	24

NOTE 18

NOTE 18

NOTE 18

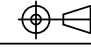

NOTE 18

mat'l. code		surface ISO 1302 ✓		tolerance ISO 406 ISO 1101		projection 		product family QUICKIE	
ltr		ecn no		dr		date		title	
BD								HEADER, QUICKIE SEA-HORSE, VERTICAL	
								scale 1:1	
								dwg no 65863 sheet 22 of 23 size A3	
								type Product Customer Drawing	
sheet index		revision sheet							

FCIconnect.com

Copyright FCI

PRODUCT NO NOTE 12,13	SIZE	LATCH NOTE 8	DIM B	DIM D	TERMINAL PLATING	STYLE
65863-049P	2x5	STD	.400/10,160	.105/ 2,67	30u"/0.76u MIN (NOTE 17) OVER 50u"/1.27u Ni	A
65863-055P	2x7	STD	.600/15,240	.105/ 2,67	30u"/0.76u MIN (NOTE 17) OVER 50u"/1.27u Ni	C
65863-061P	2x8	STD	.700/17,780	.105/ 2,67	30u"/0.76u MIN (NOTE 17) OVER 50u"/1.27u Ni	D
65863-067P	2x10	STD	.900/22,860	.105/ 2,67	30u"/0.76u MIN (NOTE 17) OVER 50u"/1.27u Ni	D
65863-073P	2x13	STD	1.200/30,480	.105/ 2,67	30u"/0.76u MIN (NOTE 17) OVER 50u"/1.27u Ni	D
65863-079P	2x17	STD	1.600/40,640	.105/ 2,67	30u"/0.76u MIN (NOTE 17) OVER 50u"/1.27u Ni	D
65863-085P	2x20	STD	1.900/48,260	.105/ 2,67	30u"/0.76u MIN (NOTE 17) OVER 50u"/1.27u Ni	D
65863-091P	2x25	STD	2.400/60,960	.105/ 2,67	30u"/0.76u MIN (NOTE 17) OVER 50u"/1.27u Ni	D
65863-203P	2x20	LP	1.900/48,260	.105/ 2,67	30u"/0.76u MIN (NOTE 17) OVER 50u"/1.27u Ni	D

mat'l. code		surface ISO 1302 ✓	tolerance ISO 406 ISO 1101	projection 	product family QUICKIE
ltr	ecn no	dr	date	tolerances unless otherwise specified	title HEADER, QUICKIE SEA-HORSE, VERTICAL
BD				linear XXX±.01/XXX±.03 XXX±.005/XXX±.013 XXX±.0020/XXX±.0051	
				angles 0°±2°	INCH/MM
				dr	scale 1:1
				enr	
				chr	
				appd	
				dr	dwg no
				enr	sheet 23 of 23
				chr	size
				appd	65863
					A3
					type
					Product Customer Drawing
sheet index	revision sheet				