



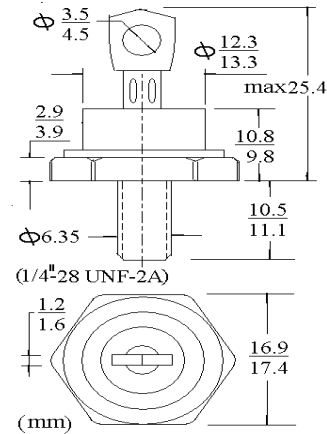
75 Amps Glass Passivated Power Rectifiers

Description

75TR10~60



Mechanical Dimensions



DO-5

Dimension in mm

Feature	Mechanical Data
<ul style="list-style-type: none"> ■ Low Forward Voltage Drop ■ Stud cathode and stud Anode available ■ High Reliability ■ High Surge Current capability ■ Outline Free Pb 	<ul style="list-style-type: none"> ■ Case: DO-5 Metal case ■ Type application: <ul style="list-style-type: none"> ■ Battery Charge, Converter, Power Supplier, Machine Tool Controls ■ Weight: 15 grams(approx.)

Max Ratings at Ta=25C Unless Otherwise Specified

Characteristic	Symbol	75TR10	75TR20	75TR40	75TR50	75TR60	Unit	
Peak Repetitive Reverse Voltage	Vrrm	100	200	400	500	600	V	
working Peak Reverse Voltage	Vrwm	100	200	400	500	600	V	
DC Blocking Voltage	Vdc	100	200	400	500	600	V	
RMS Reverse Voltage	Vr(rms)	70	140	280	350	420	V	
Forward Continuous Current ; per leg/ package	IF(AV)	75						A
non-Repetitive peak Surge Current Halfwave single phase, 60Hz	IFSM	600						A
Max Forward Voltage IF=100A @25C	Vf	<35						mV
Reverse Leakage Current; Vr. MAX @ 25C/175C	Ir	2.0uA/1.0mA						
Operating & storage Temp. Range	Tj/Ts	200/ -40~+200						C
Thermal Resistance Junction to Case	Rthjc	<0.6						C/W