

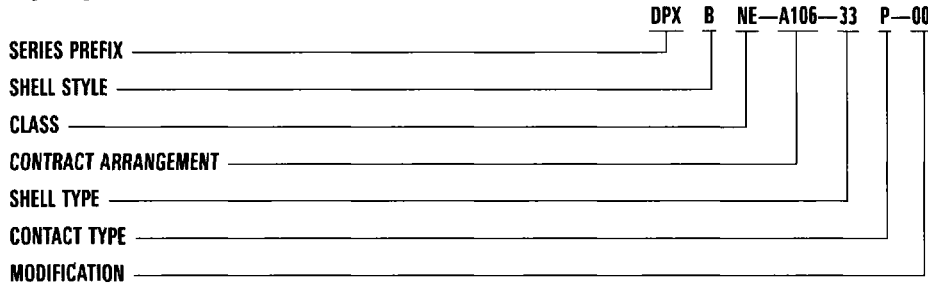
Cannon's DPXNA (non-environmental, Type IV) and DPXNE (environmental, Types II and III) rack and panel connectors are designed to meet or exceed the requirements of MIL-C-81659, Revision B. They are used in military and aerospace applications and computer periphery equipment requirements, and

are designed to operate in temperatures ranging from -65°C to +125°C. DPXNA/NE connectors are available in single, 2, 3, and 4 gang configurations, with a total of 12 contact arrangements accommodating contact sizes 12, 16, 20 and 22, and combination standard and coaxial contacts.

Contact retention of these crimp snap-in contacts is provided by the LITTLE CAESAR® rear release contact retention assembly. Environmental sealing is accomplished by wire sealing grommets and interfacial seals.

**How to Order**

**Single Gang**



**SERIES PREFIX**

DPX - ITT Cannon Designation

**SHELL STYLE**

B - ARINC 'B' Shell

**CLASS (MIL-C-81659B, Class 1)...**

NA - Non-Environmental (MIL-C-81659B, Type IV)  
NE - Environmental (MIL-C-81659B, Types II and III)

**INSERT DESIGNATOR**

In the 3 and 4 gang assemblies, the insert designation number represents cumulative (total) contacts. The charts on page 26 denote shell cavity location by layout. (If desired arrangement location is not defined, please consult our local sales engineering office.)

**CONTACT ARRANGEMENT**

See page 31

**SHELL TYPE**

'33' for Plug; '34' for Receptacle

**CONTACT TYPE**

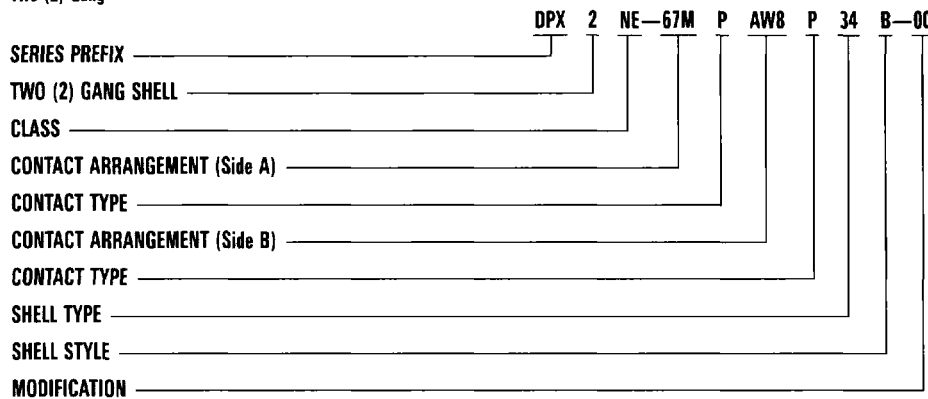
'P' for Pin (Standard on '34' receptacle except A106 layout which has reversed contact sex)  
'S' for Socket (Standard on '33' plug except A106 layout which has reversed contact sex)

**MODIFICATION CODES**

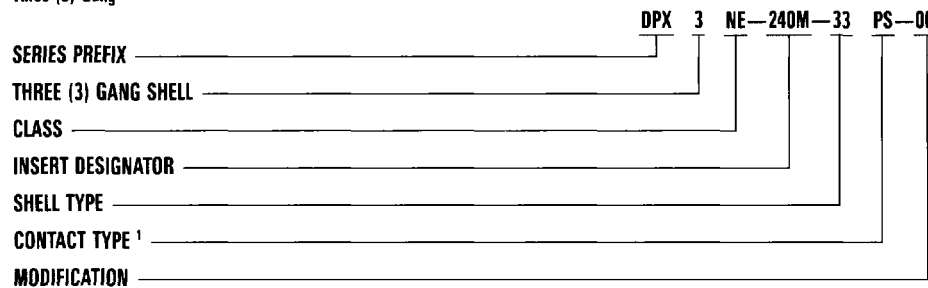
- 00 Standard
- 01 Standard with clinch nuts in the mounting holes (34 only).
- 02 Standard with tabs for attaching junction shells.
- 03 Standard with mounting holes .120 dia. countersunk 100° to .230 dia. (33 only).
- 17 Combination of O1\*\* and O2\*\* (clinch nuts in mounting holes - 34 only and tabs for attaching junction shells).
- 22 Standard with clinch nuts (33 only).
- 23 Standard with standard floating eyelets.
- 29 Standard except less grommet (NE, pin only).
- 30 Same as -29\*\* except with tabs for attaching junction shells.
- 33 Same as -29\*\* except with clinch nuts.
- 37 Same as -29\*\* except with clinch nuts and tabs for attaching junction shells.
- 39 Standard with standard floating eyelets and tabs for attaching junction shells.

NOTE: For additional modification codes please consult the factory.

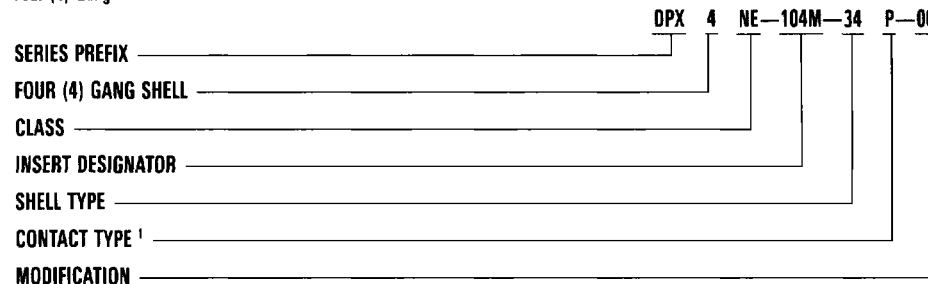
**Two (2) Gang**



**Three (3) Gang**



**Four (4) Gang**



\*NOTE: On 3 & 4 gang assemblies, combination layouts, the contact type designator of the A106 layout, if applicable, precedes the designator for standard contact sex layouts. See three (3) gang nomenclature breakdown above for 240M example (67MS, 67MS, A106P).

Insert Designator Number

Rack and Panel Connectors

DPX3NA/DPX3NE					DPX4NA/DPX4NE					
MS3157	ITTC	Side A	Side B	Side C	MS3157	ITTC	Side A	Side B	Side C	Side D
0005	78M	26MP	26MP	26MP	0066	24M	W8MS	W8MS	W8MS	
0006	78M	26MS	26MS	26MS	0067	122M	W8MP	W8MP	A106S	
0013	120M	40MP	40MP	40MP	0068	122M	W8MS	W8MS	A106P	
0014	120M	40MS	40MS	40MS	0073	142M	67MP	67MP	W8MP	
0021	135M	45MP	45MP	45MP	0074	142M	67MS	67MS	W8MS	
0022	135M	45MS	45MS	45MS	0075	240M	67MP	67MP	A106S	
0029	171M	57MP	57MP	57MP	0076	240M	67MS	67MS	A106P	
0030	171M	57MS	57MS	57MS	0079	A240M	67MP	A106S	67MP	
0037	201M	67MP	67MP	67MP	0080	A240M	67MS	A106P	67MS	
0038	201M	67MS	67MS	67MS	0091	279M	A106S	A106S	67MP	
0045	A318	A106P	A106P	A106P	0092	279M	A106P	A106P	67MS	
0046	A318	A106S	A106S	A106S	0157	244M	A106S	A106S	32W4MP	
0065	24M	W8MP	W8MP	W8MP	0158	244M	A106P	A106P	32W4MS	

Performance and Material Specifications

MATERIALS AND FINISHES

Description	Material	Finish
Shell	Aluminum alloy	Cadmium plating, Type II, Class 3/QQ-P-416 with yellow chromate finish (underplating may be used)
Insulators	Thermoplastic or thermosetting plastic	None
Elastomers	Silicone rubber (ITT Cannon Blend)	None
Contacts	Copper alloy	Gold plate per MIL-G-45204, Type 1, Grade C, Class 1 with suitable underplating (silver not used)
Insulator Retaining Plate	Aluminum alloy	Anodize, blue color
Junction Shells	Aluminum alloy	Same as shell
(Not available for four gang)		
Clinch Nuts	Stainless steel	Cadmium Plating
Float Mounts	Stainless steel	None
Polarizing Posts	Zinc (die cast)	Cadmium plating
Polarizing Keys & Retaining Plate	Nickel silver	None
Screws	Brass	Cadmium plating
Lockwashers	Phosphor Bronze	Cadmium plating

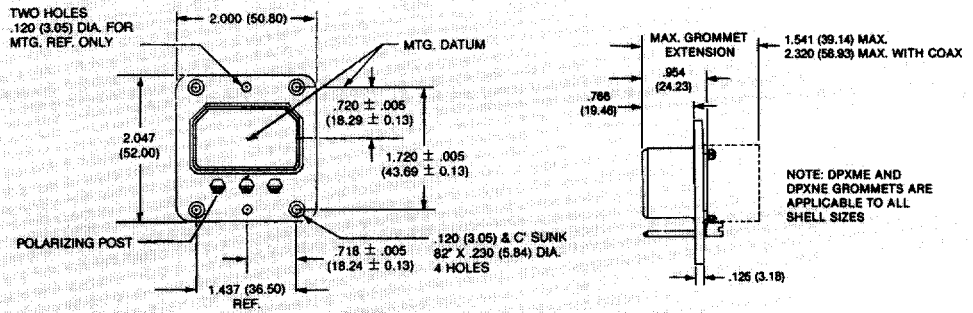
ELECTRICAL

Contact Size	Wire Size	Insulation O.D. Limits (Inch)	Test Current per MIL-C-39029	Max. Current for Tests (Amps) (MIL-C-39029)	Max. Potential Drop (Millivolts) at 25°C
		Max.			
12	12	.135 (3.43)	23.0	23.0	63
	14		17.0	17.0	60
	16		13.0	13.0	68
16	18	.103 (2.62)	—	—	—
	20		7.5	—	75
	20		7.5	7.5	83
20	22	.071 (1.80)	—	—	—
	24		3.0	3.0	68
	22		5.0	5.0	110
22	24	.054 (1.37)	—	—	—
	26		2.0	2.0	80

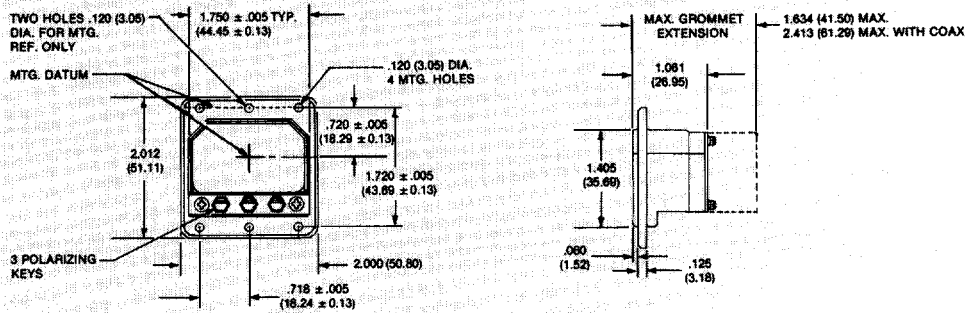
Note — The maximum contact resistance listed above is with silver plated wire.

## Shell Dimensions

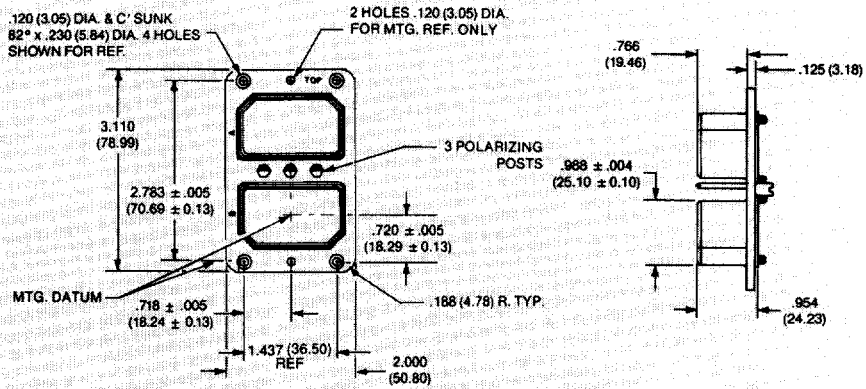
### DPXB-33



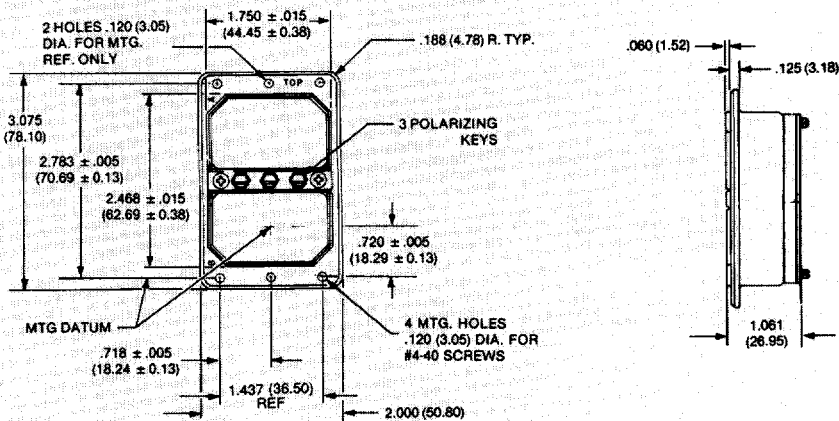
### DPXB-34



### DPX2-33B



### DPX2-34B

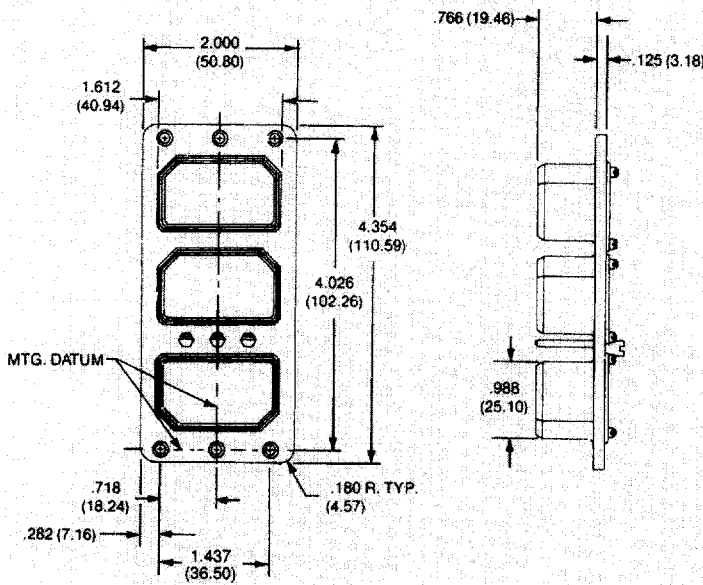


All tolerances ±.015 (0.38) unless otherwise noted.

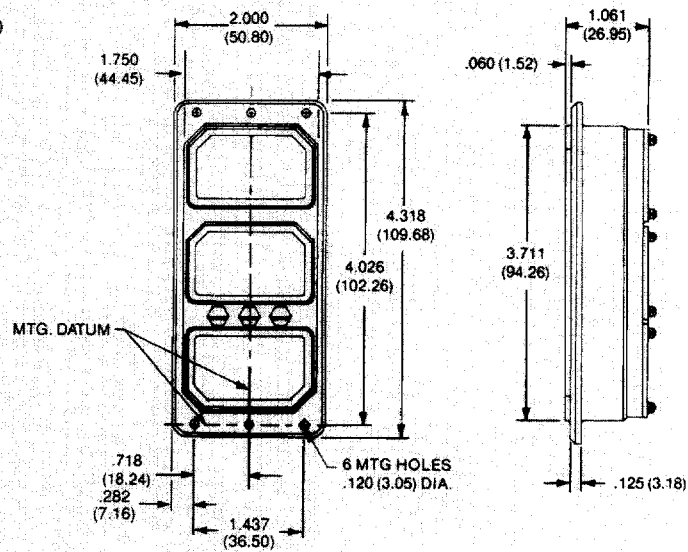
Shell Dimensions

Rack and Panel Connectors

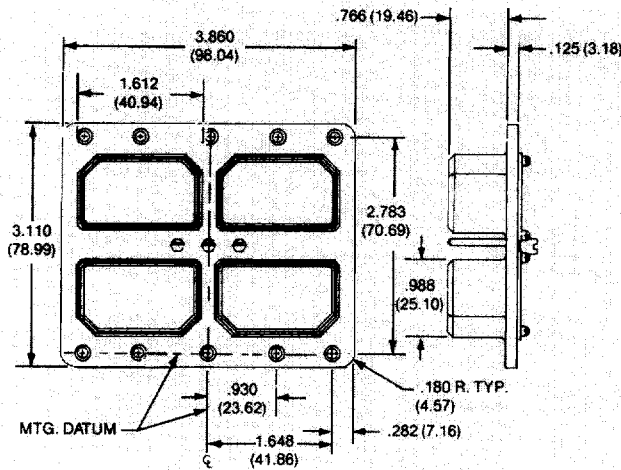
DPX3-33



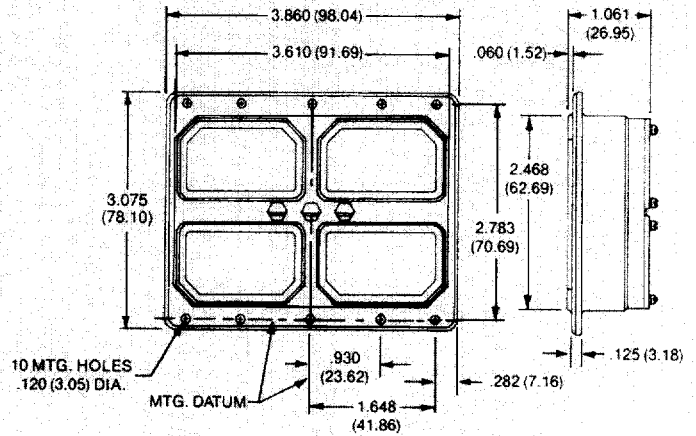
DPX3-34



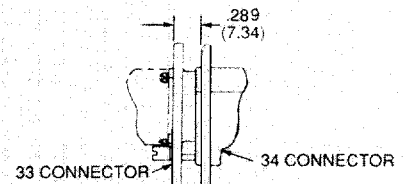
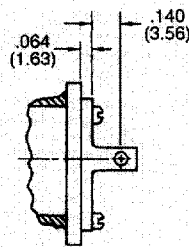
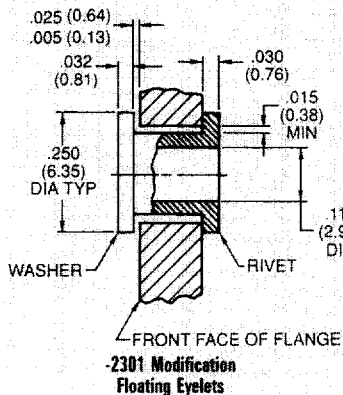
DPX4-33



DPX4-34



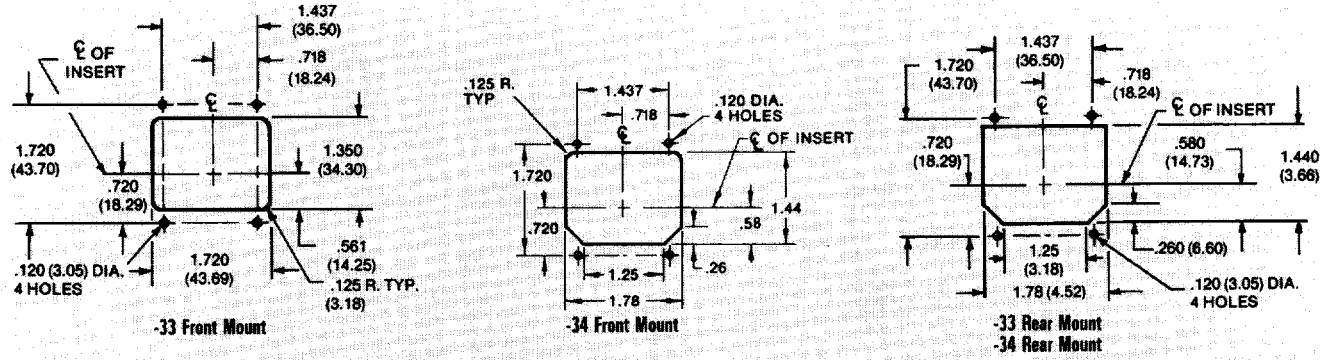
Modification Codes



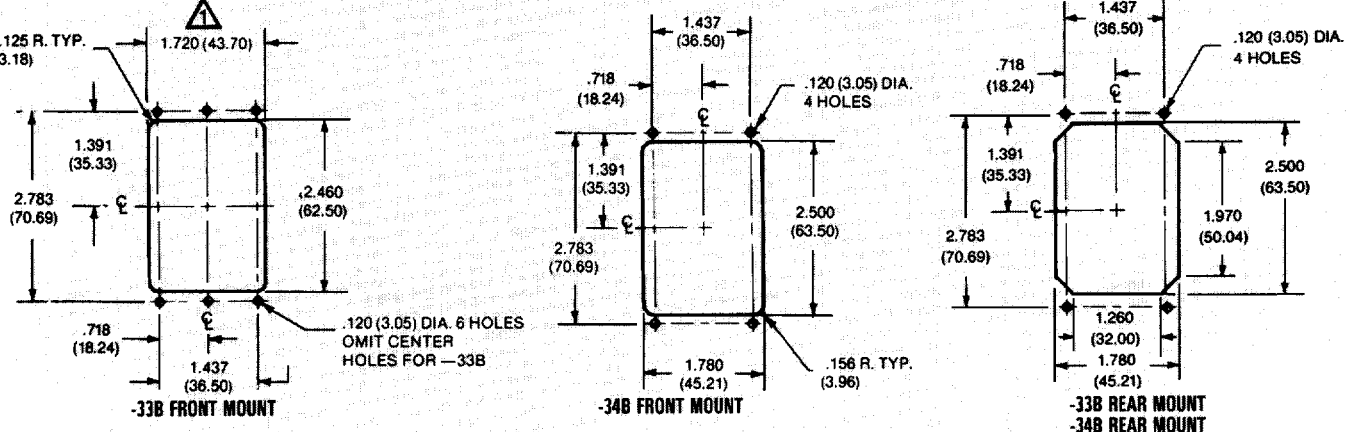
All tolerances ±.015 (0.38) unless otherwise noted.

Panel Cutouts

DPXB

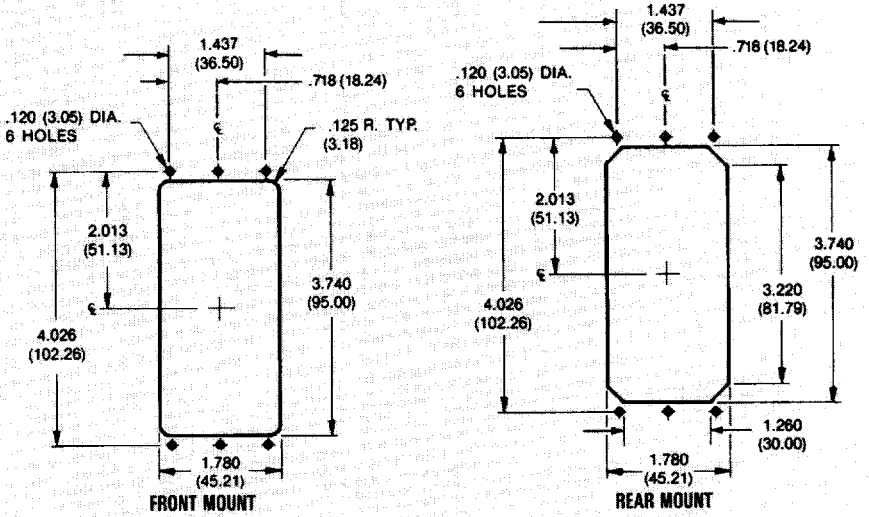


DPX2



△ For -23 float mtg. mod. 1.78 (45.21).

DPX3

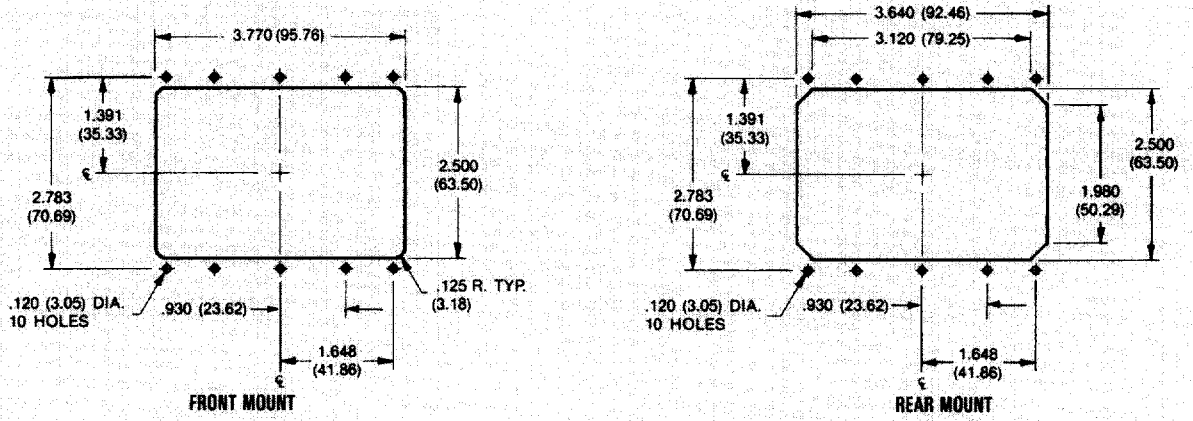


All tolerances ±.015 (0.38) unless otherwise noted.

Panel Cutouts (Continued)

Rack and Panel Connectors

DPX4



All tolerances  $\pm .015$  (0.38) unless otherwise noted.

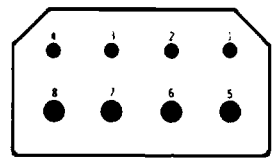
Contact Arrangements

Face View of Pin Insulator Shown.

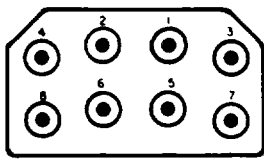
Cross Reference

MS3157	ITTC
C8	W8M
E8	D8M
10C3	10W3M
26	26M
32C2	32W2M
32C4	32W4M
	33C4M
40	40M
40C1	40W1M
45	45M
57	57M
67	67M
106	A106

Layout  
Contacts  
Test Voltage

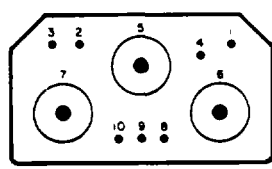


**D8M**  
4 #16, 4 #12  
1500

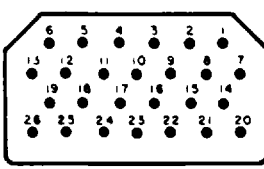


**W8M**  
8 Coaxial\*  
1000

Layout  
Contacts  
Test Voltage

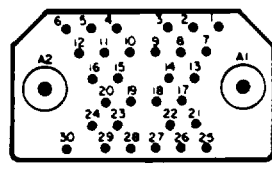


**10W3M**  
7HD #20, 3 Coaxial\*\*  
1500  
(Coax 1000)

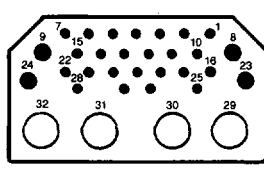


**26M**  
26 #16  
1500

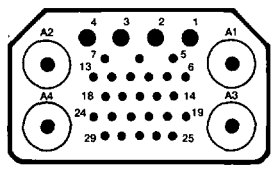
Layout  
Contacts  
Test Voltage



**32W2M**  
30HD #20, 2 Coaxial†  
1500  
(Coax 1000)

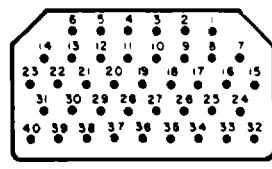


**32W4M**  
24HD #20  
4 #16, 4 Coaxial\*  
1500  
(Coax 1000)

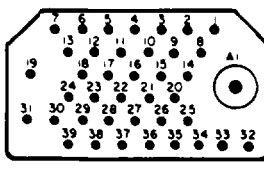


**33C4M**  
25HD #20, 4 Coaxial†  
1000

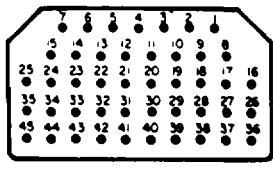
Layout  
Contacts  
Test Voltage



**40M**  
40 HD #20  
1500

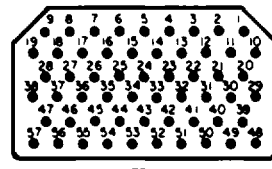


**40W1M**  
39HD #20, 1 COAXIAL†  
1500  
(COAX 1000)

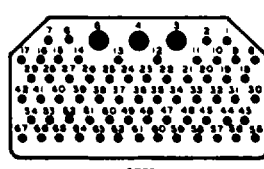


**45M**  
45HD #20  
1500

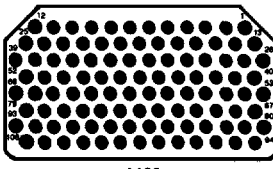
Layout  
Contacts  
Test Voltage



**57M**  
57 HD #20  
1500



**67M**  
64 HD #20, 3 #16  
1000



**A106**  
106 #22  
1000

\*SIZE 9 COAXIAL \*\*SIZE 11 COAXIAL † SIZE 5 COAXIAL

NOTE: All coaxial layouts supplied less coaxial contacts (i.e. W8M, 10W3M, 32W2M, 32W4M, 33C4M, 36W7, 40W1M)

Rack and Panel Connectors

Contact and Termination Tooling Data — Military

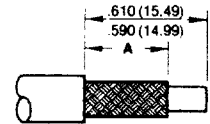
Contact Size	DPX*NE/NA		Wire Accom.	Crimp Tool Part Number	Locator Part Number	Insertion/Extraction Tool	Layout Usage
	Pin Part Number (Military Equivalent)	Socket Part Number (Military Equivalent)					
2222	030-1975-008 (M39029/11-144)	031-1113-008 (M39029/12-148)	22, 24, 26	M22520/2-01	M22520/2-23	CIT-DPXMA-22 M81969/1-01	A106  10W3M, 32W2M, 32W4M, 40M 40W1M, 45M, 57M, 67M
2020HD	030-1892-004 (M39029/11-145)	031-1047-003 (M39029/12-149)	20, 22, 24	M22520/2-01 MS-3191-1	M22520/2-08 Standard	CIT-20 CET-200-1 M81969/1-02	D8M, 26M, 32W4M 67M
1616	030-9083-012 (M39029/11-146)	031-1271-000 (M39029/12-150)	16, 18, 20	M22520/1-01 MS-3191-1	M22520/1-02 Std. Locator	CIET-16	D8M, 26M, 32W4M 67M
1212	030-1909-002 (M39029/11-147)	031-1059-003 (M39029/12-151)	12, 14	M22520/1-01	M22520/1-11	CIET-12	D8M

\*Requires air line pressure of 80 to 100 PSI for CBT-600 and 120 PSI for CBT-600B.

Coaxial Contact Data

Components/Accessories

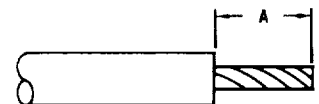
LITTLE CAESAR® contact retention assembly (W8M, 32W2M, 32W4M & 40W1M contact arrangements)



Contact Arrangement	Part Number (P = Pin, S = Socket)			Cable Accommodation†		Ins. Dia. Size/Max.	'A' Trim Dim.
	Without Seal††		With Seal	Seal 1	Seal 2		
	A152†††	A176†††	A152†††				
32W2M 40W1M 36W7 33W4	P-249-2071-000	249-2071-001	249-2101-000	RG180	RG195U	.158(4.01)	.260(6.60)
	S-249-2076-000	249-2076-001	249-2106-000				.250(6.35)
	P-249-2072-000	249-2072-001	249-2102-000	RG58	X	.196(4.98)	.260(6.60)
	S-249-2077-000	249-2077-001	249-2107-000				.250(6.35)
	P-249-2073-000	249-2073-001	249-2103-000	RG142	X	.196(4.98)	.260(6.60)
	S-249-2078-000	249-2078-001	249-2108-000				.250(6.35)
	P-249-2074-000	249-2074-001	249-2104-000	RG179	RG174, RG179,	.111(2.82)	.350(8.89)
	S-249-2079-000	249-2079-001	249-2109-000		RG316		.330(8.38)
	P-249-2075-000	249-2075-001	249-2105-000	RG178	X	.075(1.90)	.260(6.60)
	S-249-2080-000	249-2080-001	249-2110-000	RG196			.250(6.35)
W8M 32W4M	P-249-2081-000	249-2081-001	249-2111-000	RG180	RG195U	.158(4.01)	.260(6.60)
	S-249-2086-000	249-2086-001	249-2116-000				.250(6.35)
	P-249-2082-000	249-2082-001	249-2112-000	RG58	X	.196(4.98)	.260(6.60)
	S-249-2087-000	249-2087-001	249-2117-000				.250(6.35)
	P-249-2083-000	249-2083-001	249-2113-000	RG142	X	.196(4.98)	.260(6.60)
	S-249-2088-000	249-2088-001	249-2118-000				.250(6.35)
	P-249-2084-000	249-2084-001	249-2114-000	RG179	RG174, RG179,	.111(2.82)	.350(8.89)
	S-249-2089-000	249-2089-001	249-2119-000		RG316		.330(8.38)
	P-249-2085-000	249-2085-001	249-2115-000	RG178U	X	.075(1.90)	.260(6.60)
	S-249-2090-000	249-2090-001	249-2120-000	RG196U			.250(6.35)

NOTES: † Coaxials without the seal accommodates both Seal 1 and Seal 2 cables.  
 †† Coaxials without the seal are utilized in DPX\*NE connectors supplied less the grommet (modification code: --29\*\*) and DPX\*NA connectors.  
 ††† A152 modification code indicates .00005 (0.0010) gold plating on coaxial contacts. (Standard for the DPXNE/NA series.)  
 A176 modification code indicates .00002 (0.0005) gold plating on coaxial contacts.

Wire Strip Dimensions



Wire Strip Dimension	
	A Dim.
#22	.130/.110 (3.30/2.79)
#20HD	.167/.147 (4.24/3.73)
#16	.270/.230 (6.86/5.84)
#12	.270/.230 (6.86/5.84)



Coaxial Contact Data

Installation Data

1. Use basic tool M22520/5-01 with Y-211 die (#995-0002-249) for crimping.
2. Use extraction tool No. CET-C8. An insertion tool is not required (See Note 5).
3. Center contact, rear insulator, crimp ring, support bushing (not applicable to RG58/RG142 coaxials), seal sleeve, front insulator, shell and ferrule are shipped unassembled in a common container.

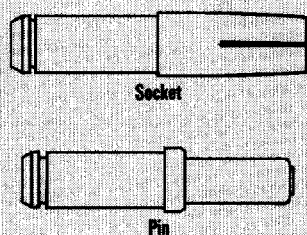
4. Cable Assembly Instructions

- Step 1 – If applicable determine which portion of seal sleeve should be used. If Seal 2 is used, cut off Seal 1 portion.
- Step 2 – In sequence, place seal sleeve, support bushing and crimp ring over cable jacket.
- Step 3 – Trim cable per illustration.
- Step 4 – Comb out braid and flare out ends to permit entry of ferrule.
- Step 5 – Complete termination per illustration.

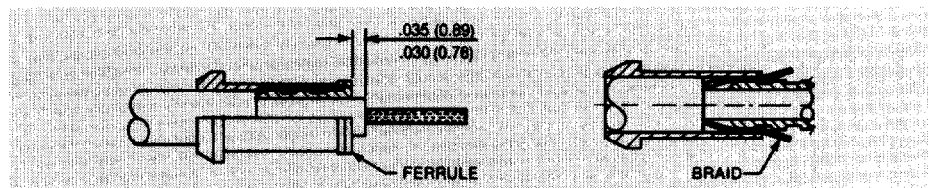
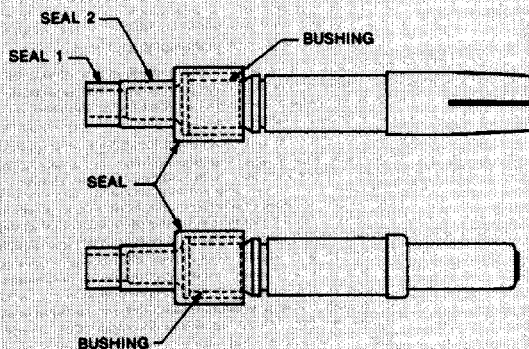
5. To extract coaxial, push back seal sleeve and support bushing. Slip cable into extraction tool. Push tool into insert until contacts coaxial retaining shoulder. Grip both cable and tool with one hand and pull coaxial rearward out of insert cavity.

6. To facilitate extraction of contacts, the length of free cable adjacent to the rear surface of the connector should not be less than 2.000 (50.80).

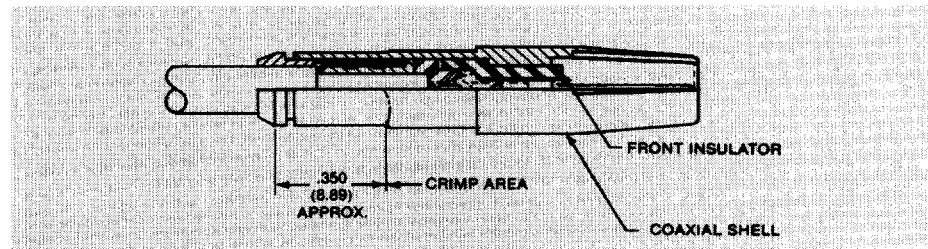
Without Seal



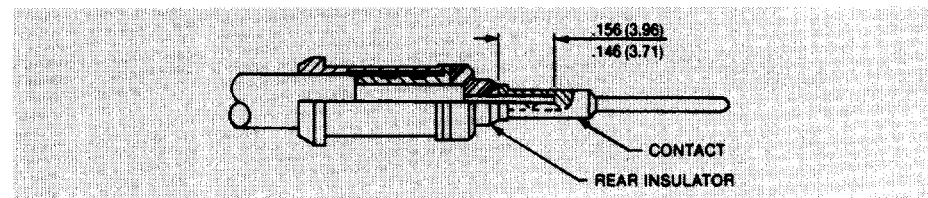
Sealed



- A. Push ferrule under braid as far as it will go. Trim off braid extending beyond shoulder of ferrule, if necessary.
- B. While holding ferrule in place pull crimp sleeve forward over braid until it is tight against shoulder on ferrule. Pull firmly against face of ferrule to make sure it is up tight.
- C. Trim dielectric to the .035 (0.89)/.030 (0.76) dimension.



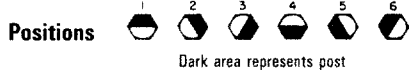
- A. Place front insulator over contact and then push assembly into coaxial shell.
- B. Place parts in jaw of crimp tool. Locate jaws at start of chamfer on crimp sleeve. Press sleeve firmly into coaxial shell and crimp.
- C. After assembled coaxial is inserted into connector, push support bushing into grommet until shoulder rests on tubular extension. Then pull sealing sleeve forward until it is snug on grommet.



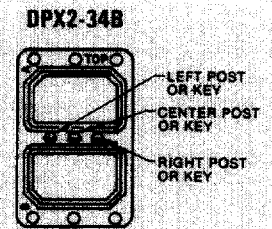
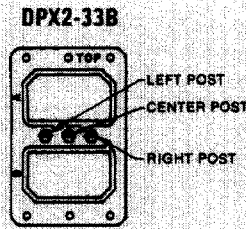
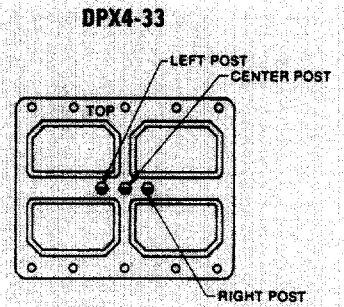
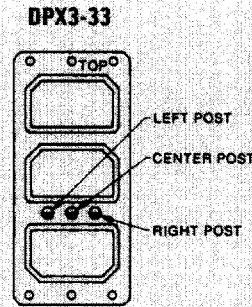
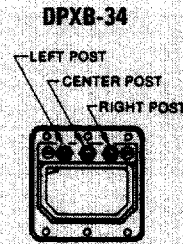
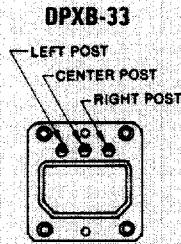
- A. Carefully push inner conductor through rear insulator.
- B. While holding rear insulator firmly against ferrule, trim conductor to .156 (3.96)/.146 (3.91) dimension.
- C. Place contact over conductor and solder.

**Polarization Positions**

MIL-C-81659B requires that polarizing posts be shipped unassembled with the connector. The user then assembles the posts in the preferred position and marks the position number on the connector. All DPXNA and DPXNE connectors shall be sold this way. The position number will not be marked.



**Face View of Engaging End**



The last two digits in the four-digit dash number refer to the polarizing post position. The polarizing posts will be shipped unassembled with the connector assembly. The position number is not stamped on the connector. This allows the customer to position the posts themselves and then stamp the appropriate number on the shell.

33 PLUG MALE SHELL								34 RECEPTACLE FEMALE SHELL							
Position	Left Post	Center Post	Right Post	Position	Left Post	Center Post	Right Post	Position	Left Post	Center Post	Right Post	Position	Left Post	Center Post	Right Post
01	1	1	1	51	3	2	5	01	4	4	4	51	6	3	2
02	2	1	1	52	4	2	5	02	4	4	3	52	6	3	1
03	3	1	1	53	5	2	5	03	4	4	2	53	6	3	6
04	4	1	1	54	6	2	5	04	4	4	1	54	6	3	5
05	5	1	1	55	1	2	4	05	4	4	6	55	1	3	4
06	6	1	1	56	2	2	4	06	4	4	5	56	1	3	3
07	1	1	6	57	3	2	4	07	5	4	4	57	1	3	2
08	2	1	6	58	4	2	4	08	5	4	3	58	1	3	1
09	3	1	6	59	5	2	4	09	5	4	2	59	1	3	6
10	4	1	6	60	6	2	4	10	5	4	1	60	1	3	5
11	5	1	6	61	1	2	3	11	5	4	6	61	2	3	4
12	6	1	6	62	2	2	3	12	5	4	5	62	2	3	3
13	1	1	5	63	3	2	3	13	6	4	4	63	2	3	2
14	2	1	5	64	4	2	3	14	6	4	3	64	2	3	1
15	3	1	5	65	5	2	3	15	6	4	2	65	2	3	6
16	4	1	5	66	6	2	3	16	6	4	1	66	2	3	5
17	5	1	5	67	1	2	2	17	6	4	6	67	3	3	4
18	6	1	5	68	2	2	2	18	6	4	5	68	3	3	3
19	1	1	4	69	3	2	2	19	1	4	4	69	3	3	2
20	2	1	4	70	4	2	2	20	1	4	3	70	3	3	1
21	3	1	4	71	5	2	2	21	1	4	2	71	3	3	6
22	4	1	4	72	6	2	2	22	1	4	1	72	3	3	5
23	5	1	4	73	1	3	1	23	1	4	6	73	4	2	4
24	6	1	4	74	2	3	1	24	1	4	5	74	4	2	3
25	1	1	3	75	3	3	1	25	2	4	4	75	4	2	2
26	2	1	3	76	4	3	1	26	2	4	3	76	4	2	1
27	3	1	3	77	5	3	1	27	2	4	2	77	4	2	6
28	4	1	3	78	6	3	1	28	2	4	1	78	4	2	5
29	5	1	3	79	1	3	6	29	2	4	6	79	5	2	4
30	6	1	3	80	2	3	6	30	2	4	5	80	5	2	3
31	1	1	2	81	3	3	6	31	3	4	4	81	5	2	2
32	2	1	2	82	4	3	6	32	3	4	3	82	5	2	1
33	3	1	2	83	5	3	6	33	3	4	2	83	5	2	6
34	4	1	2	84	6	3	6	34	3	4	1	84	5	2	5
35	5	1	2	85	1	3	5	35	3	4	6	85	6	2	4
36	6	1	2	86	2	3	5	36	3	4	5	86	6	2	3
37	1	2	1	87	3	3	5	37	4	3	4	87	6	2	2
38	2	2	1	88	4	3	5	38	4	3	3	88	6	2	1
39	3	2	1	89	5	3	5	39	4	3	2	89	6	2	6
40	4	2	1	90	6	3	5	40	4	3	1	90	6	2	5
41	5	2	1	91	3	3	4	41	4	3	6	91	1	2	4
42	6	2	1	92	2	3	4	42	4	3	5	92	1	2	3
43	1	2	6	93	3	3	4	43	5	3	4	93	1	2	2
44	2	2	6	94	4	3	4	44	5	3	3	94	1	2	1
45	3	2	6	95	5	3	4	45	5	3	2	95	1	2	6
46	4	2	6	96	6	3	4	46	5	3	1	96	1	2	5
47	5	2	6	97	1	3	3	47	5	3	6	97	2	2	4
48	6	2	6	98	2	3	3	48	5	3	5	98	2	2	3
49	1	2	5	99	3	3	3	49	6	3	4	99	2	2	2
50	2	2	5					50	6	3	3				

Cross Reference from Military to Cannon Part Numbers

Military Part Number	Cannon Part Number	Military Part Number	Cannon Part Number	Military Part Number	Cannon Part Number
M81659/29A2-0001	DPXBNE-26M-33P-00	M81659/35A2-0122	DPX2NE-32W2MS40W1MS-33B-00	M81659/37A2-0005	DPX3NE-78M-33P-00
0002	DPXBNE-26M-33S-00	0123	DPX2NE-32WMP45MP-33B-00	0006	DPX3NE-78M-33S-00
0009	DPXBNE-40M-33P-00	0124	DPX2NE-32W2MS45MS-33B-00	0013	DPX3NE-120M-33P-00
0010	DPXBNE-40M-33S-00	0125	DPX2NE-32W2MP57MP-33B-00	0014	DPX3NE-120M-33S-00
0017	DPXBNE-45M-33P-00	0126	DPX2NE-32W2MS57MS-33B-00	0021	DPX3NE-135M-33P-00
0018	DPXBNE-45M-33S-00	0127	DPX2NE-32W2MP67MP-33B-00	0022	DPX3NE-135M-33S-00
0025	DPXBNE-57M-33P-00	0128	DPX2NE-32W2MS67MS-33B-00	0029	DPX3NE-171M-33P-00
0026	DPXBNE-57M-33S-00	0129	DPX2NE-32W2MPA106S-33B-00	0030	DPX3NE-171M-33S-00
0033	DPXBNE-67M-33P-00	0130	DPX2NE-32W2MSA106P-33B-00	0037	DPX3NE-201M-33P-00
0034	DPXBNE-67M-33S-00	0131	DPX2NE-40W1MP40W1MP-33B-00	0038	DPX3NE-201M-33S-00
0041	DPXBNE-A106-33P-00	0132	DPX2NE-40W1MS40W1MS-33B-00	0045	DPX3NE-A318-33P-00
0042	DPXBNE-A106-33S-00	0133	DPX2NE-57MPA106S-33B-00	0046	DPX3NE-A318-33S-00
0083	DPXBNE-DBM-33P-00	0134	DPX2NE-57MSA106P-33B-00	0065	DPX3NE-24M-33P-00
0084	DPXBNE-DBM-33S-00	0145	DPX2NE-W8MP57MP-33B-00	0066	DPX3NE-24M-33S-00
0135	DPXBNE-W8M-33P-00	0146	DPX2NE-W8MS57MS-33B-00	0067	DPX3NE-122M-33P-00
0136	DPXBNE-W8M-33S-00	0147	DPX2NE-57MP26MP-33B-00	0068	DPX3NE-122M-33S-00
0137	DPXBNE-10W3M-33P-00	0148	DPX2NE-57MS26MS-33B-00	0073	DPX3NE-142M-33P-00
0138	DPXBNE-10W3M-33S-00	0151	DPX2NE-32W4MPA106S-33B-00	0074	DPX3NE-142M-33S-00
0139	DPXBNE-32W2M-33P-00	0152	DPX2NE-32W4MSA106P-33B-00	0075	DPX3NE-240M-33P-00
0140	DPXBNE-32W2M-33S-00	0155	DPX2NE-W8MP32W4MP-33B-00	0076	DPX3NE-240M-33S-00
0141	DPXBNE-40W1M-33P-00	0156	DPX2NE-W8MS32W4MS-33B-00	0079	DPX3NE-A240M-33P-00
0142	DPXBNE-40W1M-33S-00	0159	DPX2NE-32W4MPW8MP-33B-00	0080	DPX3NE-A240M-33S-00
0149	DPXBNE-32W4M-33P-00	0160	DPX2NE-32W4MSW8MS-33B-00	0091	DPX3NE-279M-33P-00
0150	DPXBNE-32W4M-33S-00			0092	DPX3NE-279M-33S-00
				0157	DPX3NE-244M-33P-00
				0158	DPX3NE-244M-33S-00
M81659/31A2-0001	DPXBNE-26M-34P-00	M81659/35A2-0003	DPX2NE-26MP26MP-34B-00	M81659/39A2-0005	DPX3NE-78M-34P-00
0002	DPXBNE-26M-34S-00	0004	DPX2NE-26MS26MS-34B-00	0006	DPX3NE-78M-34S-00
0009	DPXBNE-40M-34P-00	0011	DPX2NE-40MP40MP-34B-00	0013	DPX3NE-120M-34P-00
0010	DPXBNE-40M-34S-00	0012	DPX2NE-40MS40MS-34B-00	0014	DPX3NE-120M-34S-00
0017	DPXBNE-45M-34P-00	0019	DPX2NE-45MP45MP-34B-00	0021	DPX3NE-135M-34P-00
0018	DPXBNE-45M-34S-00	0020	DPX2NE-45MS45MS-34B-00	0022	DPX3NE-135M-34S-00
0025	DPXBNE-57M-34P-00	0027	DPX2NE-57MP57MP-34B-00	0029	DPX3NE-171M-34P-00
0026	DPXBNE-57M-34S-00	0028	DPX2NE-57MS57MS-34B-00	0030	DPX3NE-171M-34S-00
0033	DPXBNE-67M-34P-00	0035	DPX2NE-67MP67MP-34B-00	0037	DPX3NE-201M-34P-00
0034	DPXBNE-67M-34S-00	0036	DPX2NE-67MS67MS-34B-00	0038	DPX3NE-201M-34S-00
0041	DPXBNE-A106-34P-00	0043	DPX2NE-A106PA106P-34B-00	0045	DPX3NE-A318-34P-00
0042	DPXBNE-A106-34S-00	0044	DPX2NE-A106SA106S-34B-00	0046	DPX3NE-A318-34S-00
0083	DPXBNE-DBM-34P-00	0057	DPX2NE-A106S26MP-34B-00	0065	DPX3NE-24M-34P-00
0084	DPXBNE-DBM-34S-00	0058	DPX2NE-A106P26MS-34B-00	0066	DPX3NE-24M-34S-00
0135	DPXBNE-W8M-34P-00	0059	DPX2NE-26MPA106S-34B-00	0067	DPX3NE-122M-34P-00
0136	DPXBNE-W8M-34S-00	0060	DPX2NE-26MSA106P-34B-00	0068	DPX3NE-122M-34S-00
0137	DPXBNE-10W3M-34P-00	0071	DPX2NE-67MPA106S-34B-00	0073	DPX3NE-142M-34P-00
0138	DPXBNE-10W3M-34S-00	0072	DPX2NE-67MSA106P-34B-00	0074	DPX3NE-142M-34S-00
0139	DPXBNE-32W2M-34P-00	0087	DPX2NE-A106SW8MP-34B-00	0075	DPX3NE-240M-34P-00
0140	DPXBNE-32W2M-34S-00	0088	DPX2NE-A106PW8MS-34B-00	0076	DPX3NE-240M-34S-00
0141	DPXBNE-40W1M-34P-00	0089	DPX2NE-A106S67MP-34B-00	0079	DPX3NE-A240M-34P-00
0142	DPXBNE-40W1M-34S-00	0090	DPX2NE-A106P67MS-34B-00	0080	DPX3NE-A240M-34S-00
0149	DPXBNE-32W4M-34P-00	0109	DPX2NE-C2P40W1MP-34B-00	0091	DPX3NE-279M-34P-00
0150	DPXBNE-32W4M-34S-00	0110	DPX2NE-C2S40W1MS-34B-00	0092	DPX3NE-279M-34S-00
		0111	DPX2NE-C2P57MP-34B-00	0157	DPX3NE-244M-34P-00
		0112	DPX2NE-C2S57MS-34B-00	0158	DPX3NE-244M-34S-00
		0113	DPX2NE-AC3P67MP-34B-00		
		0114	DPX2NE-AC3S67MS-34B-00	M81659/41A2-0007	DPX4NE-104M-33P-00
		0115	DPX2NE-AC3PA106S-34B-00	0008	DPX4NE-104M-33S-00
		0116	DPX2NE-AC3SA106P-34B-00	0015	DPX4NE-160M-33P-00
		0117	DPX2NE-W8MPA106S-34B-00	0016	DPX4NE-160M-33S-00
		0118	DPX2NE-W8MSA106P-34B-00	0023	DPX4NE-180M-33P-00
		0119	DPX2NE-10W3P32W2MP-34B-00	0024	DPX4NE-180M-33S-00
		0120	DPX2NE-10W3S32W2MS-34B-00	0031	DPX4NE-228M-33P-00
		0121	DPX2NE-32W2MP40W1MP-34B-00	0032	DPX4NE-228M-33S-00
		0122	DPX2NE-32W2MS40W1MS-34B-00	0039	DPX4NE-268M-33P-00
		0123	DPX2NE-32W2MP45MP-34B-00	0040	DPX4NE-268M-33S-00
		0124	DPX2NE-32W2MS45MS-34B-00	0047	DPX4NE-A424-33P-00
		0125	DPX2NE-32W2MP57MP-34B-00	0048	DPX4NE-A424-33S-00
		0126	DPX2NE-32W2MS57MS-34B-00	0061	DPX4NE-104M-33P-00
		0127	DPX2NE-32W2MP67MP-34B-00	0062	DPX4NE-104M-33S-00
		0128	DPX2NE-32W2MS67MS-34B-00	0063	DPX4NE-95M-33P-00
		0129	DPX2NE-32W2MPA106S-34B-00	0064	DPX4NE-95M-33S-00
		0130	DPX2NE-32W2MSA106P-34B-00	0085	DPX4NE-150M-33P-00
		0131	DPX2NE-40W1MP40W1MP-34B-00	0086	DPX4NE-150M-33S-00
		0132	DPX2NE-40W1MS40W1MS-34B-00	0095	DPX4NE-326M-33P-00
		0133	DPX2NE-57MPA106S-34B-00	0096	DPX4NE-326M-33S-00
		0134	DPX2NE-57MSA106P-34B-00	0097	DPX4NE-287M-33P-00
		0145	DPX2NE-W8MP57MP-34B-00	0098	DPX4NE-287M-33S-00
		0146	DPX2NE-W8MS57MS-34B-00	0099	DPX4NE-189M-33P-00
		0147	DPX2NE-57MP26MP-34B-00	0100	DPX4NE-189M-33S-00
		0148	DPX2NE-57MS26MS-34B-00	0101	DPX4NE-346M-33P-00
		0151	DPX2NE-32W4MPA106S-34B-00	0102	DPX4NE-346M-33S-00
		0152	DPX2NE-32W4MSA106P-34B-00		
		0155	DPX2NE-W8MP32W4MP-34B-00		
		0156	DPX2NE-W8MS32W4MS-34B-00		
		0159	DPX2NE-32W4MPW8MP-34B-00		
		0160	DPX2NE-32W4MSW8MS-34B-00		
M81659/33A2-0003	DPX2NE-26MP26MP-33B-00				
0004	DPX2NE-26MS26MS-33B-00				
0011	DPX2NE-40MP40MP-33B-00				
0012	DPX2NE-40MS40MS-33B-00				
0019	DPX2NE-45MP45MP-33B-00				
0020	DPX2NE-45MS45MS-33B-00				
0027	DPX2NE-57MP57MP-33B-00				
0028	DPX2NE-57MS57MS-33B-00				
0035	DPX2NE-67MP67MP-33B-00				
0036	DPX2NE-67MS67MS-33B-00				
0043	DPX2NE-A106PA106P-33B-00				
0044	DPX2NE-A106SA106S-33B-00				
0057	DPX2NE-A106S26MP-33B-00				
0058	DPX2NE-A106P26MS-33B-00				
0059	DPX2NE-26MPA106S-33B-00				
0060	DPX2NE-26MSA106P-33B-00				
0071	DPX2NE-67MPA106S-33B-00				
0072	DPX2NE-67MSA106P-33B-00				
0087	DPX2NE-A106SW8MP-33B-00				
0088	DPX2NE-A106PW8MS-33B-00				
0089	DPX2NE-A106S67MP-33B-00				
0090	DPX2NE-A106P67MS-33B-00				
0109	DPX2NE-C2P40W1MP-33B-00				
0110	DPX2NE-C2S40W1MS-33B-00				
0111	DPX2NE-C2P57MP-33B-00				
0112	DPX2NE-C2S57MS-33B-00				
0113	DPX2NE-AC3P67MP-33B-00				
0114	DPX2NE-AC3S67MS-33B-00				
0115	DPX2NE-AC3PA106S-33B-00				
0116	DPX2NE-AC3SA106P-33B-00				
0117	DPX2NE-W8MPA106S-33B-00				
0118	DPX2NE-W8MSA106P-33B-00				
0119	DPX2NE-10W3MP32W2MP-33B-00				
0120	DPX2NE-10W3MS32W2MS-33B-00				
0121	DPX2NE-32W2MP40W1MP-33B-00				

Cross Reference from Military to Cannon Part Numbers (continued)

Rack and Panel Connectors

Military Part Number	Cannon Part Number	Military Part Number	Cannon Part Number	Military Part Number	Cannon Part Number
M81659/43A2-0007	DPX4NE-104M-34P-00	M81659/62A2-0121	DPX2NE-32W2MP40W1MP-34B-29	M81659/65A2-0026	DPXBNA-57M-33S-00
0008	DPX4NE-104M-34S-00	0122	DPX2NE-32W2MS40W1MS-34B-29	0033	DPXBNA-67M-33P-00
0015	DPX4NE-160M-34P-00	0123	DPX2NE-32W2MP45MP-34B-29	0034	DPXBNA-67M-33S-00
0016	DPX4NE-160M-34S-00	0124	DPX2NE-32W2MS45MS-34B-29	0041	DPXBNA-A106-33P-00
0023	DPX4NE-180M-34P-00	0125	DPX2NE-32W2MP57MP-34B-29	0042	DPXBNA-A106-33S-00
0024	DPX4NE-180M-34S-00	0126	DPX2NE-32W2MS57MS-34B-29	0083	DPXBNA-D8M-33P-00
0031	DPX4NE-228M-34P-00	0127	DPX2NE-32W2MP67MP-34B-29	0084	DPXBNA-D8M-33S-00
0032	DPX4NE-228M-34S-00	0128	DPX2NE-32W2MS67MS-34B-29	0135	DPXBNA-W8M-33P-00
0039	DPX4NE-268M-34P-00	0129	DPX2NE-32W2MPA106S-34B-29	0136	DPXBNA-W8M-33S-00
0040	DPX4NE-268M-34S-00	0130	DPX2NE-32W2MSA106P-34B-29	0137	DPXBNA-10W3M-33P-00
0047	DPX4NE-A424-34P-00	0131	DPX2NE-40W1MP40W1MP-34B-29	0138	DPXBNA-10W3M-33S-00
0048	DPX4NE-A424-34S-00	0132	DPX2NE-40W1MS40W1MS-34B-29	0139	DPXBNA-32W2M-33P-00
0061	DPX4NE-104M-34P-00	0133	DPX2NE-57MPA106S-34B-29	0140	DPXBNA-32W2M-33S-00
0062	DPX4NE-104M-34S-00	0134	DPX2NE-57MSA106P-34B-29	0141	DPXBNA-40W1M-33P-00
0063	DPX4NE-95M-34P-00	0145	DPX2NE-W8MP57MP-34B-29	0142	DPXBNA-40W1M-33S-00
0064	DPX4NE-95M-34S-00	0146	DPX2NE-W8MS57MS-34B-29	0149	DPXBNA-32W4M-33P-00
0085	DPX4NE-150M-34P-00	0147	DPX2NE-57MP26MP-34B-29	0150	DPXBNA-32W4M-33S-00
0086	DPX4NE-150M-34S-00	0148	DPX2NE-57MS26MS-34B-29		
0095	DPX4NE-326M-34SP-00	0151	DPX2NE-32W4MPA106S-34B-29	M81659/66A2-0001	DPXBNA-26M-34P-00
0096	DPX4NE-326M-34PS-00	0152	DPX2NE-32W4MSA106P-34B-29	0002	DPXBNA-26M-34S-00
0097	DPX4NE-287M-34SP-00	0155	DPX2NE-W8MP32W4MP-34B-29	0009	DPXBNA-40M-34P-00
0098	DPX4NE-287M-34PS-00	0156	DPX2NE-W8MS32W4MS-34B-29	0010	DPXBNA-40M-34S-00
0099	DPX4NE-189M-34SP-00	0159	DPX2NE-32W4MPW8MP-34B-29	0017	DPXBNA-45M-34P-00
0100	DPX4NE-189M-34PS-00	0160	DPX2NE-32W4MSW8MS-34B-29	0018	DPXBNA-45M-34S-00
0101	DPX4NE-346M-34SP-00			0025	DPXBNA-57M-34P-00
0102	DPX4NE-346M-34PS-00	M81659/63A2-0005	DPX3NE-78M-34P-29	0026	DPXBNA-57M-34S-00
M81659/61A2-0001	DPXBNE-26M-34P-29	0006	DPX3NE-78M-34S-29	0033	DPXBNA-67M-34P-00
0002	DPXBNE-26M-34S-29	0013	DPX3NE-120M-34P-29	0034	DPXBNA-67M-34S-00
0009	DPXBNE-40M-34P-29	0014	DPX3NE-120M-34S-29	0041	DPXBNA-A106-34P-00
0010	DPXBNE-40M-34S-29	0021	DPX3NE-135M-34P-29	0042	DPXBNA-A106-34S-00
0017	DPXBNE-45M-34P-29	0022	DPX3NE-135M-34S-29	0083	DPXBNA-D8M-34P-00
0018	DPXBNE-45M-34S-29	0029	DPX3NE-171M-34P-29	0084	DPXBNA-D8M-34S-00
0025	DPXBNE-57M-34P-29	0030	DPX3NE-171M-34S-29	0135	DPXBNA-W8M-34P-00
0026	DPXBNE-57M-34S-29	0037	DPX3NE-201M-34P-29	0136	DPXBNA-W8M-34S-00
0033	DPXBNE-67M-34P-29	0038	DPX3NE-201M-34S-29	0137	DPXBNA-10W3M-34P-00
0034	DPXBNE-67M-34S-29	0045	DPX3NE-A318-34P-29	0138	DPXBNA-10W3M-34S-00
0041	DPXBNE-A106-34P-29	0046	DPX3NE-A318-34S-29	0139	DPXBNA-32W4M-34P-00
0042	DPXBNE-A106-34S-29	0065	DPX3NE-24M-34P-29	0140	DPXBNA-32W2M-34S-00
0044	DPXBNE-A106-34S-29	0066	DPX3NE-24M-34S-29	0141	DPXBNA-40W1M-34P-00
0083	DPXBNE-D8M-34P-29	0067	DPX3NE-122M-34SP-29	0142	DPXBNA-40W1M-34S-00
0084	DPXBNE-D8M-34S-29	0068	DPX3NE-122M-34PS-29	0149	DPXBNA-32W4M-34P-00
0135	DPXBNE-W8M-34P-29	0073	DPX3NE-142M-34P-29	0150	DPXBNA-32W4M-34S-00
0136	DPXBNE-W8M-34S-29	0074	DPX3NE-142M-34S-29		
0137	DPXBNE-10W3M-34P-29	0075	DPX3NE-240M-34P-29	M81659/67A2-0001	DPXBNA-26M-34P-01
0138	DPXBNE-10W3M-34S-29	0076	DPX3NE-240M-34S-29	0002	DPXBNA-26M-34S-01
0139	DPXBNE-32W2M-34P-29	0079	DPX3NE-A240M-34SP-29	0009	DPXBNA-40M-34P-01
0140	DPXBNE-32W2M-34S-29	0080	DPX3NE-A240M-34PS-29	0010	DPXBNA-40M-34S-01
0141	DPXBNE-40W1M-34P-29	0091	DPX3NE-279M-34SP-29	0017	DPXBNA-45M-34P-01
0142	DPXBNE-40W1M-34S-29	0092	DPX3NE-279M-34PS-29	0018	DPXBNA-45M-34S-01
0149	DPXBNE-32W4M-34P-29	0157	DPX3NE-244M-34SP-29	0025	DPXBNA-57M-34P-01
0150	DPXBNE-32W4M-34S-29	0158	DPX3NE-244M-34PS-29	0026	DPXBNA-57M-34S-01
M81659/62A2-0003	DPX2NE-26MP26MP-34B-29	M81659/64A2-0007	DPX4NE-104M-34P-29	0033	DPXBNA-67M-34P-01
0004	DPX2NE-26MS26MS-34B-29	0008	DPX4NE-104M-34S-29	0034	DPXBNA-67M-34S-01
0011	DPX2NE-40MP40MP-34B-29	0015	DPX4NE-160M-34P-29	0041	DPXBNA-A106-34P-01
0012	DPX2NE-40MS40MS-34B-29	0016	DPX4NE-160M-34S-29	0042	DPXBNA-A106-34S-01
0019	DPX2NE-45MP45MP-34B-29	0023	DPX4NE-180M-34P-29	0083	DPXBNA-D8M-34P-01
0020	DPX2NE-45MS45MS-34B-29	0024	DPX4NE-180M-34S-29	0084	DPXBNA-D8M-34S-01
0027	DPX2NE-57MP57MP-34B-29	0031	DPX4NE-228M-34P-29	0135	DPXBNA-W8M-34P-01
0028	DPX2NE-57MS57MS-34B-29	0032	DPX4NE-228M-34S-29	0136	DPXBNA-W8M-34S-01
0035	DPX2NE-67MP67MP-34B-29	0039	DPX4NE-268M-34P-29	0137	DPXBNA-10W3M-34P-01
0036	DPX2NE-67MS67MS-34B-29	0040	DPX4NE-268M-34S-29	0138	DPXBNA-10W3M-34S-01
0043	DPX2NE-A106PA106P-34B-29	0047	DPX4NE-A424-34P-29	0139	DPXBNA-32W2M-34P-01
0044	DPX2NE-A106SA106S-34B-29	0048	DPX4NE-A424-34S-29	0140	DPXBNA-32W2M-34S-01
0057	DPX2NE-A106S26MP-34B-29	0061	DPX4NE-104M-34P-29	0141	DPXBNA-40W1M-34P-01
0058	DPX2NE-A106P26MS-34B-29	0062	DPX4NE-104M-34S-29	0142	DPXBNA-40W1M-34S-01
0059	DPX2NE-26MPA106S-34B-29	0063	DPX4NE-95M-34P-29	0149	DPXBNA-32W4M-34P-01
0060	DPX2NE-26MSA106P-34B-29	0064	DPX4NE-95M-34S-29	0150	DPXBNA-32W4M-34S-01
0071	DPX2NE-67MPA106S-34B-29	0085	DPX4NE-150M-34P-29		
0072	DPX2NE-67MSA106P-34B-29	0086	DPX4NE-150M-34S-29	M81659/68A2-0001	DPXBNA-26M-34P-23
0087	DPX2NE-A106SW8MP-34B-29	0095	DPX4NE-326M-34SP-29	0002	DPXBNA-26M-34S-23
0088	DPX2NE-A106PW8MS-34B-29	0096	DPX4NE-326M-34PS-29	0009	DPXBNA-40M-34P-23
0089	DPX2NE-A106S67MP-34B-29	0097	DPX4NE-287M-34S-29	0010	DPXBNA-40M-34S-23
0090	DPX2NE-A106P67MS-34B-29	0098	DPX4NE-287M-34PS-29	0017	DPXBNA-45M-34P-23
0109	DPX2NE-C2P40W1MP-34B-29	0099	DPX4NE-189M-34S-29	0018	DPXBNA-45M-34S-23
0110	DPX2NE-C2S40W1MS-34B-29	0100	DPX4NE-189M-34PS-29	0025	DPXBNA-57M-34P-23
0111	DPX2NE-C2P57MP-34B-29	0101	DPX4NE-346M-34SP-29	0026	DPXBNA-57M-34S-23
0112	DPX2NE-C2S57MS-34B-29	0102	DPX4NE-346M-34PS-29	0033	DPXBNA-67M-34P-23
0113	DPX2NE-AC3P67MP-34B-29			0034	DPXBNA-67M-34S-23
0114	DPX2NE-AC3S67MS-34B-29	M81659/65A2-0001	DPXBNA-26M-33P-00	0041	DPXBNA-A106-34P-23
0115	DPX2NE-AC3PA106S-34B-29	0002	DPXBNA-26M-33S-00	0042	DPXBNA-A106-34S-23
0116	DPX2NE-AC3SA106P-34B-29	0009	DPXBNA-40M-33P-00	0083	DPXBNA-D8M-34P-23
0117	DPX2NE-W8MPA106S-34B-29	0010	DPXBNA-40M-33S-00	0084	DPXBNA-D8M-34S-23
0118	DPX2NE-W8MSA106P-34B-29	0017	DPXBNA-45M-33P-00	0135	DPXBNA-W8M-34P-23
0119	DPX2NE-10W3P32W2MP-34B-29	0018	DPXBNA-45M-33S-00	0136	DPXBNA-W8M-34S-23
0120	DPX2NE-10W3S32W2MS-34B-29	0025	DPXBNA-57M-33P-00	0137	DPXBNA-10W3M-34P-23

Cross Reference from Military to Cannon Part Numbers (continued)

Military Part Number	Cannon Part Number	Military Part Number	Cannon Part Number	Military Part Number	Cannon Part Number
M81659/68A2-0138	DPXBNA-10W3M-34S-23	M81659/70A2-0060	DPX2NA-26MSA106P-34B-00	M81659/71A2-0126	DPX2NA-32W2MS57MS-34B-01
0139	DPXBNA-32W2M-34P-23	0071	DPX2NA-67MPA106S-34B-00	0127	DPX2NA-32W2MP67MP-34B-01
0140	DPXBNA-32W2M-34S-23	0072	DPX2NA-67MSA106P-34B-00	0128	DPX2NA-32W2MS67MS-34B-01
0141	DPXBNA-40W1M-34P-23	0087	DPX2NA-A106SW8MP-34B-00	0129	DPX2NA-32W2MPA106S-34B-01
0142	DPXBNA-40W1M-34S-23	0088	DPX2NA-A106PW8MS-34B-00	0130	DPX2NA-32W2MSA106P-34B-01
0149	DPXBNA-32W4M-34P-23	0089	DPX2NA-A106S67MP-34B-00	0131	DPX2NA-40W1MP40W1MP-34B-01
0150	DPXBNA-32W4M-34S-23	0090	DPX2NA-A106P67MS-34B-00	0132	DPX2NA-40W1MS40W1MS-34B-01
M81659/69A2-0003	DPX2NA-26MP26MP-33B-00	0109	DPX2NA-C2P40W1MP-34B-00	0133	DPX2NA-57MPA106S-34B-01
0004	DPX2NA-26MS26MS-33B-00	0110	DPX2NA-C2S40W1MS-34B-00	0134	DPX2NA-57MSA106P-34B-01
0011	DPX2NA-40MP40MP-33B-00	0111	DPX2NA-C2P57MP-34B-00	0145	DPX2NA-W8MP57MP-34B-01
0012	DPX2NA-40MS40MS-33B-00	0112	DPX2NA-C2S57MS-34B-00	0146	DPX2NA-W8MS57MS-34B-01
0019	DPX2NA-45MP45MP-33B-00	0113	DPX2NA-AC3P67MP-34B-00	0147	DPX2NA-57MP26MP-34B-01
0020	DPX2NA-45MS45MS-33B-00	0114	DPX2NA-AC3S67MS-34B-00	0148	DPX2NA-57MS26MS-34B-01
0027	DPX2NA-57MP57MP-33B-00	0115	DPX2NA-AC3PA106S-34B-00	0151	DPX2NA-32W4MPA106S-34B-01
0028	DPX2NA-57MS57MS-33B-00	0116	DPX2NA-AC3SA106P-34B-00	0152	DPX2NA-32W4MSA106P-34B-01
0035	DPX2NA-67MP67MP-33B-00	0117	DPX2NA-W8MPA106S-34B-00	0155	DPX2NA-W8MP32W4MP-34B-01
0036	DPX2NA-67MS67MS-33B-00	0118	DPX2NA-W8MSA106P-34B-00	0156	DPX2NA-W8MS32W4MS-34B-01
0043	DPX2NA-A106PA106P-33B-00	0119	DPX2NA-10W3P32W2MP-34B-00	0159	DPX2NA-32W4MPW8MP-34B-01
0044	DPX2NA-A106SA106S-33B-00	0120	DPX2NA-10W3S32W2MS-34B-00	0160	DPX2NA-32W4MSW8MS-34B-01
0057	DPX2NA-A106S26MP-33B-00	0121	DPX2NA-32W2MP40W1MP-34B-00	M81659/72A2-0003	DPX2NA-26MP26MP-34B-23
0058	DPX2NA-A106P26MS-33B-00	0122	DPX2NA-32W2MS40W1MS-34B-00	0004	DPX2NA-26MS26MS-34B-23
0059	DPX2NA-26MPA106S-33B-00	0123	DPX2NA-32W2MP45MP-34B-00	0011	DPX2NA-40MP40MP-34B-23
0060	DPX2NA-26MSA106P-33B-00	0124	DPX2NA-32W2MS45MS-34B-00	0012	DPX2NA-40MS40MS-34B-23
0071	DPX2NA-67MPA106S-33B-00	0125	DPX2NA-32W2MP57MP-34B-00	0019	DPX2NA-45MP45MP-34B-23
0072	DPX2NA-67MSA106P-33B-00	0126	DPX2NA-32W2MS57MS-34B-00	0020	DPX2NA-45MS45MS-34B-23
0087	DPX2NA-A106SW8MP-33B-00	0127	DPX2NA-32W2MP67MP-34B-00	0027	DPX2NA-57MP57MP-34B-23
0088	DPX2NA-A106PW8MS-33B-00	0128	DPX2NA-32W2MS67MS-34B-00	0028	DPX2NA-57MS57MS-34B-23
0089	DPX2NA-A106S67MP-33B-00	0129	DPX2NA-32W2MPA106S-34B-00	0035	DPX2NA-67MP67MP-34B-23
0090	DPX2NA-A106P67MS-33B-00	0130	DPX2NA-32W2MSA106P-34B-00	0036	DPX2NA-67MS67MS-34B-23
0109	DPX2NA-C2P40W1MP-33B-00	0131	DPX2NA-40W1MP40W1MP-34B-00	0043	DPX2NA-A106PA106P-34B-23
0110	DPX2NA-C2S40W1MS-33B-00	0132	DPX2NA-40W1MS40W1MS-34B-00	0044	DPX2NA-A106SA106S-34B-23
0111	DPX2NA-C2P57MP-33B-00	0133	DPX2NA-57MPA106S-34B-00	0057	DPX2NA-A106S26MP-34B-23
0112	DPX2NA-C2S57MS-33B-00	0134	DPX2NA-57MSA106P-34B-00	0058	DPX2NA-A106P26MS-34B-23
0113	DPX2NA-AC3P67MP-33B-00	0145	DPX2NA-W8MP57MP-34B-00	0059	DPX2NA-26MPA106S-34B-23
0114	DPX2NA-AC3S67MS-33B-00	0146	DPX2NA-W8MS57MS-34B-00	0060	DPX2NA-26MSA106P-34B-23
0115	DPX2NA-AC3PA106S-33B-00	0147	DPX2NA-57MP26MP-34B-00	0071	DPX2NA-26MPA106S-34B-23
0116	DPX2NA-AC3SA106P-33B-00	0148	DPX2NA-57MS26MS-34B-00	0072	DPX2NA-67MPA106P-34B-23
0117	DPX2NA-W8MPA106S-33B-00	0151	DPX2NA-32W4MPA106S-34B-00	0087	DPX2NA-A106SW8MP-34B-23
0118	DPX2NA-W8MSA106P-33B-00	0152	DPX2NA-32W4MSA106P-34B-00	0088	DPX2NA-A106PW8MS-34B-23
0119	DPX2NA-10W3P32W2MP-33B-00	0155	DPX2NA-W8MP32W4MP-34B-00	0089	DPX2NA-A106S67MP-34B-23
0120	DPX2NA-10W3S32W2MS-33B-00	0156	DPX2NA-W8MS32W4MS-34B-00	0090	DPX2NA-A106P67MS-34B-23
0121	DPX2NA-32W2MP40W1MP-33B-00	0159	DPX2NA-32W4MPW8MP-34B-00	0109	DPX2NA-C2P40W1MP-34B-23
0122	DPX2NA-32W2MS40W1MS-33B-00	0160	DPX2NA-32W4MSW8MS-34B-00	0110	DPX2NA-C2S40W1MS-34B-23
0123	DPX2NA-32W2MP45MP-33B-00	M81659/71A2-0003	DPX2NA-26MP26MP-34B-01	0111	DPX2NA-C2P57MP-34B-23
0124	DPX2NA-32W2MS45MS-33B-00	0004	DPX2NA-26MS26MS-34B-01	0112	DPX2NA-C2S57MS-34B-23
0125	DPX2NA-32W2MP57MP-33B-00	0011	DPX2NA-40MP40MP-34B-01	0113	DPX2NA-AC3P67MP-34B-23
0126	DPX2NA-32W2MS57MS-33B-00	0012	DPX2NA-40MS40MS-34B-01	0114	DPX2NA-AC3S67MS-34B-23
0127	DPX2NA-32W2MP67MP-33B-00	0019	DPX2NA-45MP45MP-34B-01	0115	DPX2NA-AC3PA106S-34B-23
0128	DPX2NA-32W2MS67MS-33B-00	0020	DPX2NA-45MS45MS-34B-01	0116	DPX2NA-AC3SA106P-34B-23
0129	DPX2NA-32W2MPA106S-33B-00	0027	DPX2NA-57MP57MP-34B-01	0117	DPX2NA-W8MPA106S-34B-23
0130	DPX2NA-32W2MSA106P-33B-00	0028	DPX2NA-57MS57MS-34B-01	0118	DPX2NA-W8MSA106P-34B-23
0131	DPX2NA-40W1MP40W1MP-33B-00	0035	DPX2NA-67MP67MP-34B-01	0119	DPX2NA-10W3P32W2MP-34B-23
0132	DPX2NA-40W1MS40W1MS-33B-00	0036	DPX2NA-67MS67MS-34B-01	0120	DPX2NA-10W3S32W2MS-34B-23
0133	DPX2NA-57MPA106S-33B-00	0043	DPX2NA-A106PA106P-34B-01	0121	DPX2NA-32W2MP40W1MP-34B-23
0134	DPX2NA-57MSA106P-33B-00	0044	DPX2NA-A106SA106S-34B-01	0122	DPX2NA-32W2MS40W1MS-34B-23
0145	DPX2NA-W8MP57MP-33B-00	0057	DPX2NA-A106S26MP-34B-01	0123	DPX2NA-32W2MP45MP-34B-23
0146	DPX2NA-W8MS57MS-33B-00	0058	DPX2NA-A106P26MS-34B-01	0124	DPX2NA-32W2MS45MS-34B-23
0147	DPX2NA-57MP26MP-33B-00	0059	DPX2NA-26MPA106S-34B-01	0125	DPX2NA-32W2MP57MP-34B-23
0148	DPX2NA-57MS26MS-33B-00	0060	DPX2NA-26MSA106P-34B-01	0126	DPX2NA-32W2MS57MS-34B-23
0151	DPX2NA-32W4MPA106S-33B-00	0071	DPX2NA-67MPA106S-34B-01	0127	DPX2NA-32W2MP67MP-34B-23
0152	DPX2NA-32W4MSA106P-33B-00	0072	DPX2NA-67MSA106P-34B-01	0128	DPX2NA-32W2MS67MS-34B-23
0155	DPX2NA-W8MP32W4MP-33B-00	0087	DPX2NA-A106SW8MP-34B-01	0129	DPX2NA-32W2MPA106S-34B-23
0156	DPX2NA-W8MS32W4MS-33B-00	0088	DPX2NA-A106PW8MS-34B-01	0130	DPX2NA-32W2MSA106P-34B-23
0159	DPX2NA-32W4MPW8MP-33B-00	0089	DPX2NA-A106S67MP-34B-01	0131	DPX2NA-40W1MP40W1MP-34B-23
0160	DPX2NA-32W4MSW8MS-33B-00	0090	DPX2NA-A106P67MS-34B-01	0132	DPX2NA-40W1MS40W1MS-34B-23
M81659/70A2-0003	DPX2NA-26MP26MP-34B-00	0109	DPX2NA-C2P40W1MP-34B-01	0133	DPX2NA-57MPA106S-34B-23
0004	DPX2NA-26MS26MS-34B-00	0110	DPX2NA-C2S40W1MS-34B-01	0134	DPX2NA-57MSA106P-34B-23
0011	DPX2NA-40MP40MP-34B-00	0111	DPX2NA-C2P57MP-34B-01	0145	DPX2NA-W8MP57MP-34B-23
0012	DPX2NA-40MS40MS-34B-00	0112	DPX2NA-C2S57MS-34B-01	0146	DPX2NA-W8MS57MS-34B-23
0019	DPX2NA-45MP45MP-34B-00	0113	DPX2NA-AC3P67MP-34B-01	0147	DPX2NA-57MP26MP-34B-23
0020	DPX2NA-45MS45MS-34B-00	0114	DPX2NA-AC3S67MS-34B-01	0148	DPX2NA-57MS26MS-34B-23
0027	DPX2NA-57MP57MP-34B-00	0115	DPX2NA-AC3PA106S-34B-01	0151	DPX2NA-32W4MPA106S-34B-23
0028	DPX2NA-57MS57MS-34B-00	0116	DPX2NA-AC3SA106P-34B-01	0152	DPX2NA-32W4MSA106P-34B-23
0035	DPX2NA-67MP67MP-34B-00	0117	DPX2NA-W8MPA106S-34B-01	0155	DPX2NA-W8MP32W4MP-34B-23
0036	DPX2NA-67MS67MS-34B-00	0118	DPX2NA-W8MSA106P-34B-01	0156	DPX2NA-W8MS32W4MS-34B-23
0043	DPX2NA-A106PA106P-34B-00	0119	DPX2NA-10W3P32W2MP-34B-01	0159	DPX2NA-32W4MPW8MP-34B-23
0044	DPX2NA-A106SA106S-34B-00	0120	DPX2NA-10W3S32W2MS-34B-01	0160	DPX2NA-32W4MSW8MS-34B-23
0057	DPX2NA-A106S26MP-34B-00	0121	DPX2NA-32W2MP40W1MP-34B-01		
0058	DPX2NA-A106P26MS-34B-00	0122	DPX2NA-32W2MS40W1MS-34B-01		
0059	DPX2NA-26MPA106P-34B-00	0123	DPX2NA-32W2MP45MP-34B-01		
		0124	DPX2NA-32W2MS45MS-34B-01		
		0125	DPX2NA-32W2MP57MP-34B-01		

Rack and Panel Connectors

Coaxial Cable Reference Guide

Rack and Panel Connectors

For BKA\*, DPX Series (Crimp, & Solder)  
Reference MIL-C-170 & DPX NE/NA MIL-C-81659 Series

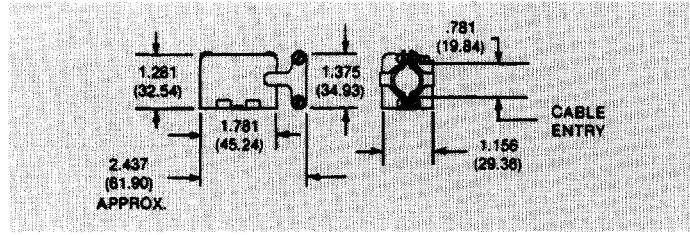
RG/U Type	Inner Conductor	Dielectric Material	DOB (Inch)	Jacket Material	O.D. (Inch)	Weight (lbs./ft)	Max. Oper. Temp. Range (°C)	Max. Oper. Voltage (Volts RMS)	Suggested Alt. Cable	Code Crimp Type Coax	Code Solder Type Coax	DPX NE/NA Military
7	0.0359"	Air-space PE	0.250	PVC	0.370	0.080	-40 + 80	1,000	Use RG63B	—	I	—
9	0.0855"	PE	0.280	PVC	0.420	0.140	-40 + 80	4,000	Use RG214	—	R,AC	—
55	0.0320"	PE	0.116	PE	0.206 Max.	0.032	-55 + 80	1,900	Use RG55B	S	C,J	—
58	0.0320" 8C	PE	0.116	PVC	0.195	0.029	-40 + 80	1,900	Use RG58B	D,P,G J,AC,AD	C,J,Z, AB	Size 5/9 Seal 1
59	0.0253"	PE	0.146	PVC	0.242	0.032	-40 + 80	2,300	Use RG59B	A,FT	D	—
59B	0.0230"	PE	0.146	PVC	0.242	0.032	-40 + 80	2,300	Use up to 1000 MHz	—	—	—
62	0.0253"	Air-space PE	0.146	PVC	0.242	0.038	-40 - 80	750	Use RG62A	A,FT	E	—
62A	0.0253"	Air-space PE	0.146	PVC	0.242	0.038	-40 + 80	750	—	—	—	—
71	0.0253"	Air-space PE	0.146	PVC	0.250 Max.	0.046	-40 + 80	750	Use RG71B	—	E	—
115	0.0840"	PTFE	0.250	FG Braid	0.375	0.148	-55 + 250	5,000	Use RG115A	V	—	—
142	0.0359"	PTFE	0.116	FG Braid	0.206 Max.	0.047	-55 + 250	1,900	Use RG142A	S,AE	—	Size 5/9 Seal 1
142B	0.0390"	PTFE	0.116	FEP	0.195	0.050	-55 + 200	1,900	—	—	—	—
174	0.0189"	PE	0.060	PVC	0.100	0.008	-40 + 80	1,500	—	D,H,U, AF	—	Size 5/9 Seal 2
178	0.0120"	PTFE	0.036	KEL-F	0.079 Max.	0.0054	-40 + 150	1,000	Use RG178B	E,R,K,AG, L,MAF	—	Size 5/9 Seal 1
179	0.0120"	PTFE	0.057	KEL-F	0.094 Max.	0.010	-55 + 150	1,200	Use RG179B	D,H,U, AF	—	Size 5/9 Seal 1 Seal 2
179B	0.0120"	PTFE	0.063	FEP	0.100	0.010	-55 + 200	1,200	—	—	—	—
180	0.0120"	PTFE	0.103	KEL-F	0.141 Max.	0.019	-40 + 150	1,500	Use RG180B	C,AB	B	Size 5/9 Seal 1
180B	0.0120"	PTFE	0.102	FEP	0.145 Max.	0.019	-55 + 200	1,500	—	AB	—	—
187	0.0120"	PTFE	0.060	PTFE	0.110 Max.	0.010	-55 + 250	1,200	Use RG179B	D,H,U, AF	A,K	—
188	0.0201"	PTFE	0.060	PTFE	0.110 Max.	0.011	-55 + 250	1,200	Use RG316	D,H,U, AF	A,K	—
195		PTFE	0.102	PTFE	0.155 Max.	0.020	-55 + 250	1,500	Use RG180B	C,AB	B	—
196		PTFE	0.034	PTFE	0.080 Max.	0.006	-55 + 250	1,000	Use RG178B	E,R,K, L,AA,AG	AA	Size 5/9 Seal 1
214	0.0888"	PE	0.285	PVC	0.425	0.126	-40 - 80	5,000	—	—	R,AC	—
223	0.035"	PE	0.116	PVC	0.216 Max.	0.034	-40 + 80	1,900	—	—	C,J	—
225	0.0936"	PTFE	0.285	FG Braid	0.430	0.180	-55 + 250	5,000	—	—	—	Size 5/9 Seal 2
316	0.0201"	PTFE	0.060	FEP	0.102	0.012	-55 + 200	1,200	Use RG188A	—	—	Size 5/9 Seal 2
393	0.0936"	PTFE	0.285	FEP	0.390	0.165	-55 + 200	5,000	Use RG225	—	—	—
400	0.0385"	PTFE	0.116	FEP	0.195	0.050	-55 + 200	1,900	—	—	—	—
402	0.0360"	PTFE	0.119	None	0.141	0.032	-55 + 200	2,500	Use RG142B	—	—	—

NOTE: This table is shown for reference only. ITT Cannon recommends that the above information be used as a guideline and may be subject to variation between various cable manufacturers. For specific information concerning the actual physical characteristics of a specific cable, contact the manufacturer.



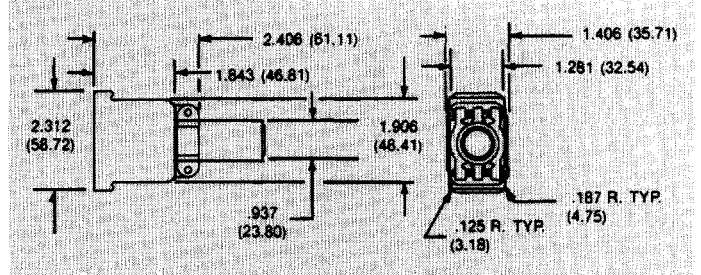
Junction Shells

90° Angle



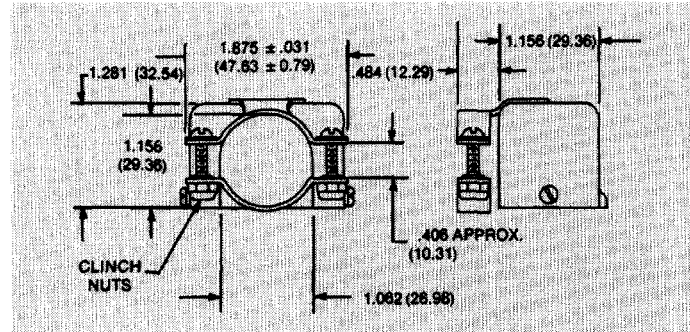
Style	Part Number
(Right) DPXA	20745-22
(Left) DPXA	20745-23
(Right) DPX2	20745-10
(Left) DPX2	20745-11

(DPXA ONLY)  
DIECAST STRAIGHT JUNCTION SHELL



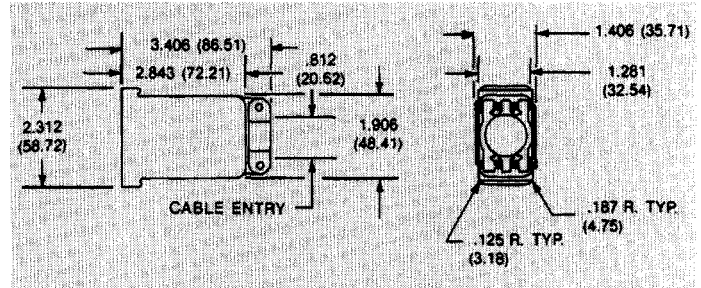
Style	Part Number
DPXA	22017

90° ANGLE DPX2  
JUNCTION SHELL (SIDE OUTLET)



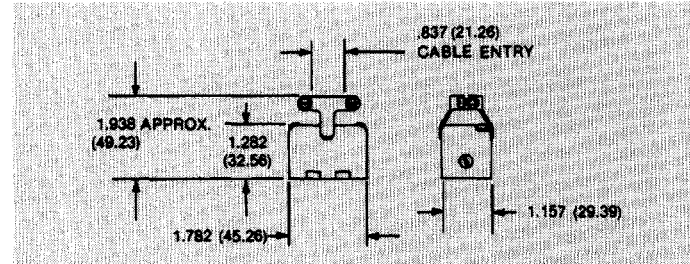
Style	Part Number
DPX2	20745-12

(DPXA ONLY)  
DIECAST STRAIGHT JUNCTION SHELL (LONG)



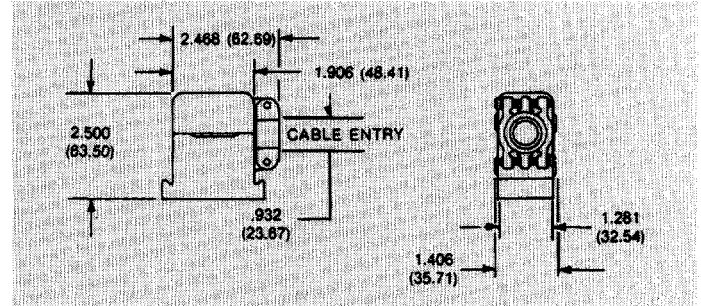
Style	Part Number
DPXA	22017-2

STRAIGHT JUNCTION SHELL



Style	Part Number
DPXA	20745-21
DPX2	20745-8

(DPXA ONLY)  
DIECAST 90° ANGLE JUNCTION SHELL

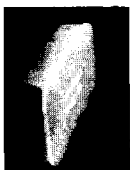


Style	Part Number
DPXA	22017-1

Diecast junction shells may be used on DPXA connectors. They have 4-40 NC-2B tapped mounting holes for attaching to the shell mounting hardware.

\* DPX2 Junction Shells are also used on DPXB connectors.

Dust Caps



34

DPXA-60 for 34 Shells  
025-0762-000  
DPXB-60 for 34 Shells  
025-0767-000

Conductive  
DPXB-60-1 for 34 Shell  
Conductive Dust Caps  
025-0767-001  
Protect Against  
Static Electricity



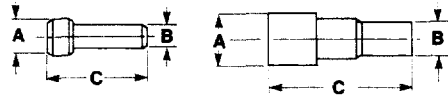
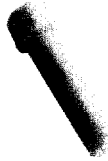
33

DPXA-59 for 33 Shells  
025-0749-000  
Also used on DPXB-33

Conductive  
DPXA-59 for 33 Shell  
025-0749-001

**Sealing Plugs**

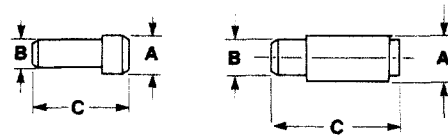
P/N 225-0090-000 Only  
Material: Teflon



Part Number	Contact Size	Color	A	B	C
225-1013-000	22	Black	.063 (1.6)	.040 (1.0)	.469 (11.9)
225-0070-000	20	Red	.085 (2.2)	.065 (1.6)	.469 (11.9)
225-0071-000	16	Blue	.115 (2.9)	.075 (1.9)	.469 (11.9)
225-0072-000	12	Yellow	.171 (4.3)	.121 (3.1)	.564 (14.3)
225-0090-000	#5 and #9 Coax	White	.365 (9.3)	.287 (7.3)	.835 (21.2)

**Filler Plugs**

P/N 225-0099-000 Only  
Material: Thermoplastic



(See Customer Use Drawing for details)

Part Number	Contact Size	Color	A	B	C
225-0094-000	22	Black	.069 (1.7)	.051 (1.3)	.420 (10.7)
225-0095-000	20	Red	.083 (2.1)	.069 (1.7)	.350 (8.9)
225-0096-000	16	Blue	.131 (3.3)	.108 (2.7)	.320 (8.1)
225-0097-000	12	Yellow	.187 (4.7)	.156 (4.0)	.320 (8.1)
225-0098-000	#5 Coax (Pin)	White	.275 (7.0)	.251 (6.4)	.450 (11.4)
225-0099-000	#5 and #9 Coax (Socket)	White	.275 (7.0)	.251 (6.4)	1.061 (26.9)