

NE5550979A

R09DS0031EJ0300

Rev.3.00

Silicon Power LDMOS FET

Mar 12, 2013

FEATURES

- High Output Power : $P_{out} = 39.5$ dBm TYP. ($V_{DS} = 7.5$ V, $I_{Dset} = 200$ mA, $f = 460$ MHz, $P_{in} = 25$ dBm)
- High power added efficiency : $\eta_{add} = 66\%$ TYP. ($V_{DS} = 7.5$ V, $I_{Dset} = 200$ mA, $f = 460$ MHz, $P_{in} = 25$ dBm)
- High Linear gain : $G_L = 22$ dB TYP. ($V_{DS} = 7.5$ V, $I_{Dset} = 200$ mA, $f = 460$ MHz, $P_{in} = 10$ dBm)
- High ESD tolerance : ESD tolerance > 8 kV (IEC61000-4-2, Contact discharge)
- Suitable for VHF to UHF-BAND Class-AB power amplifier.

APPLICATIONS

- 150 MHz Band Radio System
- 460 MHz Band Radio System
- 900 MHz Band Radio System

ORDERING INFORMATION

Part Number	Order Number	Package	Marking	Supplying Form
NE5550979A	NE5550979A-A	79A (Pb Free)	W6	<ul style="list-style-type: none"> • 12 mm wide embossed taping • Gate pin faces the perforation side of the tape
NE5550979A-T1	NE5550979A-T1-A			<ul style="list-style-type: none"> • 12 mm wide embossed taping • Gate pin faces the perforation side of the tape • Qty 1 kpcs/reel
NE5550979A-T1A	NE5550979A-T1A-A			<ul style="list-style-type: none"> • 12 mm wide embossed taping • Gate pin faces the perforation side of the tape • Qty 5 kpcs/reel

Remark To order evaluation samples, please contact your nearby sales office.

Part number for sample order: NE5550979A

ABSOLUTE MAXIMUM RATINGS ($T_A = 25^\circ\text{C}$, unless otherwise specified)

Operation in excess of any one of these parameters may result in permanent damage.

Parameter	Symbol	Ratings	Unit
Drain to Source Voltage	V_{DS}	30	V
Gate to Source Voltage	V_{GS}	6.0	V
Drain Current	I_{DS}	3.0	A
Total Power Dissipation ^{Note}	P_{tot}	25	W
Channel Temperature	T_{ch}	150	$^\circ\text{C}$
Storage Temperature	T_{stg}	-55 to +150	$^\circ\text{C}$

Note: Value at $T_C = 25^\circ\text{C}$

CAUTION

Observe precautions when handling because these devices are sensitive to electrostatic discharge.

The mark <R> shows major revised points.

The revised points can be easily searched by copying an "<R>" in the PDF file and specifying it in the "Find what:" field.

RECOMMENDED OPERATING RANGE ($T_A = 25^\circ\text{C}$)

Parameter	Symbol	Test Conditions	MIN.	TYP.	MAX.	Unit
Drain to Source Voltage	V_{DS}		–	7.5	9.0	V
Gate to Source Voltage	V_{GS}		1.65	2.20	2.85	V
Drain Current	I_{DS}		–	1.7	–	A
Input Power	P_{in}	$f = 460 \text{ MHz}, V_{DS} = 7.5 \text{ V}$	–	25	30	dBm

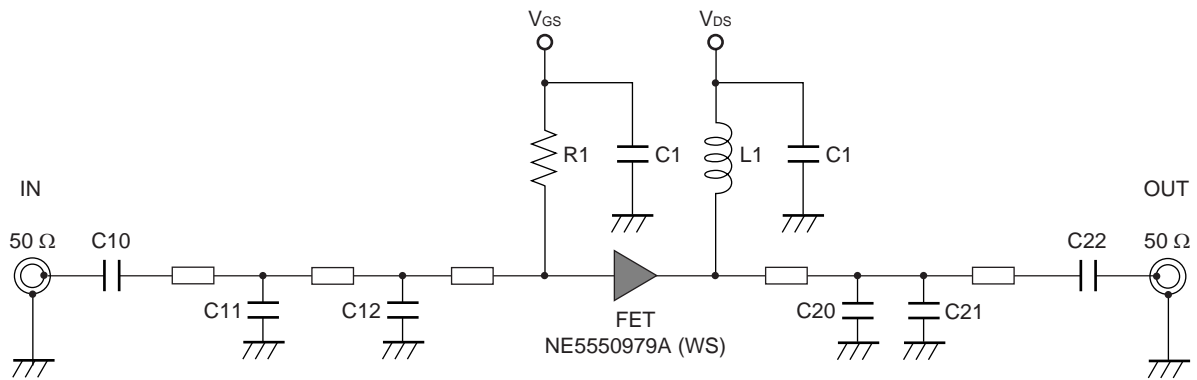
ELECTRICAL CHARACTERISTICS ($T_A = 25^\circ\text{C}$, unless otherwise specified)

Parameter	Symbol	Test Conditions	MIN.	TYP.	MAX.	Unit
DC Characteristics						
Gate to Source Leakage Current	I_{GSS}	$V_{GS} = 6.0 \text{ V}$	–	–	100	nA
Drain to Source Leakage Current (Zero Gate Voltage Drain Current)	I_{DSS}	$V_{DS} = 25 \text{ V}$	–	–	10	μA
Gate Threshold Voltage	V_{th}	$V_{DS} = 7.5 \text{ V}, I_{DS} = 1.0 \text{ mA}$	1.15	1.65	2.25	V
Drain to Source Breakdown Voltage	BV_{DSS}	$I_{DS} = 10 \mu\text{A}$	25	37	–	V
Transconductance	G_m	$V_{DS} = 7.5 \text{ V}, I_{DS} = 700 \pm 100 \text{ mA}$	1.8	2.2	2.9	S
Thermal Resistance	R_{th}	Channel to Case	–	5.0	–	$^\circ\text{C/W}$
RF Characteristics						
Output Power	P_{out}	$f = 460 \text{ MHz}, V_{DS} = 7.5 \text{ V},$	38.5	39.5	–	dBm
Drain Current	I_{DS}	$P_{in} = 25 \text{ dBm},$	–	1.70	–	A
Power Drain Efficiency	η_d	$I_{Dset} = 200 \text{ mA (RF OFF)}$	–	68	–	%
Power Added Efficiency	η_{add}		–	66	–	%
Linear Gain	G_L ^{Note 1}		–	22.0	–	dB
Output Power	P_{out}	$f = 157 \text{ MHz}, V_{DS} = 7.5 \text{ V},$	–	39.6	–	dBm
Drain Current	I_{DS}	$P_{in} = 23 \text{ dBm},$	–	1.60	–	A
Power Drain Efficiency	η_d	$I_{Dset} = 200 \text{ mA (RF OFF)}$	–	75	–	%
Power Added Efficiency	η_{add}		–	73	–	%
Linear Gain	G_L ^{Note 2}		–	25.0	–	dB
Output Power	P_{out}	$f = 900 \text{ MHz}, V_{DS} = 7.5 \text{ V},$	–	38.6	–	dBm
Drain Current	I_{DS}	$P_{in} = 27 \text{ dBm},$	–	1.76	–	A
Power Drain Efficiency	η_d	$I_{Dset} = 200 \text{ mA (RF OFF)}$	–	55	–	%
Power Added Efficiency	η_{add}		–	52	–	%
Linear Gain	G_L ^{Note 1}		–	16.0	–	dB

Note 1 : $P_{in} = 10 \text{ dBm}$ Note 2 : $P_{in} = 5 \text{ dBm}$ **Remark** DC performance is 100% testing. RF performance is testing several samples per wafer.

Wafer rejection criteria for standard devices is 1 reject for several samples.

TEST CIRCUIT SCHEMATIC FOR 460 MHz

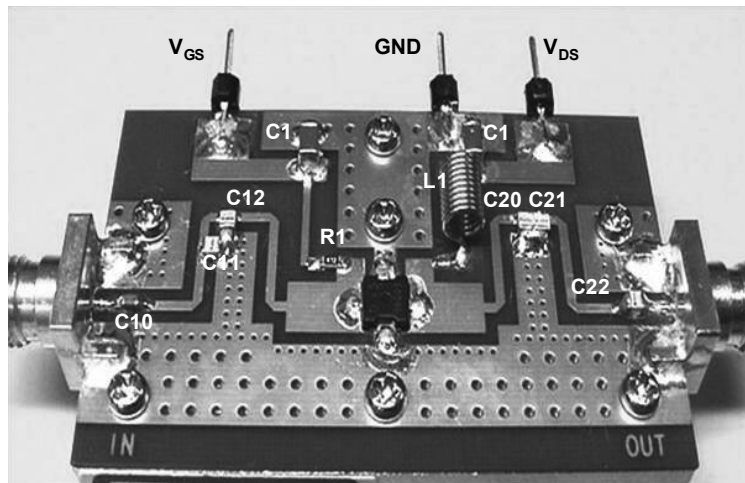


COMPONENTS OF TEST CIRCUIT FOR MEASURING ELECTRICAL CHARACTERISTICS

Symbol	Value	Type	Maker
C1	1 μ F	GRM31CR72A105KA01B	Murata
C10	100 pF	GRM1882C1H101JA01	Murata
C11	24 pF	ATC100A240JW	American Technical Ceramics
C12	2.4 pF	ATC100A2R4BW	American Technical Ceramics
C20	27 pF	ATC100A270JW	American Technical Ceramics
C21	1.8 pF	ATC100A1R8BW	American Technical Ceramics
C22	100 pF	ATC100A101JW	American Technical Ceramics
R1	4.7 k Ω	1/10 W Chip Resistor SSM_RG1608PB472	SSM
L1	123 nH	ϕ 0.5 mm, ϕ D = 3 mm, 10 Turns	Ohesangyou
PCB	-	R1766, t = 0.4 mm, ϵ r = 4.5, size = 30 \times 48 mm	Panasonic
SMA Connector	-	WAKA 01K0790-20	WAKA

<R>

COMPONENT LAYOUT OF TEST CIRCUIT FOR 460 MHz

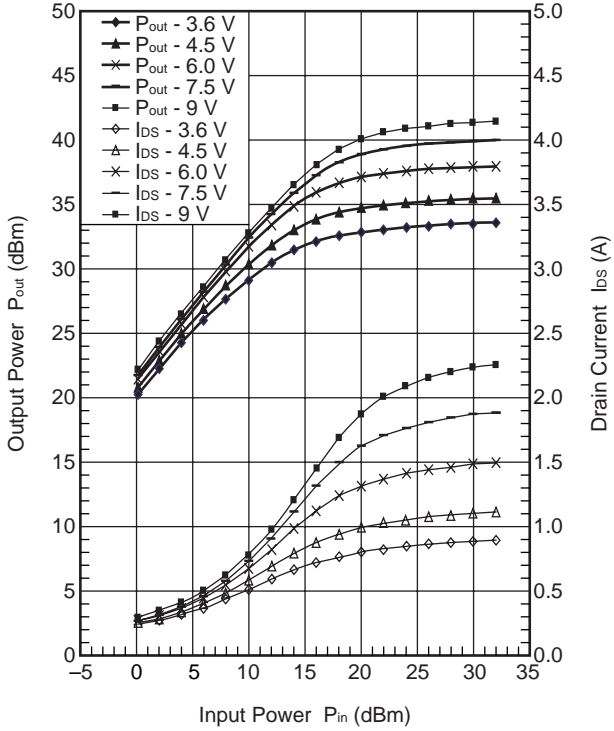


TYPICAL CHARACTERISTICS 1 (T_A = 25°C)

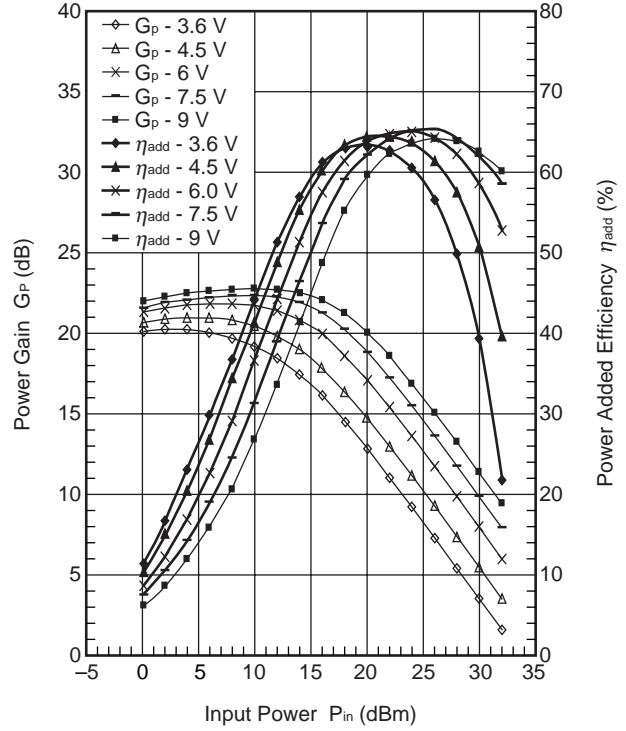
R: f = 460MHz, V_{DS} = 3.6/4.5/6/7.5/8.4/9 V, I_{Dset} = 200 mA, P_{in} = 0 to 32 dBm

IM: f1 = 460MHz, f2 = 461 MHz, V_{DS} = 3.6/4.5/6/7.5/8.4/9 V, I_{Dset} = 200mA, P_{out} (2 tone) = 12 to 38 dBm

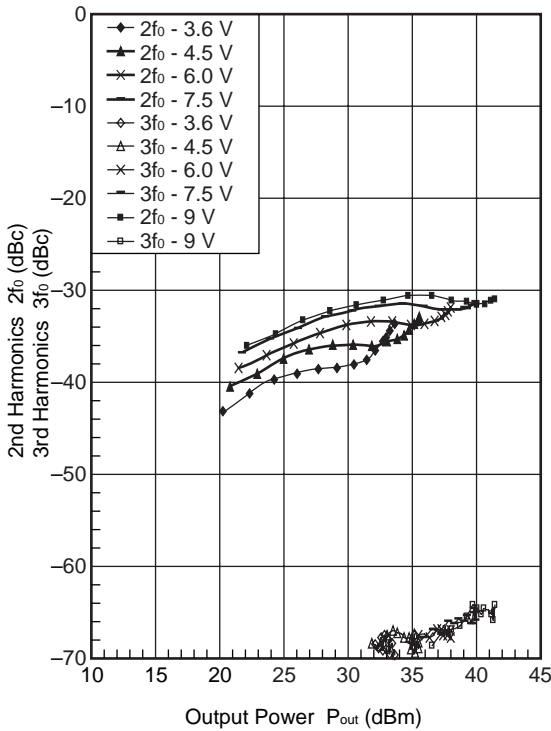
OUTPUT POWER, DRAIN CURRENT vs. INPUT POWER



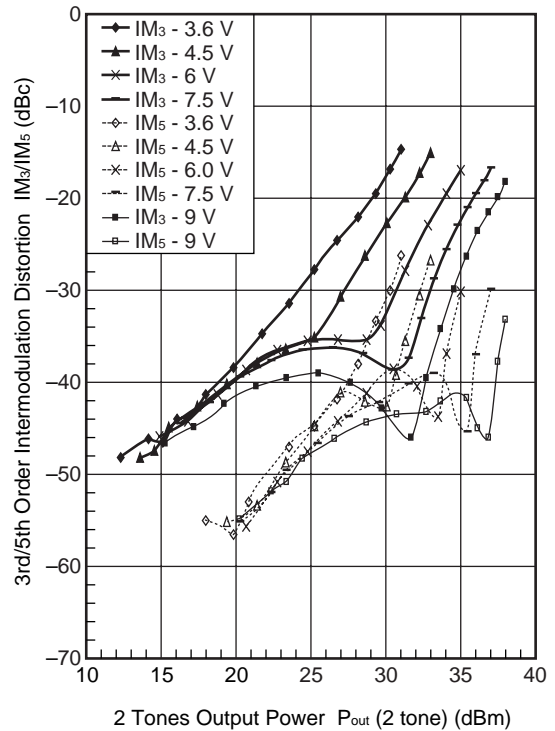
POWER GAIN, POWER ADDED EFFICIENCY vs. INPUT POWER



2f₀, 3f₀ vs. OUTPUT POWER

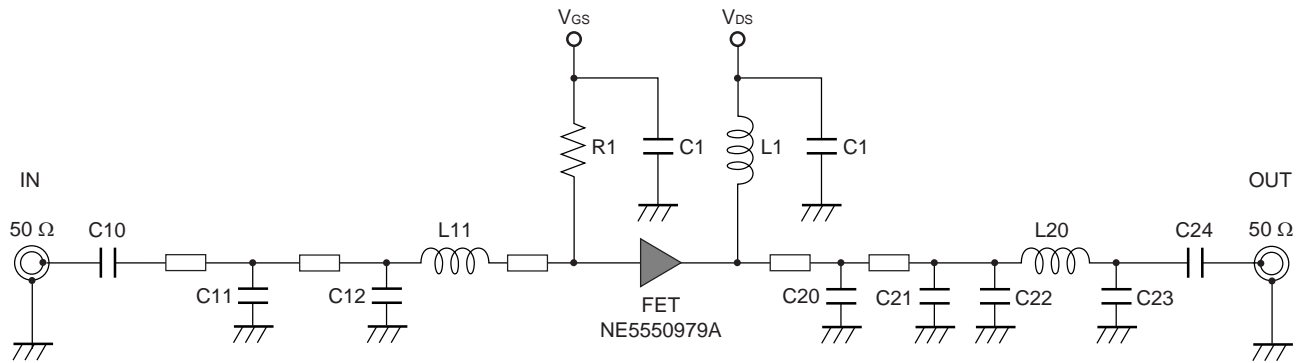


IM₃/IM₅ vs. 2 TONES OUTPUT POWER



Remark The graphs indicate nominal characteristics.

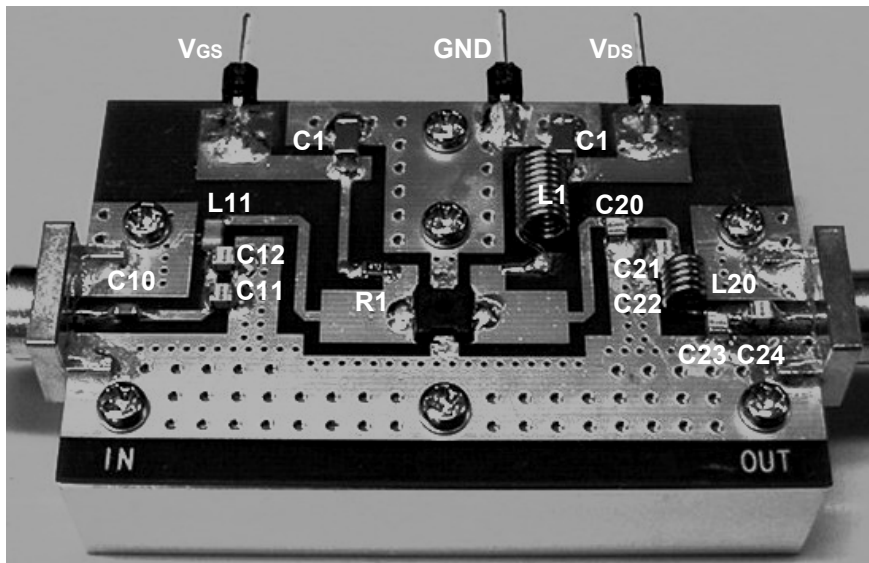
<R> TEST CIRCUIT SCHEMATIC FOR 157 MHz



<R> COMPONENTS OF TEST CIRCUIT FOR MEASURING ELECTRICAL CHARACTERISTICS

Symbol	Value	Type	Maker
C1	1 μ F	GRM31CR72A105KA01B	Murata
C10	100 pF	GRM1882C1H101JA01	Murata
C11	4.7 pF	ATC100A4R7CT	American Technical Ceramics
C12	39 pF	ATC100A390JT	American Technical Ceramics
C20	2.0 pF	ATC100A2R0CT	American Technical Ceramics
C21	22 pF	ATC100A220JT	American Technical Ceramics
C22	68 pF	ATC100A680JT	American Technical Ceramics
C23	12 pF	ATC100A120JT	American Technical Ceramics
C24	100 pF	ATC100A101JT	American Technical Ceramics
R1	4.7 k Ω	1/10 W Chip Resistor SSM_RG1608PB472	SSM
L1	123 nH	ϕ 0.5 mm, ϕ D = 3 mm, 10 Turns	Ohesangyou
L11	27 nH	LLQ2012-F27N	TOKO
L20	35 nH	ϕ 0.5 mm, ϕ D = 2.4 mm, 5 Turns	Ohesangyou
PCB	-	R1766, t = 0.4 mm, ϵ = 4.5, size = 30 \times 48 mm	Panasonic
SMA Connector	-	WAKA 01K0790-20	WAKA

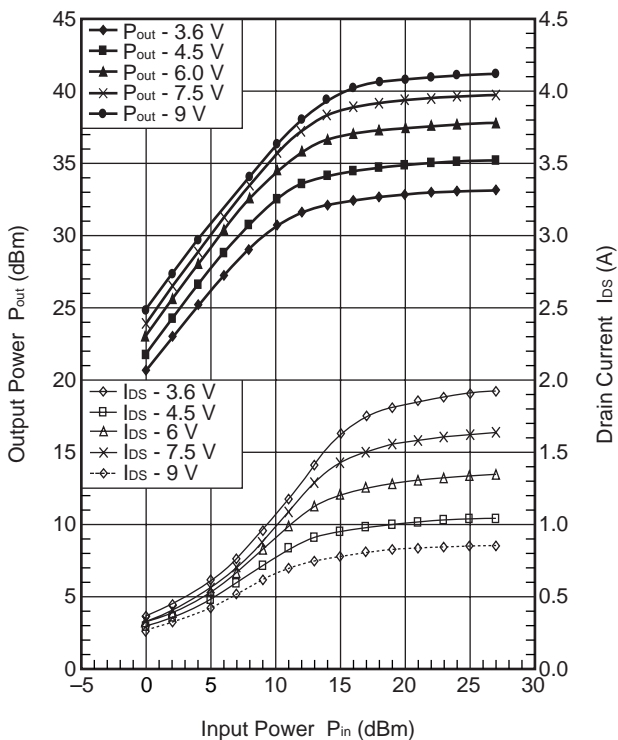
COMPONENT LAYOUT OF TEST CIRCUIT FOR 157 MHz



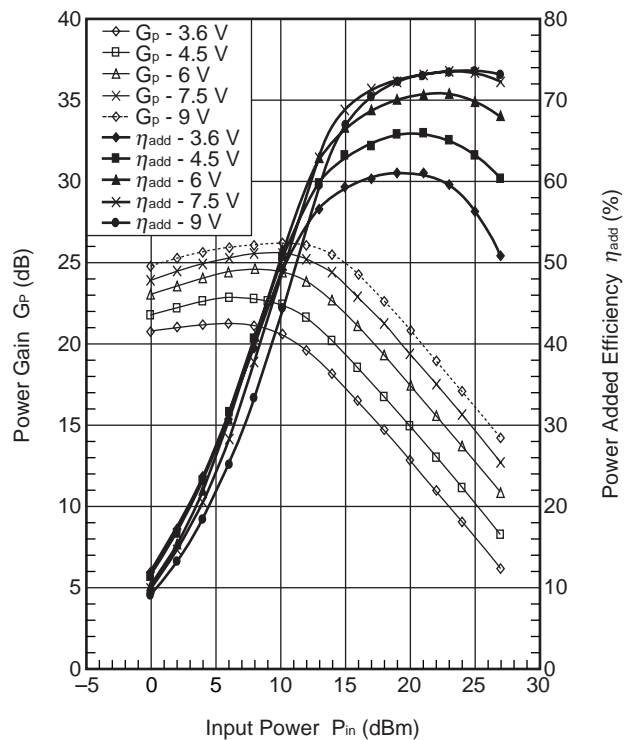
TYPICAL CHARACTERISTICS 2 ($T_A = 25^\circ\text{C}$)

R: $f = 157 \text{ MHz}$, $V_{DS} = 3.6/4.5/6/7.5/9 \text{ V}$, $I_{Dset} = 200 \text{ mA}$, $P_{in} = 0 \text{ to } 27 \text{ dBm}$

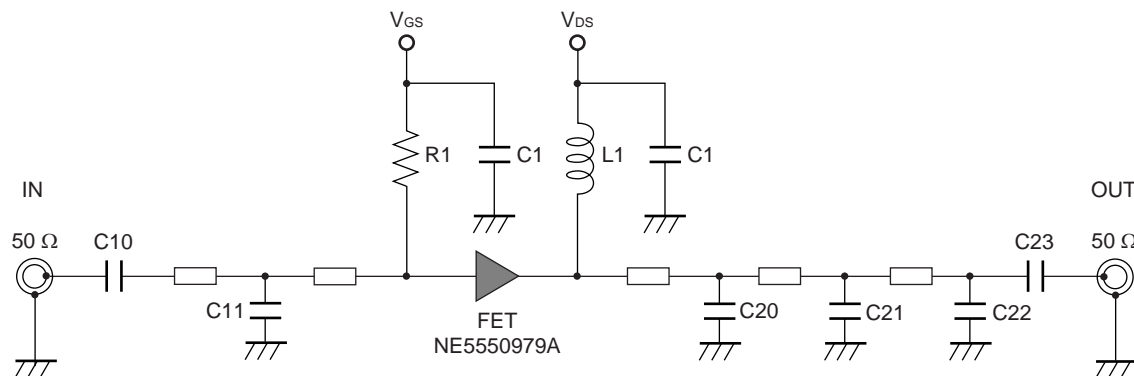
OUTPUT POWER, DRAIN CURRENT vs. INPUT POWER



POWER GAIN, POWER ADDED EFFICIENCY vs. INPUT POWER



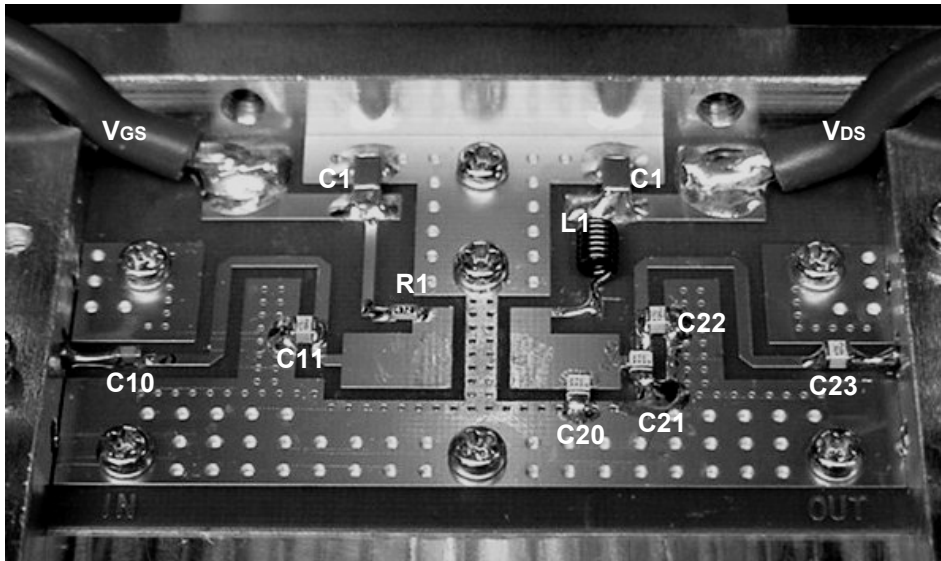
TEST CIRCUIT SCHEMATIC FOR 900 MHz



<R> COMPONENTS OF TEST CIRCUIT FOR MEASURING ELECTRICAL CHARACTERISTICS

Symbol	Value	Type	Maker
C1	1 μ F	GRM31CR72A105KA01B	Murata
C10	100 pF	GRM1882C1H101JA01	Murata
C11	15 pF	ATC100A150JW	American Technical Ceramics
C20	3.3 pF	ATC100A3R3BW	American Technical Ceramics
C21	3.3 pF	ATC100A3R3BW	American Technical Ceramics
C22	12 pF	ATC100A120JT	American Technical Ceramics
C23	100 pF	ATC100A101JT	American Technical Ceramics
R1	4.7 k Ω	1/10 W Chip Resistor SSM_RG1608PB472	SSM
L1	123 nH	ϕ 0.5 mm, ϕ D = 3 mm, 10 Turns	Ohesangyou
PCB	-	R1766, t = 0.4 mm, ϵ = 4.5, size = 30 \times 48 mm	Panasonic
SMA Connector	-	WAKA 01K0790-20	WAKA

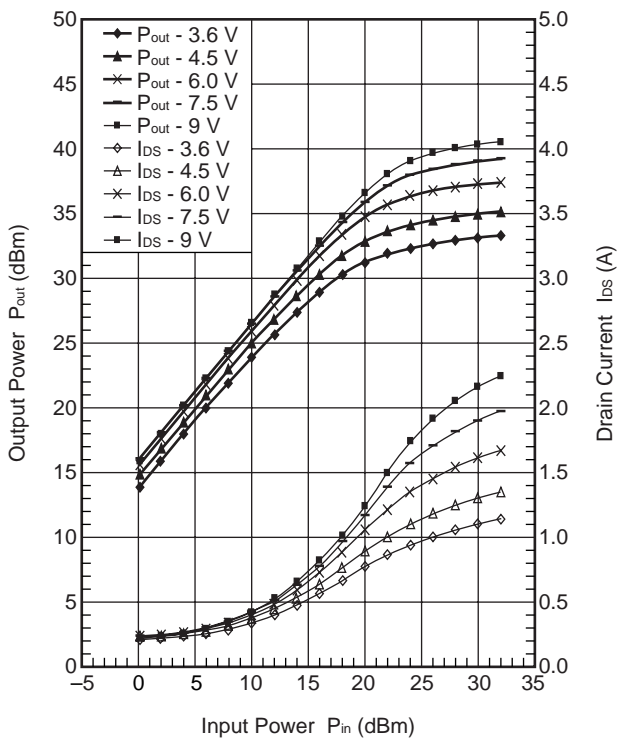
COMPONENT LAYOUT OF TEST CIRCUIT FOR 900 MHz



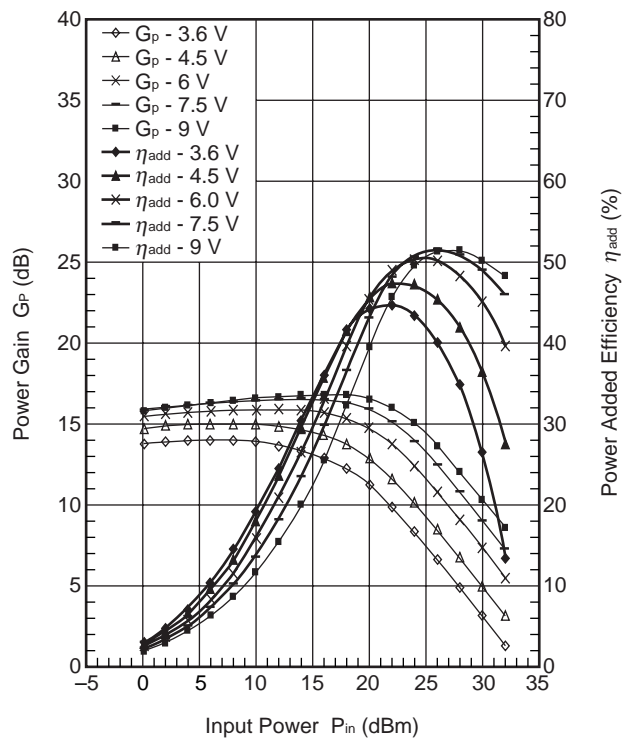
TYPICAL CHARACTERISTICS 3 (T_A = 25°C)

RF: f = 900 MHz V_{DS} = 3.6/4.5/6/7.5/9 V, I_{Dset} = 200 mA, P_{in} = 0 to 32 dBm

OUTPUT POWER, DRAIN CURRENT vs. INPUT POWER



POWER GAIN, POWER ADDED EFFICIENCY vs. INPUT POWER



Remark The graphs indicate nominal characteristics.

S-PARAMETERS

S-parameters and noise parameters are provided on our web site in a form (S2P) that enables direct import of the parameters to microwave circuit simulators without the need for keyboard inputs.

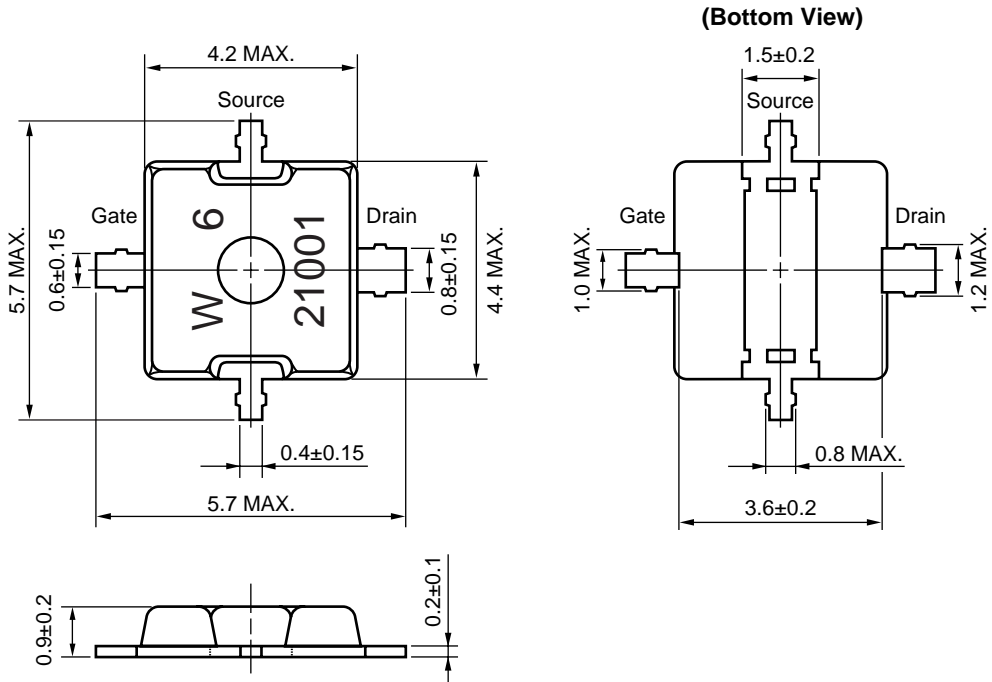
Click here to download S-parameters.

[Products] → [RF Devices] → [Device Parameters]

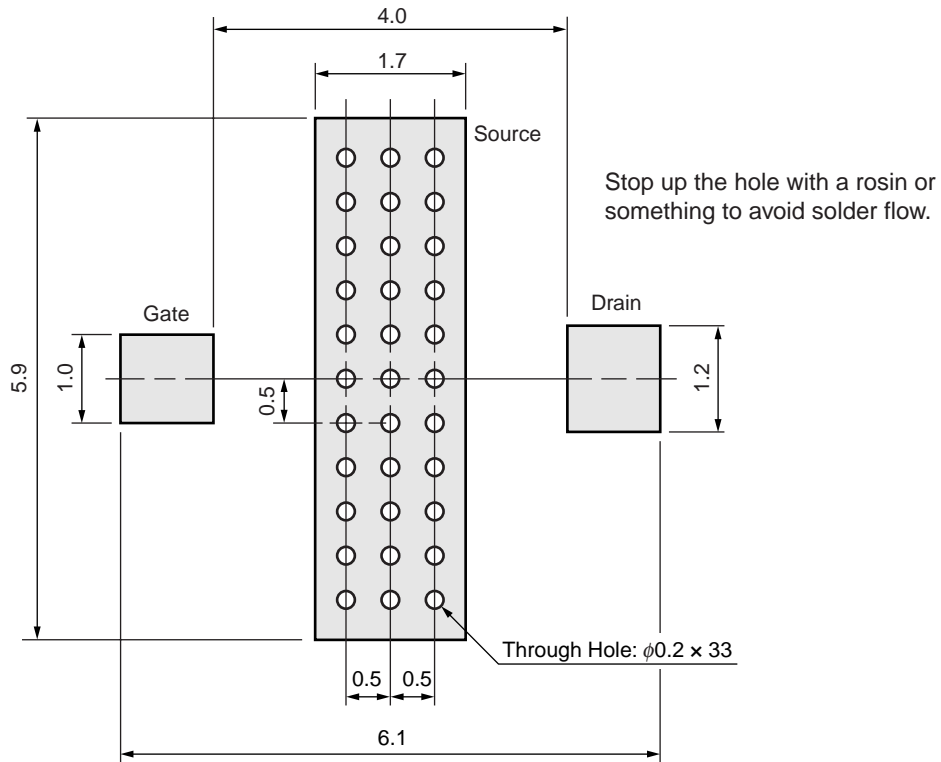
URL <http://www.renesas.com/products/microwave/>

PACKAGE DIMENSIONS

79A (UNIT: mm)



79A PACKAGE RECOMMENDED P.C.B. LAYOUT (UNIT: mm)



Revision History**NE5550979A Data Sheet**

Rev.	Date	Description	
		Page	Summary
1.00	Nov 25, 2011	–	First edition issued
2.00	Jul 04, 2012	p.1	Modification of ORDERING INFORMATION
		p.5	Addition of TEST CIRCUIT SCHEMATIC FOR 157 MHz
		p.6	Addition of COMPONENT LAYOUT OF TEST CIRCUIT FOR 157 MHz
		p.7	Addition of TEST CIRCUIT SCHEMATIC FOR 900 MHz
		p.8	Addition of COMPONENT LAYOUT OF TEST CIRCUIT FOR 900 MHz
		p.9	Modification of S-PARAMETERS
3.00	Mar 12, 2013	P3	Modification of COMPONENTS OF TEST CIRCUIT FOR MEASURING ELECTRICAL CHARACTERISTICS
		P5	Modification of TEST CIRCUIT SCHEMATIC FOR 157 MHz
			Modification of COMPONENTS OF TEST CIRCUIT FOR MEASURING ELECTRICAL CHARACTERISTICS
P7	Modification of COMPONENTS OF TEST CIRCUIT FOR MEASURING ELECTRICAL CHARACTERISTICS		

Notice

1. Descriptions of circuits, software and other related information in this document are provided only to illustrate the operation of semiconductor products and application examples. You are fully responsible for the incorporation of these circuits, software, and information in the design of your equipment. Renesas Electronics assumes no responsibility for any losses incurred by you or third parties arising from the use of these circuits, software, or information.
 2. Renesas Electronics has used reasonable care in preparing the information included in this document, but Renesas Electronics does not warrant that such information is error free. Renesas Electronics assumes no liability whatsoever for any damages incurred by you resulting from errors in or omissions from the information included herein.
 3. Renesas Electronics does not assume any liability for infringement of patents, copyrights, or other intellectual property rights of third parties by or arising from the use of Renesas Electronics products or technical information described in this document. No license, express, implied or otherwise, is granted hereby under any patents, copyrights or other intellectual property rights of Renesas Electronics or others.
 4. You should not alter, modify, copy, or otherwise misappropriate any Renesas Electronics product, whether in whole or in part. Renesas Electronics assumes no responsibility for any losses incurred by you or third parties arising from such alteration, modification, copy or otherwise misappropriation of Renesas Electronics product.
 5. Renesas Electronics products are classified according to the following two quality grades: "Standard" and "High Quality". The recommended applications for each Renesas Electronics product depends on the product's quality grade, as indicated below.
"Standard": Computers; office equipment; communications equipment; test and measurement equipment; audio and visual equipment; home electronic appliances; machine tools; personal electronic equipment; and industrial robots etc.
"High Quality": Transportation equipment (automobiles, trains, ships, etc.); traffic control systems; anti-disaster systems; anti-crime systems; and safety equipment etc.
Renesas Electronics products are neither intended nor authorized for use in products or systems that may pose a direct threat to human life or bodily injury (artificial life support devices or systems, surgical implantations etc.), or may cause serious property damages (nuclear reactor control systems, military equipment etc.). You must check the quality grade of each Renesas Electronics product before using it in a particular application. You may not use any Renesas Electronics product for any application for which it is not intended. Renesas Electronics shall not be in any way liable for any damages or losses incurred by you or third parties arising from the use of any Renesas Electronics product for which the product is not intended by Renesas Electronics.
 6. You should use the Renesas Electronics products described in this document within the range specified by Renesas Electronics, especially with respect to the maximum rating, operating supply voltage range, movement power voltage range, heat radiation characteristics, installation and other product characteristics. Renesas Electronics shall have no liability for malfunctions or damages arising out of the use of Renesas Electronics products beyond such specified ranges.
 7. Although Renesas Electronics endeavors to improve the quality and reliability of its products, semiconductor products have specific characteristics such as the occurrence of failure at a certain rate and malfunctions under certain use conditions. Further, Renesas Electronics products are not subject to radiation resistance design. Please be sure to implement safety measures to guard them against the possibility of physical injury, and injury or damage caused by fire in the event of the failure of a Renesas Electronics product, such as safety design for hardware and software including but not limited to redundancy, fire control and malfunction prevention, appropriate treatment for aging degradation or any other appropriate measures. Because the evaluation of microcomputer software alone is very difficult, please evaluate the safety of the final products or systems manufactured by you.
 8. Please contact a Renesas Electronics sales office for details as to environmental matters such as the environmental compatibility of each Renesas Electronics product. Please use Renesas Electronics products in compliance with all applicable laws and regulations that regulate the inclusion or use of controlled substances, including without limitation, the EU RoHS Directive. Renesas Electronics assumes no liability for damages or losses occurring as a result of your noncompliance with applicable laws and regulations.
 9. Renesas Electronics products and technology may not be used for or incorporated into any products or systems whose manufacture, use, or sale is prohibited under any applicable domestic or foreign laws or regulations. You should not use Renesas Electronics products or technology described in this document for any purpose relating to military applications or use by the military, including but not limited to the development of weapons of mass destruction. When exporting the Renesas Electronics products or technology described in this document, you should comply with the applicable export control laws and regulations and follow the procedures required by such laws and regulations.
 10. It is the responsibility of the buyer or distributor of Renesas Electronics products, who distributes, disposes of, or otherwise places the product with a third party, to notify such third party in advance of the contents and conditions set forth in this document, Renesas Electronics assumes no responsibility for any losses incurred by you or third parties as a result of unauthorized use of Renesas Electronics products.
 11. This document may not be reproduced or duplicated in any form, in whole or in part, without prior written consent of Renesas Electronics.
 12. Please contact a Renesas Electronics sales office if you have any questions regarding the information contained in this document or Renesas Electronics products, or if you have any other inquiries.
- (Note 1) "Renesas Electronics" as used in this document means Renesas Electronics Corporation and also includes its majority-owned subsidiaries.
(Note 2) "Renesas Electronics product(s)" means any product developed or manufactured by or for Renesas Electronics.



SALES OFFICES

Renesas Electronics Corporation

<http://www.renesas.com>

Refer to "<http://www.renesas.com/>" for the latest and detailed information.

California Eastern Laboratories, Inc.
4590 Patrick Henry Drive, Santa Clara, California 95054, U.S.A.
Tel: +1-408-919-2500, Fax: +1-408-988-0279

Renesas Electronics Europe Limited
Dukes Meadow, Millboard Road, Bourne End, Buckinghamshire, SL8 5FH, U.K
Tel: +44-1628-651-700, Fax: +44-1628-651-804

Renesas Electronics Europe GmbH
Arcadiastrasse 10, 40472 Düsseldorf, Germany
Tel: +49-211-65030, Fax: +49-211-6503-1327

Renesas Electronics (China) Co., Ltd.
7th Floor, Quantum Plaza, No.27 ZhiChunLu Haidian District, Beijing 100083, P.R.China
Tel: +86-10-8235-1155, Fax: +86-10-8235-7679

Renesas Electronics (Shanghai) Co., Ltd.
Unit 204, 205, AZIA Center, No.1233 Lujiazui Ring Rd., Pudong District, Shanghai 200120, China
Tel: +86-21-5877-1818, Fax: +86-21-6887-7858 / -7898

Renesas Electronics Hong Kong Limited
Unit 1601-1613, 16/F., Tower 2, Grand Century Place, 193 Prince Edward Road West, Mongkok, Kowloon, Hong Kong
Tel: +852-2886-9318, Fax: +852 2886-9022/9044

Renesas Electronics Taiwan Co., Ltd.
13F, No. 363, Fu Shing North Road, Taipei, Taiwan
Tel: +886-2-8175-9600, Fax: +886 2-8175-9670

Renesas Electronics Singapore Pte. Ltd.
80 Bendemeer Road, Unit #06-02 Hyflux Innovation Centre Singapore 339949
Tel: +65-6213-0200, Fax: +65-6213-0300

Renesas Electronics Malaysia Sdn.Bhd.
Unit 906, Block B, Menara Amcorp, Amcorp Trade Centre, No. 18, Jln Persiaran Barat, 46050 Petaling Jaya, Selangor Darul Ehsan, Malaysia
Tel: +60-3-7955-9390, Fax: +60-3-7955-9510

Renesas Electronics Korea Co., Ltd.
11F., Samik Lavied' or Bldg., 720-2 Yeoksam-Dong, Kangnam-Ku, Seoul 135-080, Korea
Tel: +82-2-558-3737, Fax: +82-2-558-5141