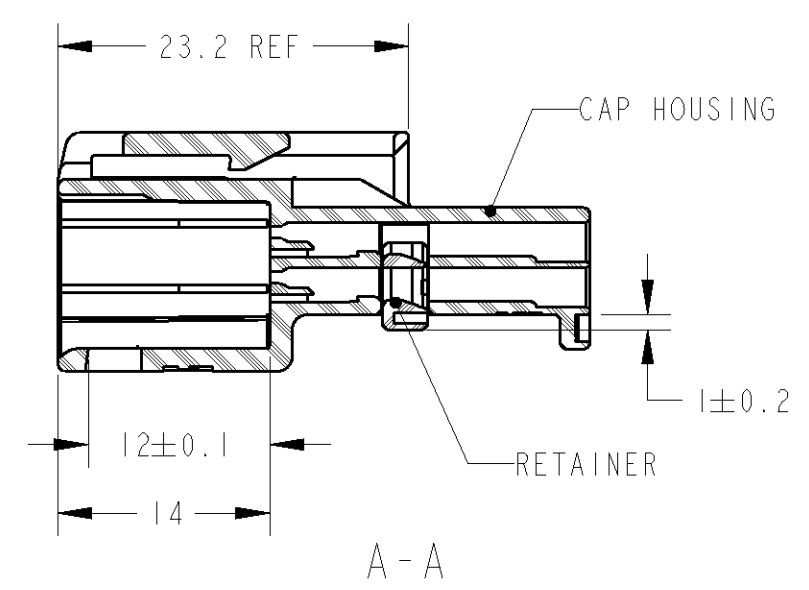
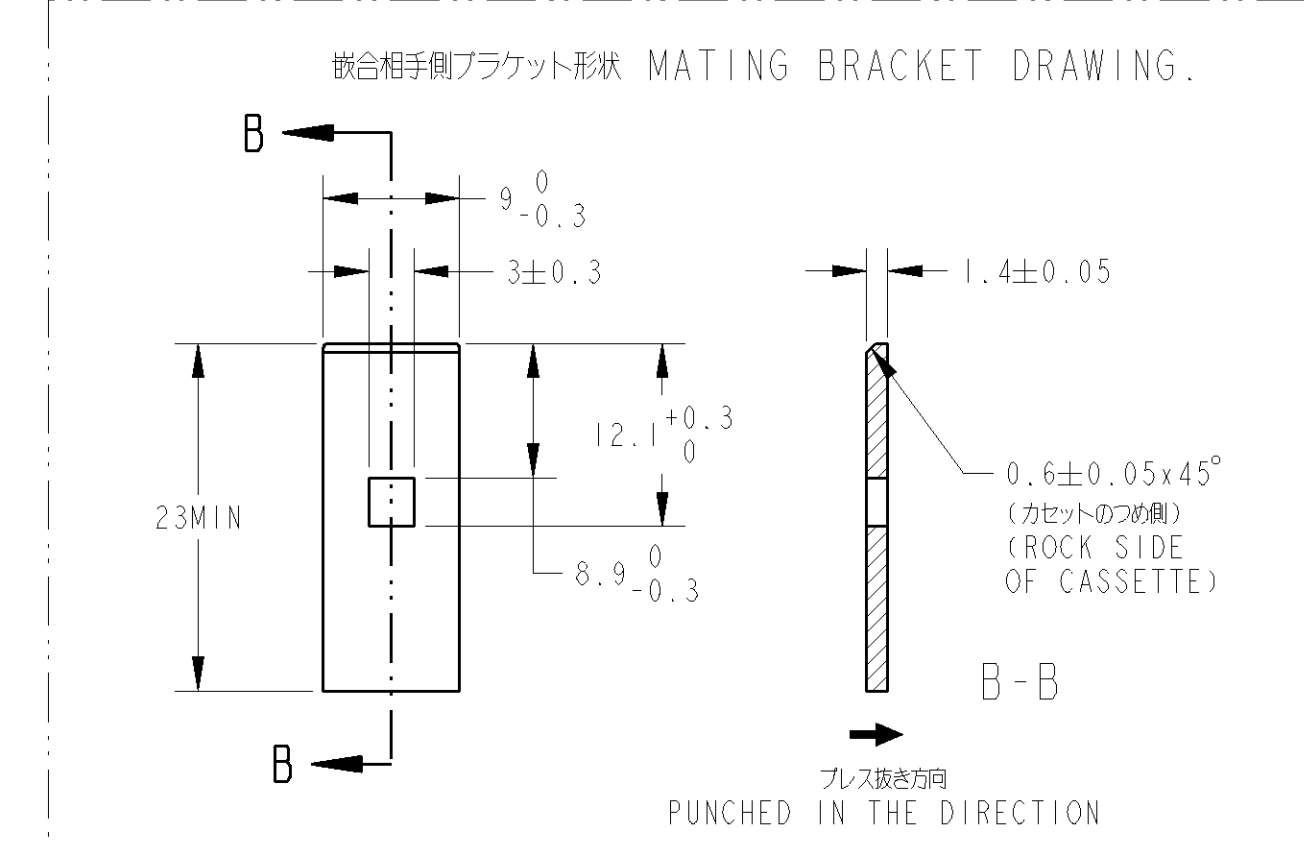
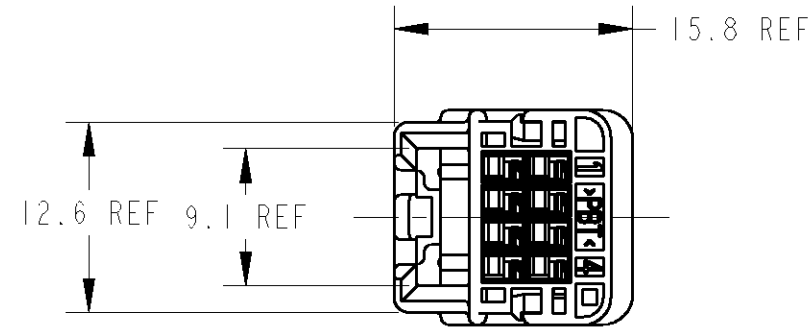
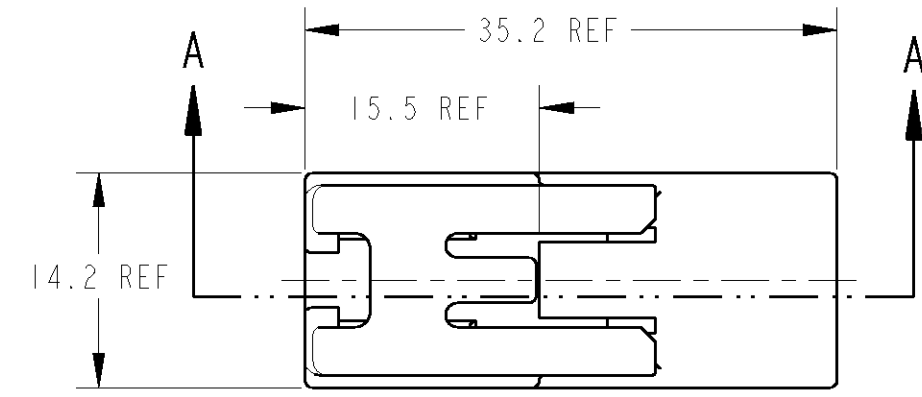
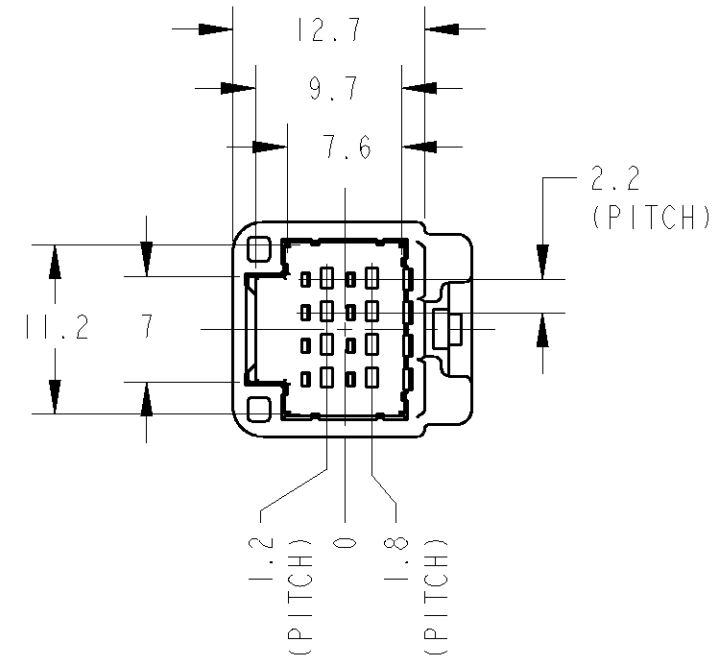
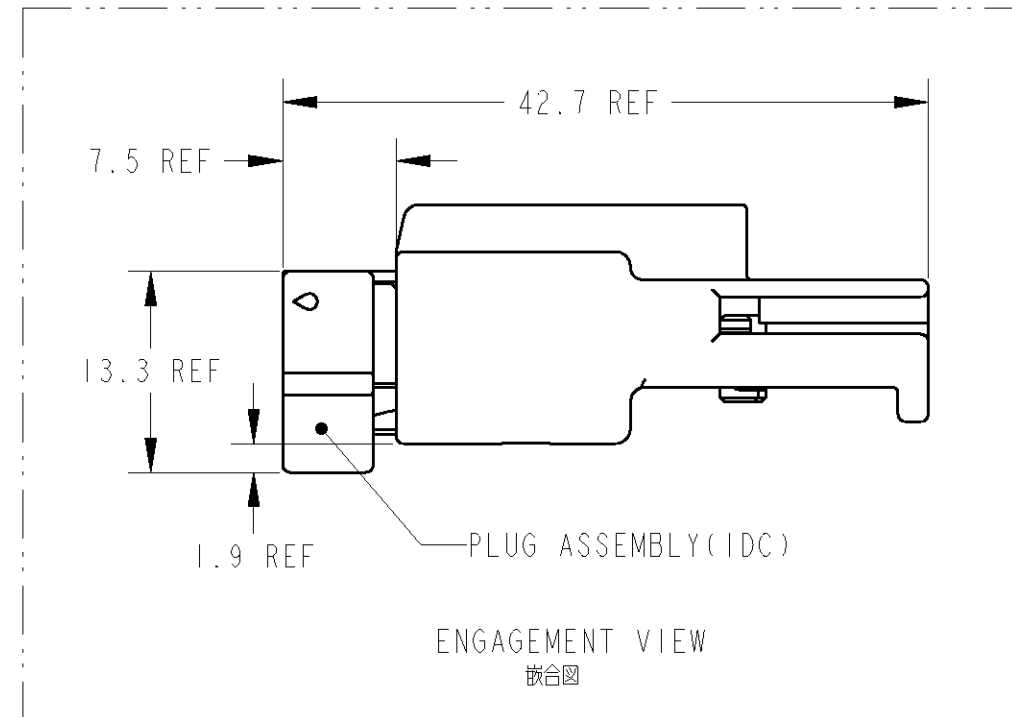


THIS DRAWING IS UNPUBLISHED. RELEASED FOR PUBLICATION 20
 © COPYRIGHT 20 BY TYCO ELECTRONICS CORPORATION. ALL RIGHTS RESERVED.

LOC	DIST	REVISIONS						
J	-	P	LTR	DESCRIPTION	ECN	DATE	DWN	APVD
		01		REVISED	ECR-06-013499	05JUN06	TS	KB



1. キャップハウジングをダブルロックプレートを仮係止して出荷される。
 2. 適用端子型番; 1376109, 1473818, 1565406
 3. 取扱説明書; 411-5996
 4. 嵌合相手型番; 1473800 & 1473802 (IDC) 1376352
1. PLATE SHOULD BE SET TO THE PRE-ASSEMBLY POSITION WITHIN THE CAP HOUSING WHEN SHIPPED TO THE CUSTOMER
 2. APPLIED TERMINAL; 1376109, 1473818, 1565406
 3. INSTRUCTION SHEET No; 411-5996
 4. PART NUMBER OF PLUG HOUSING TO BE MATED; 1473800 & 1473802 (IDC), 1376352



PAPER BOX ダンボール	PLASTIC BAG ビニール袋	NATURAL	1473793-1
OUTER 外装	INNER 内装	COLOR	PART NUMBER
PACKING STYLE 梱包形態			

THIS DRAWING IS A CONTROLLED DOCUMENT FOR TYCO ELECTRONICS CORPORATION. IT IS SUBJECT TO CHANGE AND THE CONTROLLING ENGINEERING ORGANIZATION SHOULD BE CONTACTED FOR THE LATEST REVISION.		DWN S. AMEMIYA 160CT01	Tyco Electronics AMP K.K. Kawasaki, Japan	
DIMENSIONS: 単位: 純 mm		CHK N. SAI 160CT01	NAME 8 POSITION CAP ASSEMBLY 025 IDC CONNECTOR	
TOLERANCES UNLESS OTHERWISE SPECIFIED: 一般公差: ±0.3 0-PLC ± 1-PLC ±0.3 2-PLC ±0.10 3-PLC ±0.001 4-PLC ±0.0001 ANGLES ±3°00'		APVD N. SAI 160CT01	PRODUCT SPEC 108-5660	RESTRICTED TO -
MATERIAL 材料 PBT		APPLICATION SPEC 取付適用規格 114-5276, 114-5291	WEIGHT 3.6	SIZE A2
FINISH 仕上 SEE TABLE		CAGE CODE 00779	DRAWING NO 1473793	SHEET OF 1 1
CUSTOMER DRAWING		SCALE 2:1	REV 01	