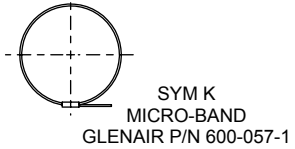
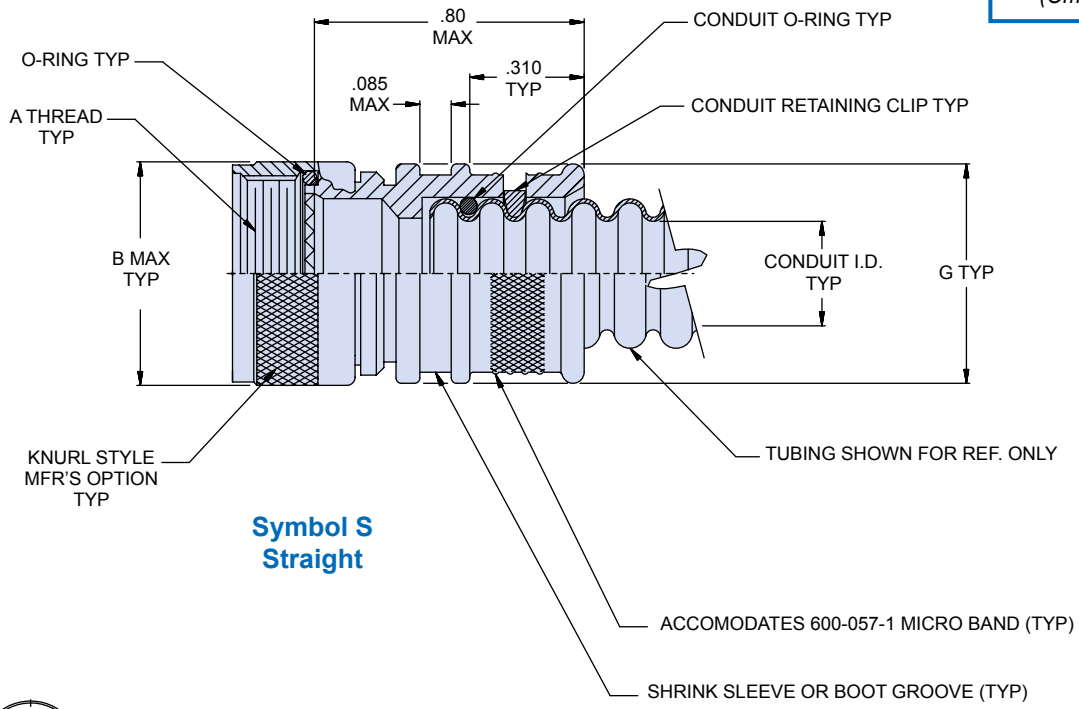
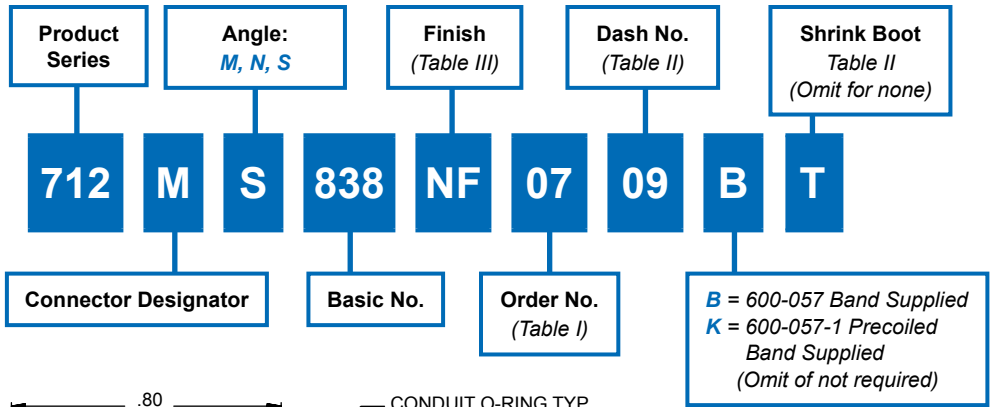


Metal Guardian System Mighty Mouse connector adapter fitting

How To Order



Material and Finish

Adapters, coupling nut: See Table III
 O-ring: Silicone/NA
 Retaining clip: High grade engineering thermoplastic/NA
 Band: SST/Passivate

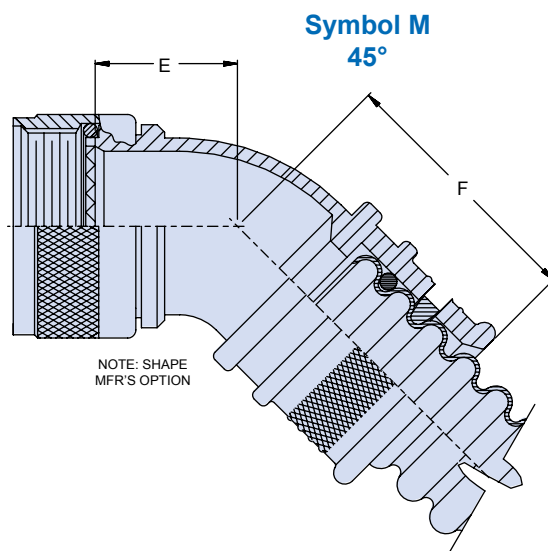
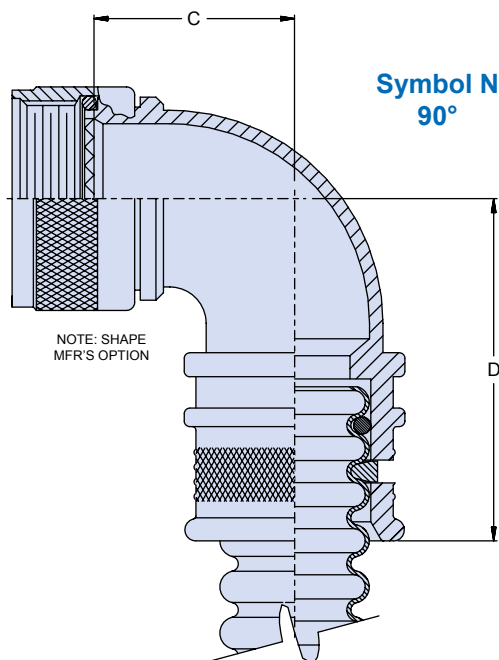
Tools and Assembly notes

Conduit retaining clip and conduit O-ring to be supplied unassembled
 For effective grounding, connector with conductive Finish should be used
 Glennair assembly procedure AP74-010 is recommended for adapter to conduit termination

712M*838
Metal EMI/RFI Environmental
Adapter for Mighty Mouse Connectors
for Series 72 Annular Convolute Tubing



Series 72
Guardian



Order No.	Shell Size Ref		A Thread Class 2B	B Max
	800/801 803/804	805		
5	5	N/A	1/4-32 UNEF	0.470 (11.9)
6	6	N/A	5/16-32 UNEF	0.530 (13.5)
11	N/A	8	3/8-32 UNEF	0.570 (14.5)
7	7	9	7/16-28 UNEF	0.637 (16.2)
8	8	10	1/2-28 UNEF	0.700 (17.8)
9	9	11	9/16-24 UNEF	0.758 (19.3)
10	10	12	5/8-24 UNEF	0.819 (20.8)
12	12/13	N/A	11/16-24 UNEF	0.896 (22.8)
13	N/A	15	3/4-20 UNEF	0.930 (23.6)
14	14/15/16/17	18/19	15/16-20 UNEF	1.137 (28.9)
17	21	23	1 3/16-18 UNEF	1.387 (35.2)

Sym	Material	Finish Description
M	Aluminum	Electroless Nickel
MT		Nickel-PTFE
NF		Cad/Olive Drab over Electroless Nickel
ZN		Zinc Nickel/Olive Drab over Electroless Nickel
ZNU		Zinc Nickel/Black over Electroless Nickel
Z1	Stainless Steel	Passivate

Dash No.	C Max	D Max	E Max	F Max	G Max	Conduit I.D.		Shrink Boot
						Min	Max	
06	0.73 (18.5)	1.02 (25.9)	.61 (15.5)	.90 (22.9)	.53 (13.5)	.16 (4.1)	.19 (4.8)	770-001S103
09	0.79 (20.1)	1.08 (27.4)	.64 (16.3)	.92 (23.4)	.63 (16.0)	.24 (6.1)	.28 (7.1)	770-001S103
12	0.85 (21.6)	1.14 (29.0)	.66 (16.8)	.95 (24.1)	.73 (18.5)	.33 (8.4)	.37 (9.4)	770-001S104
16	0.92 (23.4)	1.20 (30.5)	.71 (18.0)	1.00 (25.4)	.86 (21.8)	.45 (11.4)	.50 (12.7)	770-001S104
20	0.98 (24.9)	1.27 (32.3)	.74 (18.8)	1.03 (26.2)	.98 (24.9)	.57 (14.5)	.62 (15.7)	770-001S105
24	1.04 (26.4)	1.33 (33.8)	.79 (20.1)	1.08 (27.4)	1.15 (29.2)	.69 (17.5)	.75 (19.1)	770-001S106
28	1.10 (27.9)	1.39 (35.3)	.82 (20.8)	1.10 (27.9)	1.27 (32.3)	.81 (20.6)	.87 (22.1)	770-001S107
32	1.17 (29.7)	1.45 (36.8)	.84 (21.3)	1.13 (28.7)	1.40 (35.6)	.93 (23.6)	1.00 (25.4)	770-001S107