



- Cw/w: 50PF Typ @ 100KHz, 200mV
- LL: 0.5μH Max @ 100KHz, 200mV
- Polarity: 1-20, 4-17, 6-15, 9-12 In-Phase
- DCR: 0.9Ω Max
- Operating Temp: 0°C to 70°C

Electrical Specifications @ 25°C

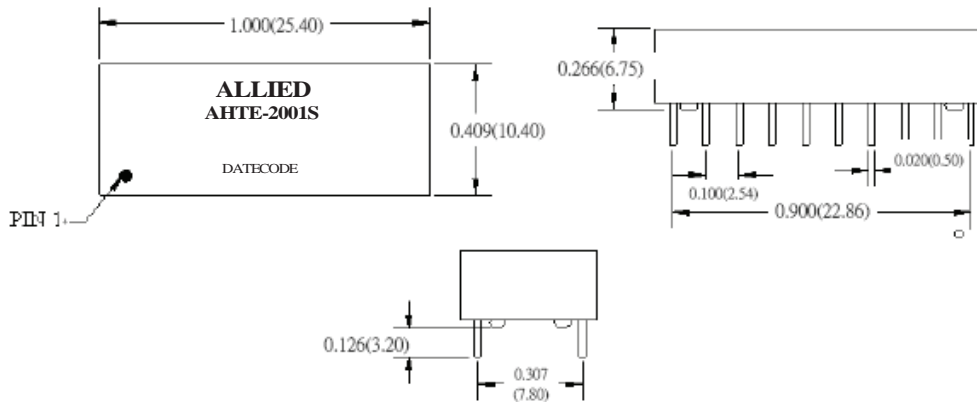
Part Number	OCL(uH Min) @ 100kHz, 200mV With 8mA DC Bias	Turns Ratio chip: cable (±5%)	Return Loss (dB Min)			
			2-30MHz	40MHz	50MHz	60-80MHz
AHTE-2001S	350	1CT:1CT(TX)/1CT:1CT(RX)	-18	-17	-14.5	-12

Electrical Specifications @ 25°C

Part Number	Insertion Loss (dB Max)	Cross Talk (dB Min)		Isolation HI-POT (Vrms) 60S
		1-100MHz	1-60MHz	
AHTE-2001S	-1.0	-38	-30	1500

All specifications subject to change without notice.

MECHANICAL



Dimensions: inch(mm)
Unless otherwise specified, all tolerances are ±0.010(0.25)

SCHEMATICS

