

REVISION D

**DESIGNED & DIMENSIONED
IN MILLIMETERS [INCHES]**

BNC7-J-C-XX-ST-BH3

GENDER
-J: JACK

TERMINATION
-BH3: BULKHEAD 3
(RG179 CABLE)

TYPE
-C: CABLE

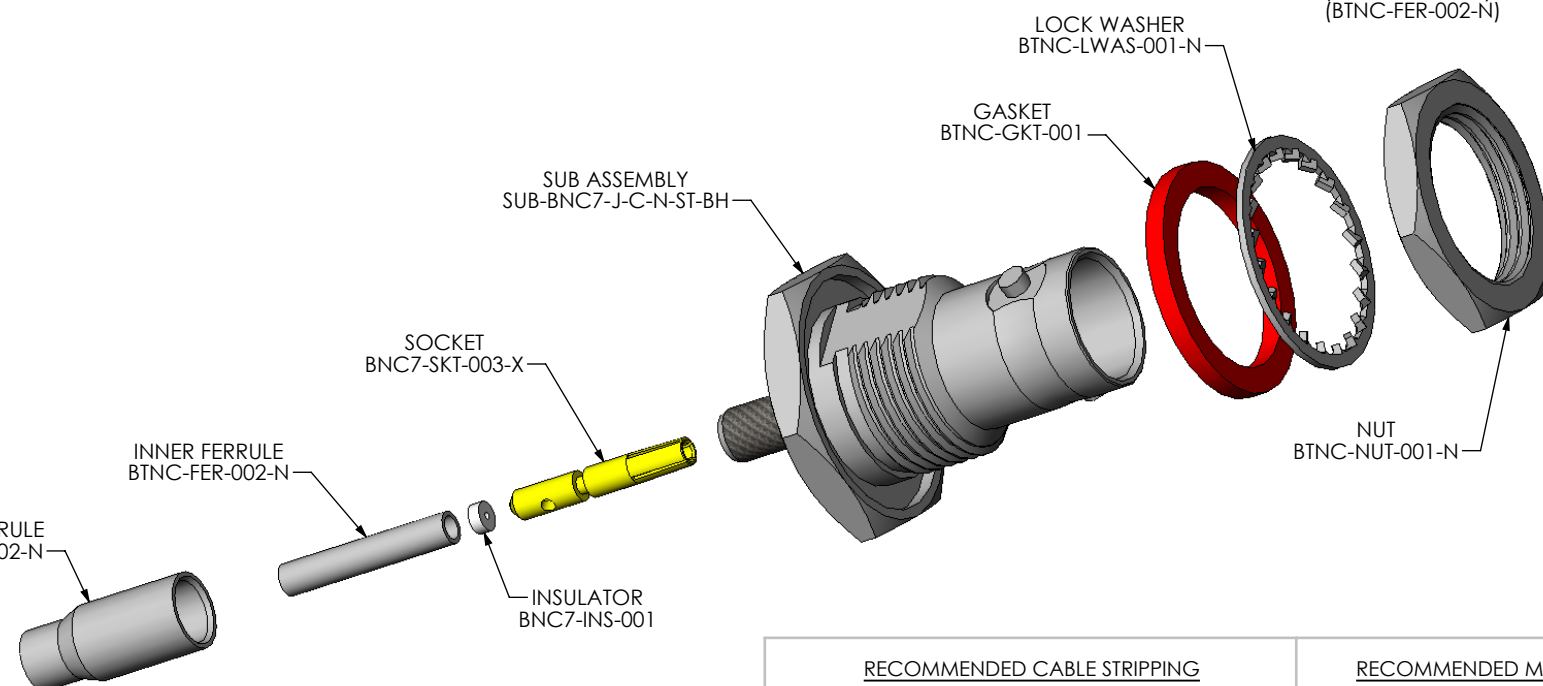
ORIENTATION
-ST: STRAIGHT

PLATING SPECIFICATION
-HN: HEAVY GOLD/NICKEL (SEE NOTES 7 & 8)
(SUB-BNC7-J-C-N-ST-BH3)
(BNC-SKT-003-H)
(BNC-FER-002-N)
(BTNC-FER-002-N)

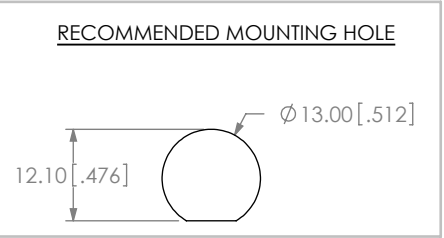
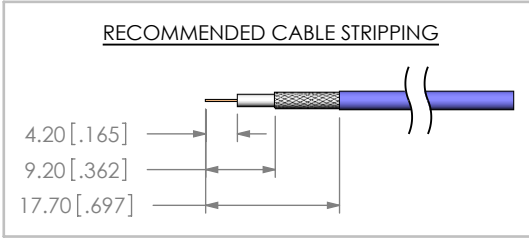
-MN: MEDIUM GOLD/NICKEL (SEE NOTES 7 & 8)
(SUB-BNC7-J-C-N-ST-BH3)
(BNC-SKT-003-M)
(BNC-FER-002-N)
(BTNC-FER-002-N)

A	LK	P BRUMLEY
1/29/2007		ECN-70665
RELEASE FOR PRODUCTION.		
B	SS	K Schmidt
10/2/2007		ECN-81067
SHT 1: ADD RECOMMENDED MOUNTING HOLE VIEW		
C	GH	B Saylor
6/13/2008		ECN-92672
REDRAW TO SOLIDWORKS.		
D	GH	C SHELLY
10/1/2008		ECN-98102

RENAME FROM BNC7-J-C-X-ST-BH3 TO: BNC7-J-C-XX-ST-BH3. CHANGE COMPONENT: BTNC-FER-005 TO: BNC-FER-002-N, BTNC-SKT-003 TO: BNC7-SKT-003-X, ADD: -N DESIGNATION TO: BTNC-FER-002, BTNC-LWAS-001, BTNC-NUT-001. DELETE: TABLE 1. ADD NOTE 7 & 8. 7. COMPONENT PLATING DESIGNATIONS: -H: 0.00076[0.000030] (MIN) GOLD OVER 0.00127[0.000050] (MIN) NICKEL. -M: 0.00025[0.000010] (MIN) GOLD OVER 0.00127[0.000050] (MIN) NICKEL. -N: 0.00254[0.000100] (MIN) NICKEL. 8. ASSEMBLY PLATING DESIGNATIONS: -HN: (CENTER CONTACT)-H: (OUTER CONTACT)-N: (REMAINING METAL PARTS)-N: -MH: (CENTER CONTACT)-M: (OUTER CONTACT)-N: (REMAINING METAL PARTS)-N: -CHANGE: PLATING SPECIFICATION TO: -HN: HEAVY GOLD/NICKEL (SEE NOTE 7 & 8)(SUB-BNC7-J-C-N-ST-BH3)(BNC-SKT-003-H)(BNC-FER-002-N)(BTNC-FER-002-N) -MN: MEDIUM GOLD/NICKEL (SEE NOTE 7 & 8)(SUB-BNC7-J-C-N-ST-BH3)(BNC-SKT-003-M)(BNC-FER-002-N)(BTNC-FER-002-N). RELOCATE RECOMMENDED CABLE STRIPPING PAGE 3: ADD HST LENGTH 25.0+/-2.5, ADD TOLERANCE TO 5.25+0.03-0.17, ADD "OR EQUIVALENT" TO "CRIMP FERRULE" NOTE.



- NOTES:**
- ⊕ REPRESENTS A CRITICAL DIMENSION.
 - CENTER CONTACT PUSHOUT FORCE: 26.69 N [6 LB] MIN.
 - SEE SHEET 3 FOR TERMINATION INFORMATION.
 - COMPONENTS TO BE SHIPPED UNASSEMBLED.
 - SAMPLE ORDERS: TO BE PACKAGED IN INDIVIDUAL KIT FORM, PRODUCTION ORDERS: EACH COMPONENT TO BE BULK PACKAGED.
 - ROHS COMPLIANT.
 - COMPONENT PLATING DESIGNATIONS:
-H: 0.00076[0.000030] (MIN) GOLD OVER 0.00127[0.000050] (MIN) NICKEL.
-M: 0.00025[0.000010] (MIN) GOLD OVER 0.00127[0.000050] (MIN) NICKEL.
-N: 0.00254[0.000100] (MIN) NICKEL.
 - ASSEMBLY PLATING DESIGNATIONS:
-HN: (CENTER CONTACT)-H:
(OUTER CONTACT)-N:
(REMAINING METAL PARTS)-N:
-MH: (CENTER CONTACT)-M:
(OUTER CONTACT)-N:
(REMAINING METAL PARTS)-N:



F:\DWG\SW\Exisprod\Assembly\RF\Bnc\Bnc7-j-c-xx-st-bh3\BNC7-J-C-XX-ST-BH3.SLDDRW

UNLESS OTHERWISE SPECIFIED, DIMENSIONS ARE IN MILLIMETERS [INCHES]. TOLERANCES ARE:

DECIMALS	ANGLES
.X: ±0.3 [0.1]	2°
.XX: ±0.13 [0.05]	
.XXX: ±0.051 [0.020]	

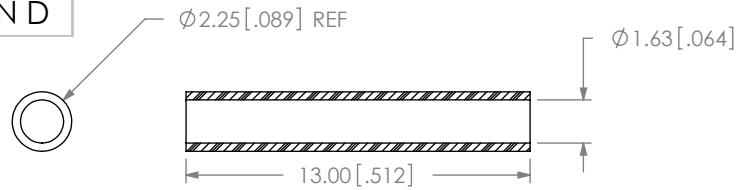
PROPRIETARY NOTE
THIS DOCUMENT CONTAINS INFORMATION CONFIDENTIAL AND PROPRIETARY TO SAMTEC, INC. AND SHALL NOT BE REPRODUCED OR TRANSFERRED TO OTHER DOCUMENTS OR DISCLOSED TO OTHERS OR USED FOR ANY PURPOSE OTHER THAN THAT WHICH IT WAS OBTAINED WITHOUT THE EXPRESSED WRITTEN CONSENT OF SAMTEC, INC.

520 PARK EAST BLVD, NEW ALBANY, IN 47150
PHONE: 812-944-6733 FAX: 812-948-5047
e-Mail: info@SAMTEC.com code: 55322

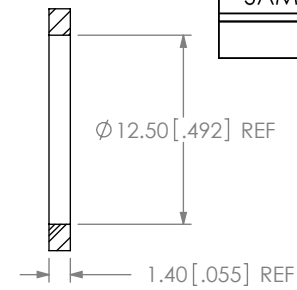
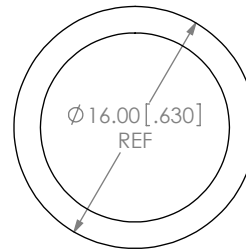
MATERIAL: DO NOT SCALE DRAWING SHEET SCALE: 2:1

DESCRIPTION: BNC7 STR, JACK RG179 - 75 OHM
DWG. NO.: BNC7-J-C-XX-ST-BH3
BY: G HERMAN 06/25/2008 **SHEET 1 OF 3**

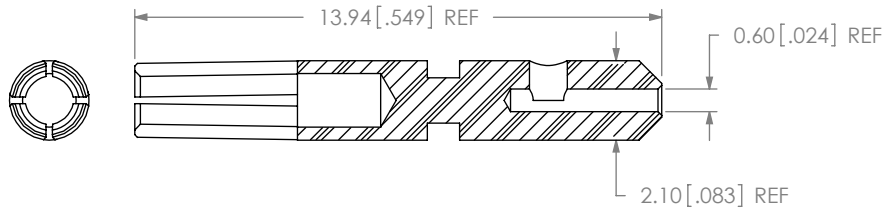
REVISION D



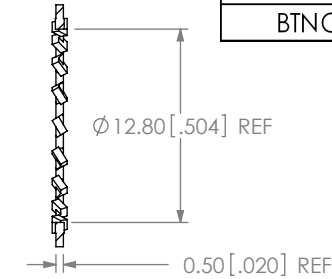
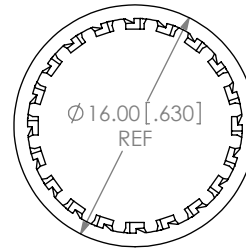
SAMTEC PART NUMBER	ITEM
BTNC-FER-002-X	INNER FERRULE



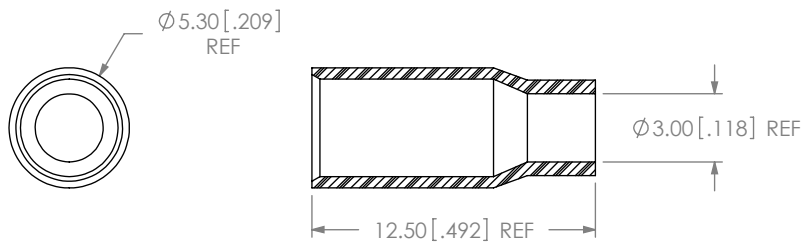
SAMTEC PART NUMBER	ITEM
BTNC-GKT-001	GASKET



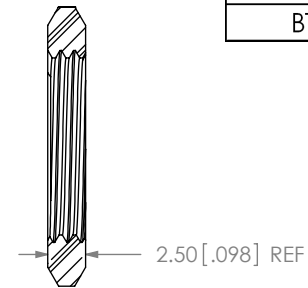
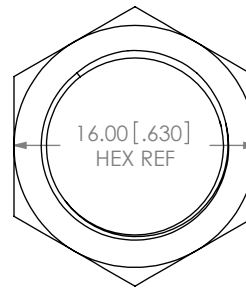
SAMTEC PART NUMBER	ITEM
BNC7-SKT-003-X	SOCKET



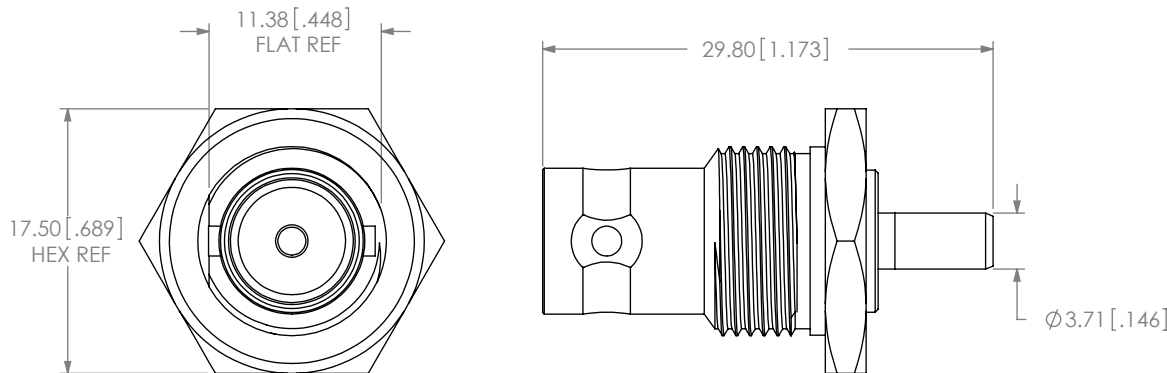
SAMTEC PART NUMBER	ITEM
BTNC-LWAS-001-X	LOCK WASHER



SAMTEC PART NUMBER	ITEM
BNC-FER-002-X	OUTER FERRULE

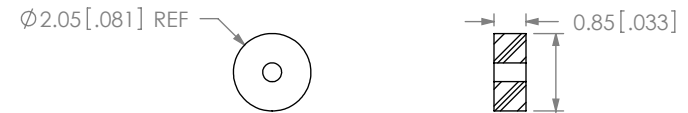


SAMTEC PART NUMBER	ITEM
BTNC-NUT-001-X	HEX NUT



SAMTEC PART NUMBER	ITEM
SUB-BNC7-J-C-X-ST-BH3	SUB ASSEMBLY

SAMTEC PART NUMBER	ITEM
BNC7-INS-001	INSULATOR



F:\DWG\SW\Exisprod\Assembly\RF\Bnc\Bnc7-j-c-xx-st-bh3\BNC7-J-C-XX-ST-BH3.SLDDRW

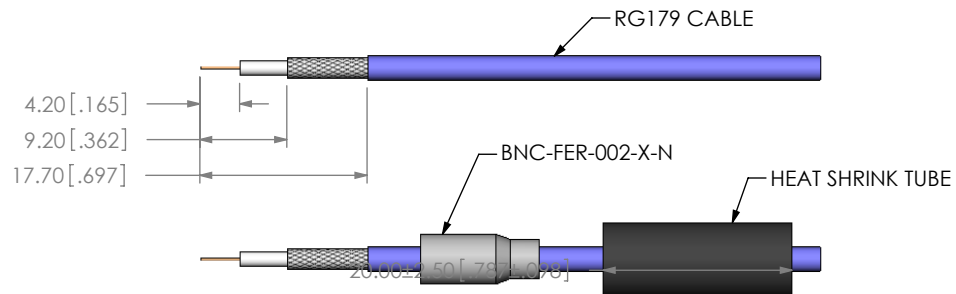
PROPRIETARY NOTE
 THIS DOCUMENT CONTAINS INFORMATION CONFIDENTIAL AND PROPRIETARY TO SAMTEC, INC. AND SHALL NOT BE REPRODUCED OR TRANSFERRED TO OTHER DOCUMENTS OR DISCLOSED TO OTHERS OR USED FOR ANY PURPOSE OTHER THAN THAT WHICH IT WAS OBTAINED WITHOUT THE EXPRESSED WRITTEN CONSENT OF SAMTEC, INC.

samtec
 520 PARK EAST BLVD, NEW ALBANY, IN 47150 [0.081]
 PHONE: 812-944-6733 FAX: 812-948-5047
 e-Mail: info@SAMTEC.com code: 55322

DO NOT SCALE DRAWING

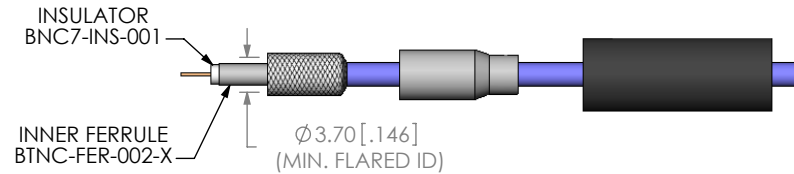
SHEET SCALE: 3.5:1

DESCRIPTION:
 BNC7 STR, JACK RG179 - 75 OHM
 DWG. NO.
 BNC7-J-C-XX-ST-BH3
 BY: G HERMAN 06/25/2008 SHEET 2 OF 3

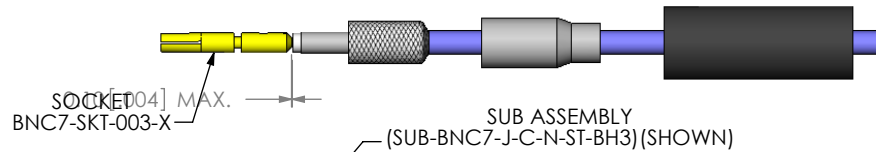


STRIP AND TIN INNER CONDUCTOR

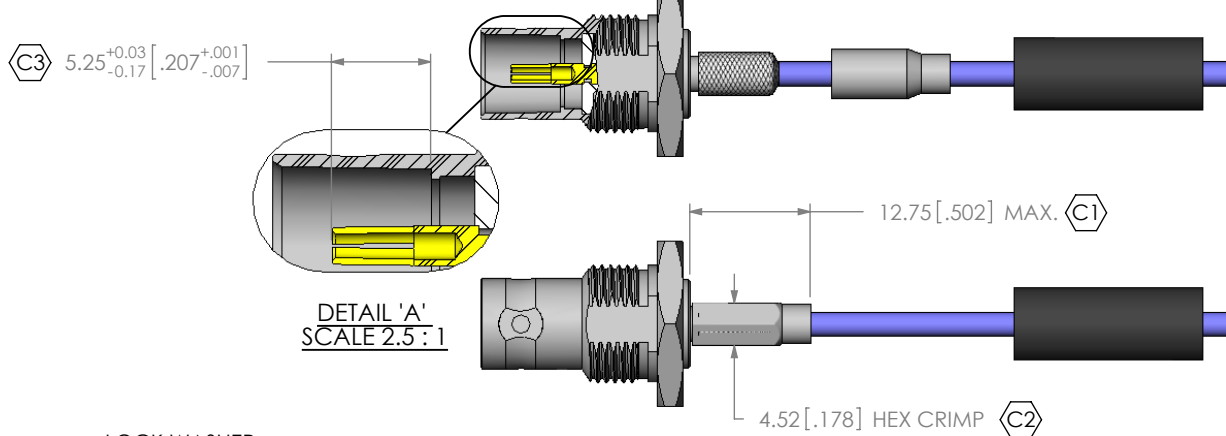
ADD HEAT SHRINK TUBE AND FERRULE



FLARE SHIELD, ADD INNER FERRULE AND INSULATOR

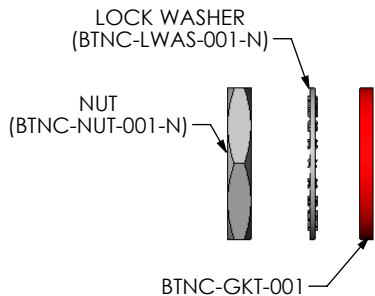


SOLDER SIGNAL SOCKET



ADD SUB-BNC7-P-C-X-ST-CA3

CRIMP FERRULE
(USE RF CRIMP HAND TOOL #CAT-HT-126667-21 OR EQUIVALENT)



APPLY HEAT SHRINK TUBE

F:\DWG\SW\Exisprod\Assembly\RF\Bnc\Bnc7-j-c-xx-st-bh3\BNC7-J-C-XX-ST-BH3.SLDDRW

PROPRIETARY NOTE
THIS DOCUMENT CONTAINS INFORMATION
CONFIDENTIAL AND PROPRIETARY TO
SAMTEC, INC. AND SHALL NOT BE REPRODUCED
OR TRANSFERRED TO OTHER DOCUMENTS OR
DISCLOSED TO OTHERS OR USED FOR ANY
PURPOSE OTHER THAN THAT WHICH IT WAS
OBTAINED WITHOUT THE EXPRESSED WRITTEN
CONSENT OF SAMTEC, INC.

samtec

520 PARK EAST BLVD, NEW ALBANY, IN 47150
PHONE: 812-944-6733 FAX: 812-948-5047
e-Mail: info@SAMTEC.com code: 55322

DO NOT SCALE DRAWING

DESCRIPTION:
BNC7 STR, JACK RG179 - 75 OHM

SHEET SCALE: 1.25:1

DWG. NO.
BNC7-J-C-XX-ST-BH3

BY: G HERMAN 06/25/2008 SHEET 3 OF 3