

SPECIFICATIONS

MCA Connector

Mechanical

Contact Normal Force: 75g min.
Durability: 100 Cycles
Contact Retention Force: 0.45kg min.

Electrical

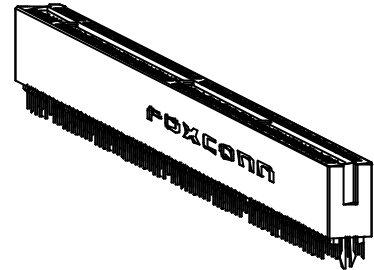
Current Rating: 1.0A, 30? Rise above Ambient
Contact Resistance: 30mW max. initial, 40mW max. after Test
Dielectric Withstand Voltage: 500V min. at Sea Level
Pin to Pin Insulation Resistance: 1000MW min.

Physical

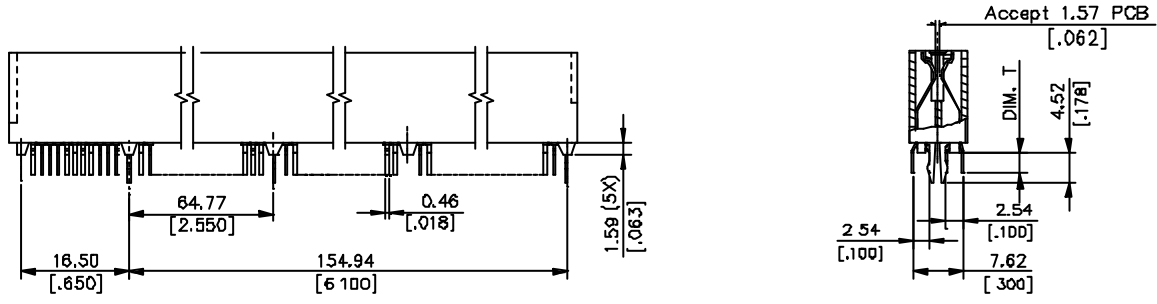
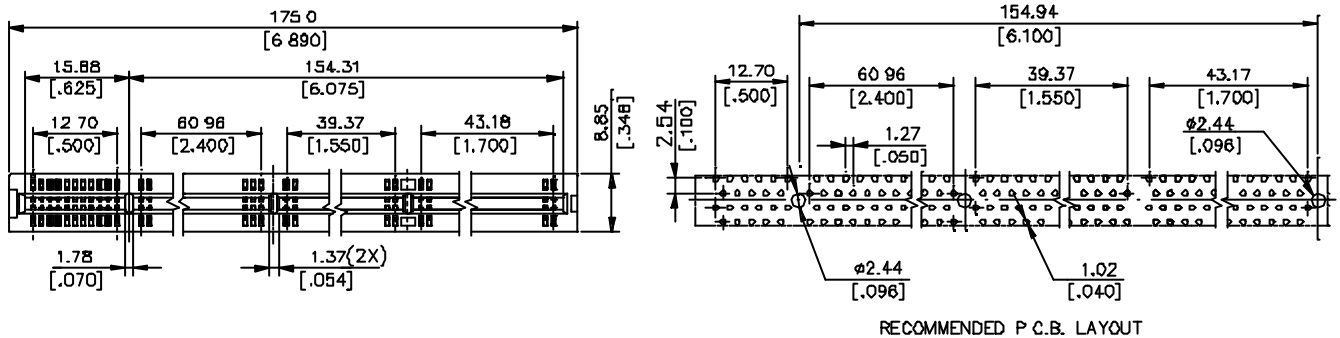
Housing: Thermoplastic, UL 94V-0 rated in Brown Color
Contact: Copper alloy
Plating: See "ORDERING INFORMATION"
Storage Temperature Range: -55? to +105?

EH Series

Vertical, T/H Type, 32 Bit 5V
1.27mm [.050"] Pitch
254 Pos.



DRAWING



ORDERING INFORMATION

PRODUCT NO.: EH 0 C1 * * - DRB - **

Series prefix ————
 Cardedge Conn.
 Tail Type ————
 0= Straight
 No. of Pos. ————
 C1=254 Pos.
 Tail Length ————
 0=3.18 [.125]
 1=2.54 [.100]
 4=3.56 [.140]

Plating Type
 DN= Tin/Lead
 DF= Lead Free

Extension Code

Gold Plating
 1= Gold Flash
 3= 30u" Gold
 7= 15u" Gold

EH0C14*-DRB- **	3.56 [.140]
EH0C11*-DRB- **	2.54 [.100]
EH0C10*-DRB- **	3.18 [.125]
P/N	DIM. T