

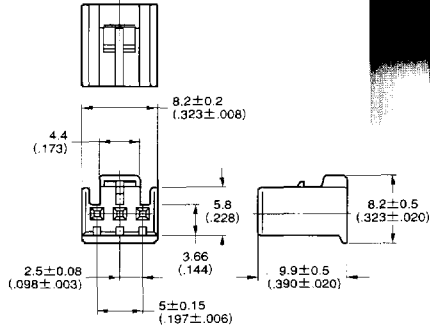
P.C. Board to Cable Applications 025 Contact • IL-GM Series

■ SOCKET HOUSING • SOCKET CONTACT (CRIMP TYPE)

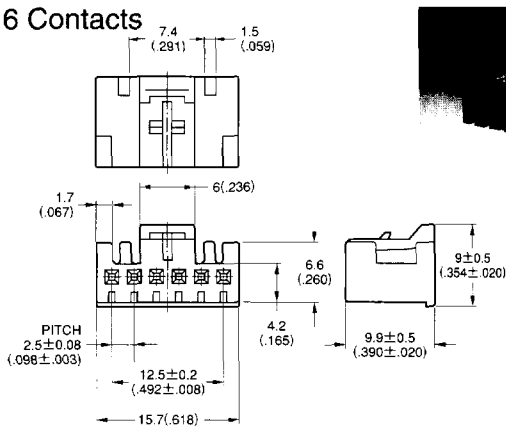
Dimensions are shown in millimeters (inches).
Dimensions subject to change.

SOCKET HOUSING

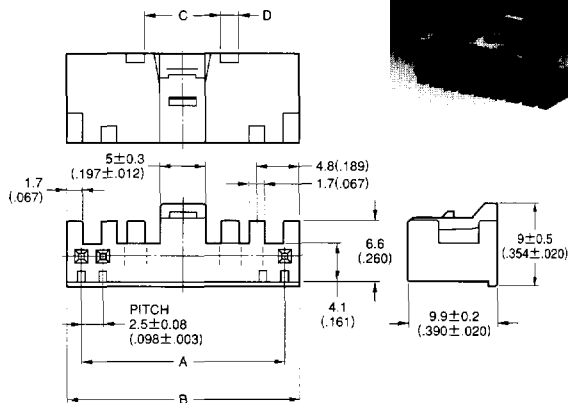
3 Contacts



6 Contacts



8, 10, 12 Contacts

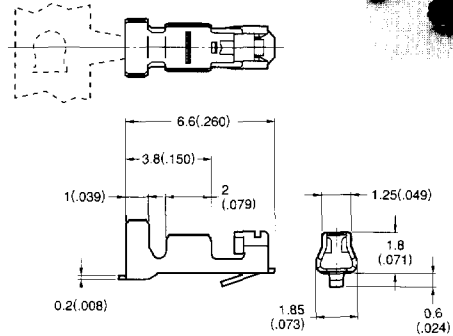


No. of Contacts	Part Number	A	B +0.2 -0.3 ±0.25 (±.010)	C +0.08 -0.12 ±0.3 (±.012)	D
3	IL-GM-3S-S3C2	—	—	—	—
6	IL-GM-6S-S3C2	—	—	—	—
8	IL-GM-8S-S3C2	17.5 (.689)	20.7 (.815)	6.1 (.240)	1.5 (.059)
10	IL-GM-10S-S3C2	22.5 (.886)	25.7 (1.012)	8.4 (.331)	2.0 (.079)
12	IL-GM-12S-S3C2	27.5 (1.083)	30.7 (1.209)	8.4 (.331)	2.0 (.079)

SOCKET CONTACT (CRIMP TYPE)

Part Number: IL-G-C2-SC-10000

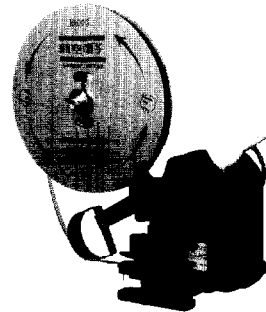
(Note: 10,000 contacts per reel)



Applicable Wire/Applicable Tool

Applicable Wire (Stranded)		Crimping Tools	
AWG No.	Insulation Outer Dia.	Hand Tool	Semi-Automatic Machine
#28 to #26	1.0 – 1.3 mm (.039 – .051 in.)	CT150-1-ILG	CT350-2-ILG (Press: CP210-1B) Applicator: 350-ILG-2)
#26 to #24	1.2 – 1.5 mm (.047 – .059 in.)	CT150-1B-ILG	
#24 to #22	1.4 – 1.7 mm (.055 – .067 in.)	CT150-1C-ILG	
#20 Shielded wire	—	CT150-1D-ILG	

SEMI-AUTOMATIC CRIMPING MACHINE



HAND CRIMPING TOOL



CONTACT EXTRACTION TOOL P/N: JET-ILG-NO2



Note: Please consult JAE for details on application tools.