



M AND MG SERIES



Revised 7/7/94

ELECTRICAL CHARACTERISTICS							
Piconics Part Number	Length Nom Inches	L nH +/-10%	Test Freq Mhz	Q Min	SRF Min Ghz	DCR Max Ohms	Idc Max ma
M2T47	.004	10.4	200	25	28	.20	100
M3T47	.005	14.1	200	26	25	.23	100
M5T47	.010	24	200	29	15	.29	100
M8T47	.014	39	100	23	14	.38	100
M10T47	.017	50	100	23	13	.46	100
M15T47	.026	80	100	24	11	.61	100
M20T47	.034	116	100	25	8	.76	100
M25T47	.043	146	25	17	6	.91	100
M30T47	.050	178	25	17	6	1.1	100
M35T47	.060	213	25	17	5	1.3	100
M40T47	.068	240	25	17	4	1.4	100
M45T47	.077	282	25	17	3	1.6	100
M50T47	.085	320	25	17	3	1.8	100
M55T47	.095	343	25	17	2	1.9	100
M60T47	.102	388	25	17	2	2.0	100
M65T47	.112	415	25	17	2	2.2	100
M70T47	.120	450	25	17	1	2.3	100
M75T47	.128	485	25	17	1	2.5	100
M80T47	.136	530	25	17	1	2.7	100
M85T47	.145	565	25	17	1	2.9	100
M90T47	.153	615	25	17	1	3.0	100
M95T47	.162	651	25	17	1	3.2	100
M100T47	.170	700	25	17	1	3.4	100

M SERIES

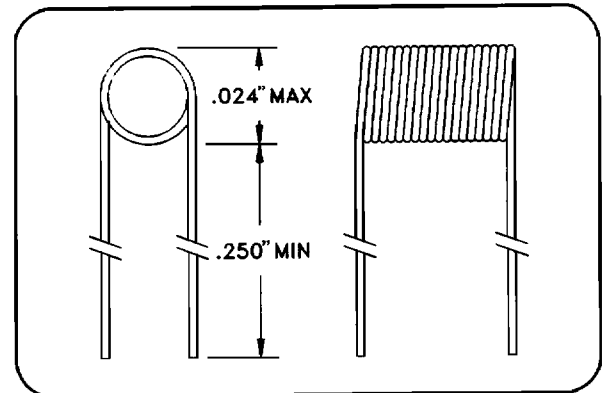
Piconics' M series is a microminiature broadband, air core inductor suitable for microwave applications. This series provides inductance values in a range of 10 to 700 nH, with self-resonant frequencies of 28 to 1 GHz. Standard M series inductors are constructed of #47 AWG insulated copper wire rated at 130° C, in a range of 2 to 100 turns with radial leads. Piconics also provides other combinations of wire sizes, insulations and lead configurations for custom applications.

Applications include oscillators, mixers, switches, stripline assemblies, filters, frequency multipliers and bias networks. Our application department will cheerfully assist you with your application questions.

PHYSICAL CHARACTERISTICS

- Air Core
- Self-Leaded
- Solder Strippable Leads (SS)
- Recommended operating and storage Temperature Range: -55°C to +125°C

ELECTRICAL CHARACTERISTICS							
Piconics Part Number	Length Nom Inches	L nH +/-10%	Test Freq Mhz	Q Min	SRF Min Ghz	DCR Max Ohms	Idc Max ma
MG2T47SS	.004	11	200	23	28	.30	100
MG3T47SS	.005	15	200	23	25	.33	100
MG5T47SS	.010	25	200	24	15	.41	100
MG8T47SS	.014	41	100	21	14	.55	100
MG10T47SS	.017	53	100	21	13	.63	100
MG15T47SS	.026	86	100	22	11	.97	100
MG20T47SS	.034	130	100	23	8	1.2	100
MG25T47SS	.043	159	25	15	6	1.5	100
MG30T47SS	.050	195	25	15	6	1.7	100
MG35T47SS	.060	234	25	15	5	1.9	100
MG40T47SS	.068	272	25	15	4	2.1	100
MG45T47SS	.077	305	25	15	3	2.4	100
MG50T47SS	.085	346	25	15	3	2.6	100
MG55T47SS	.095	387	25	15	2	2.8	100
MG60T47SS	.102	428	25	15	2	3.0	100
MG65T47SS	.112	470	25	15	2	3.3	100
MG70T47SS	.120	510	25	15	1	3.5	100
MG75T47SS	.128	550	25	15	1	3.7	100
MG80T47SS	.136	592	25	15	1	3.9	100
MG85T47SS	.145	633	25	15	1	4.1	100
MG90T47SS	.153	670	25	15	1	4.3	100
MG95T47SS	.162	710	25	15	1	4.5	100
MG100T47SS	.170	760	25	15	1	4.7	100



M AND MG SERIES

MG SERIES

Piconics MG series is similar to the M series except that it uses gold wire and is suitable for gold wire bonding techniques.

PHYSICAL CHARACTERISTICS

- Air Core
- Self-Leaded
- Thermo-Compression Bondable
- Recommended operating and storage Temperature Range: -55°C to +125°C