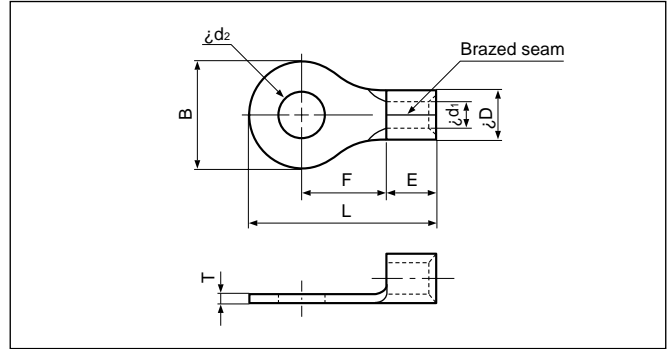


RING TONGUE (R type) *Non-insulated (Heavy duty)*



	Applicable Wire AWG#(mm ²)	Stud size		Part No.	Standard	Dimensions mm (in.)								Tool No.	Qty/box
		American	Metric			ϕd_2	B	L	F	E	ϕD	ϕd_1	T		
E type	22 to 16 (0.25 to 1.65)	5-6	3.5	1.25-3E		3.7 (.146)	8.0 (.315)	16.4 (.646)	7.6 (.299)	4.8 (.189)	4.0 (.157)	1.9 (.075)	1.0 (.039)	YHT-2210 YA-1,YA-2 YA-4 BCT-0514	1,000
		8	4	1.25-4E		4.3 (.169)	8.0 (.315)	16.4 (.646)	7.6 (.299)						
		10	5	1.25-5E		5.3 (.209)	8.0 (.315)	16.4 (.646)	7.6 (.299)						
	16 to 14 (1.04 to 2.63)	8	4	2-4E		4.3 (.169)	9.2 (.362)	18.6 (.732)	7.2 (.284)	6.8 (.268)	5.5 (.217)	2.3 (.091)	1.6 (.063)	YHT-2210 YA-1 YA-2 YA-4 BCT-0514	500
		10	5	2-5E		5.3 (.209)	9.2 (.362)	18.6 (.732)	7.2 (.284)						
		1/4	6	2-6E		6.4 (.252)	13.6 (.535)	25.3 (.996)	11.7 (.461)						
		5/16	8	2-8E		8.4 (.331)	13.6 (.535)	25.3 (.996)	11.7 (.461)						
		3/8	10	2-10E		10.5 (.413)	13.6 (.535)	25.3 (.996)	11.7 (.461)						
		7/16	12	2-12E		13.0 (.512)	19.0 (.748)	33.0 (1.299)	16.7 (.657)						
		3-4	3	2-3.2ES		3.2 (.126)	7.1 (.280)	15.4 (.606)	5.7 (.224)						
ES type	16 to 14 (1.04 to 2.63)	5-6	3.5	2-3ES	3.7 (.146)	7.1 (.280)	15.4 (.606)	5.7 (.224)							
		8	4	2-4ES	4.3 (.169)	8.7 (.343)	17.8 (.701)	7.3 (.287)							
		10	5	2-5ES	5.3 (.209)	8.7 (.343)	17.8 (.701)	7.3 (.287)							
		1/4	6	2-6ES	6.4 (.252)	13.5 (.532)	24.2 (.953)	11.3 (.445)							
		5/16	8	2-8ES	8.4 (.331)	13.5 (.532)	24.2 (.953)	11.3 (.445)							
		3/8	9	2-9ES	9.8 (.386)	13.5 (.532)	24.2 (.953)	11.3 (.445)							
		3/8	10	2-10ES	10.5 (.413)	13.5 (.532)	24.2 (.953)	11.3 (.445)							
		3/8	10	2-L10ES	10.5 (.413)	19.0 (.748)	31.6 (1.244)	16.0 (.630)							

Note: 1) The ϕD of products with the suffix "E" at the end of the part number is one size larger than the non-insulated terminal with the same part number.
For the crimping tool jaws, select one size larger from among the three jaw sizes on the YHT-2210 crimping tool.

2) Contact JST concerning minimum lot size.

3) The part numbers indicated in the above table are for products with a braze seam.

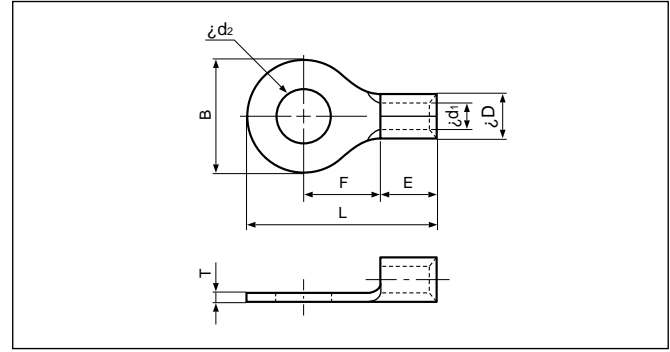
When ordering products with a butted seam, add the prefix "WS" to the part number (ex. 2-4E → **WS2-4E**).

4) Delivery lead times may vary depending on the product. Contact JST for details.

Solderless terminals



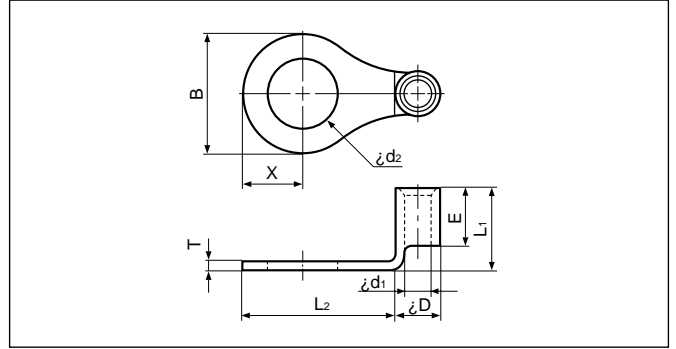
RING TONGUE (R type) Non-insulated, of nickel



Applicable Wire AWG#(mm ²)	Stud size		Part No.	Standard	Dimensions mm (in.)								Tool No.	Qty/box
	American	Metric			ø d ₂	B	L	F	E	ø D	ø d ₁	T		
22 to 16 (0.25 to 1.65)	3-4	3	NIP1.25-3		3.2 (.126)	5.5 (.205)	11.5 (.453)	4.0 (.157)	4.8 (.189)	3.4 (.134)	1.7 (.067)	0.8 (.031)	YHT-2210 YA-4 BCT-0514	1,000
	5-6	3.5	NIP1.25-M3		3.7 (.146)	6.6 (.260)	14.4 (.567)	6.3 (.248)						
	8	4	NIP1.25-M4		4.3 (.169)	6.6 (.260)	14.4 (.567)	6.3 (.248)						
	8	4	NIP1.25-4		4.3 (.169)	8.0 (.315)	15.8 (.622)	7.0 (.276)						
	10	5	NIP1.25-5		5.3 (.209)	8.0 (.315)	15.8 (.622)	7.0 (.276)						
	1/4	6	NIP1.25-6		6.4 (.252)	11.6 (.457)	21.7 (.854)	11.1 (.437)						
	5/16	8	NIP1.25-8		8.4 (.331)	11.6 (.457)	21.7 (.854)	11.1 (.437)						
16 to 14 (1.04 to 2.63)	3-4	3	NIP2-S3.3		3.2 (.126)	6.4 (.252)	12.3 (.484)	4.3 (.169)	4.8 (.189)	4.0 (.157)	2.3 (.091)	0.8 (.031)	YHT-2210 YA-4 BCT-0514	1,000
	3-4	3	NIP2-3		3.2 (.126)	8.5 (.335)	16.8 (.661)	7.8 (.307)						
	5-6	3.5	NIP2-S3		3.7 (.146)	6.4 (.252)	12.3 (.484)	4.3 (.169)						
	5-6	3.5	NIP2-M3		3.7 (.146)	6.6 (.260)	14.4 (.567)	6.3 (.248)						
	8	4	NIP2-M4		4.3 (.169)	6.6 (.260)	14.4 (.567)	6.3 (.248)						
	8	4	NIP2-4		4.3 (.169)	8.5 (.335)	16.8 (.661)	7.8 (.307)						
	10	5	NIP2-5		5.3 (.209)	9.5 (.374)	16.8 (.661)	7.3 (.287)						
	1/4	6	NIP2-6		6.4 (.252)	12.0 (.472)	21.8 (.858)	11.0 (.433)						
	5/16	8	NIP2-8		8.4 (.331)	12.0 (.472)	21.8 (.858)	11.0 (.433)						
12 to 10 (2.63 to 6.64)	8	4	NIP5.5-S4		4.3 (.169)	7.2 (.284)	15.7 (.618)	5.9 (.232)	6.8 (.268)	5.5 (.217)	3.4 (.134)	1.0 (.039)	YHT-2210 YA-4 BCT-0514	1,000
	8	4	NIP5.5-4		4.3 (.169)	9.5 (.374)	19.8 (.780)	8.3 (.327)						
	10	5	NIP5.5-5		5.3 (.209)	9.5 (.374)	19.8 (.780)	8.3 (.327)						
	1/4	6	NIP5.5-6		6.4 (.252)	12.0 (.472)	25.8 (1.016)	13.0 (.512)						
	1/4	6	NIP5.5-S6		6.4 (.252)	13.2 (.520)	22.4 (.882)	9.0 (.354)						
	5/16	8	NIP5.5-8		8.4 (.331)	15.0 (.591)	28.0 (1.102)	13.7 (.539)						
	3/8	10	NIP5.5-10		10.5 (.413)	15.0 (.591)	28.0 (1.102)	13.7 (.539)						
8 (6.64 to 10.52)	8	4	NIP8-4		4.3 (.169)	12.0 (.472)	23.8 (.937)	9.3 (.366)	8.5 (.335)	7.1 (.280)	4.5 (.177)	1.2 (.047)	YA-4 YA-5 YPT-60-21 YPT-150-1 BCT-0514 BCT-860 BCT-8150 YF-1 YET-60-1 E-4 YET-150-1	500
	10	5	NIP8-5		5.3 (.209)	12.0 (.472)	23.8 (.937)	9.3 (.366)						
	1/4	6	NIP8-6		6.4 (.252)	12.0 (.472)	23.8 (.937)	9.3 (.366)						
	5/16	8	NIP8-8		8.4 (.331)	15.0 (.591)	29.8 (1.173)	13.8 (.543)						
	3/8	10	NIP8-10		10.5 (.413)	15.0 (.591)	29.8 (1.173)	13.8 (.543)						
	1/2	12	NIP8-12		13.0 (.512)	20.0 (.787)	33.5 (1.319)	15.0 (.591)						
6 (10.52 to 16.78)	10	5	NIP14-5		5.3 (.209)	12.0 (.472)	29.8 (1.173)	13.3 (.524)	10.5 (.413)	9.0 (.354)	5.8 (.228)	1.5 (.059)	YA-5 YPT-60-21 YPT-150-1 BCT-860 BCT-8150 YF-1 YET-60-1 E-4 YET-150-1	200
	1/4	6	NIP14-6		6.4 (.252)	12.0 (.472)	29.8 (1.173)	13.3 (.524)						
	5/16	8	NIP14-8		8.4 (.331)	16.0 (.630)	32.8 (1.291)	14.5 (.571)						
	3/8	10	NIP14-10		10.5 (.413)	16.0 (.630)	32.8 (1.291)	14.5 (.571)						
	1/2	12	NIP14-12		13.0 (.512)	22.0 (.866)	41.0 (1.614)	19.5 (.768)						

Note:1) Contact JST concerning minimum lot size.
 2) Delivery lead times may vary depending on the product. Contact JST for details.

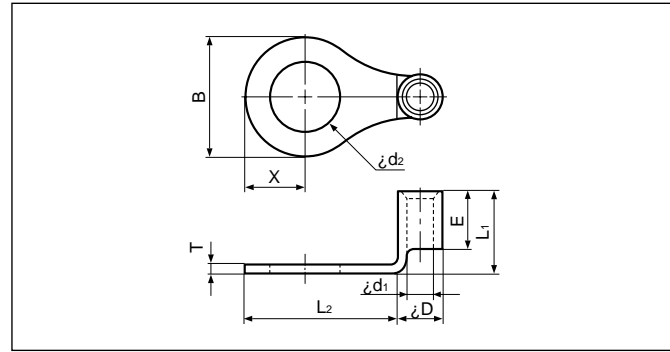
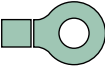
RING TONGUE (R type) *Non-insulated, bent at 90°*



File No.: E42024 LR20812

Applicable Wire AWG#(mm ²)	Stud size		Part No.	Standard	Dimensions mm (in.)										Tool No.				Qty/box
	American	Metric			ø d ₂	B	L ₁	L ₂	X	E	ø D	ø d ₁	T	YHT-2210	YA-1	YA-2	YA-4		
22 to 16 (0.25 to 1.65)	1-2	2	L1.25-2		2.2 (.087)	5.5 (.217)	6.5 (.256)	5.8 (.228)	2.8 (.110)	4.8 (.189)	3.3 (.130)	1.7 (.067)	0.8 (.031)	0	0	0	0	1,000	
	3-4	3	L1.25-3		3.2 (.126)	5.5 (.217)	6.5 (.256)	5.8 (.228)	2.8 (.110)										
	3-4	3	L1.25-M3.3		3.2 (.126)	6.6 (.260)	6.5 (.256)	8.5 (.335)	3.3 (.130)										
	3-4	3	L1.25-L3		3.2 (.126)	8.0 (.315)	6.5 (.256)	10.0 (.394)	4.0 (.157)										
	5-6	3.5	L1.25-3.7		3.7 (.146)	5.5 (.217)	6.5 (.256)	5.8 (.228)	2.8 (.110)										
	5-6	3.5	L1.25-M3		3.7 (.146)	6.6 (.260)	6.5 (.256)	8.5 (.335)	3.3 (.130)										
	8	4	L1.25-M4		4.3 (.169)	6.6 (.260)	6.5 (.256)	8.5 (.335)	3.3 (.130)										
	8	4	L1.25-4		4.3 (.169)	8.0 (.315)	6.5 (.256)	10.0 (.394)	4.0 (.157)										
	10	5	L1.25-5		5.3 (.209)	8.0 (.315)	6.5 (.256)	10.0 (.394)	4.0 (.157)										
	1/4	6	L1.25-6		6.4 (.252)	11.6 (.457)	6.5 (.256)	16.0 (.630)	5.8 (.228)										
5/16	8	L1.25-8	8.4 (.331)	11.6 (.457)	6.5 (.256)	16.0 (.630)	5.8 (.228)												
16 to 14 (1.04 to 2.63)	1-2	2	L2-S2		2.2 (.087)	6.4 (.252)	6.5 (.256)	6.5 (.256)	3.2 (.126)	4.8 (.189)	4.0 (.157)	2.3 (.091)	0.8 (.031)	0	0	0	1,000		
	3-4	3	L2-S3.3		3.2 (.126)	6.4 (.252)	6.5 (.256)	6.5 (.256)	3.2 (.126)										
	3-4	3	L2-M3.3		3.2 (.126)	6.6 (.260)	6.5 (.256)	8.5 (.335)	3.3 (.130)										
	3-4	3	L2-3		3.2 (.126)	8.5 (.335)	6.5 (.256)	11.0 (.433)	4.3 (.169)										
	5-6	3.5	L2-S3		3.7 (.146)	6.4 (.252)	6.5 (.256)	6.5 (.256)	3.2 (.126)										
	5-6	3.5	L2-M3		3.7 (.146)	6.6 (.260)	6.5 (.256)	8.5 (.335)	3.3 (.130)										
	5-6	3.5	L2-P3.5		3.7 (.146)	7.0 (.276)	6.5 (.256)	10.2 (.402)	3.5 (.138)										
	8	4	L2-M4		4.3 (.169)	6.6 (.260)	6.5 (.256)	8.5 (.335)	3.3 (.130)										
	8	4	L2-P4		4.3 (.169)	7.0 (.276)	6.5 (.256)	10.2 (.402)	3.5 (.138)										
	8	4	L2-4		4.3 (.169)	8.5 (.335)	6.5 (.256)	11.0 (.433)	4.3 (.169)										
	10	5	L2-M5		5.3 (.209)	8.5 (.335)	6.5 (.256)	11.0 (.433)	4.3 (.169)										
	10	5	L2-5		5.3 (.209)	9.5 (.374)	6.5 (.256)	11.0 (.433)	4.8 (.189)										
	1/4	6	L2-6		6.4 (.252)	12.0 (.472)	6.5 (.256)	16.0 (.630)	6.0 (.236)										
	5/16	8	L2-8		8.4 (.331)	12.0 (.472)	6.5 (.256)	16.0 (.630)	6.0 (.236)										
3/8	10	L2-10	10.5 (.413)	13.6 (.535)	6.5 (.256)	19.5 (.768)	6.8 (.268)												
1/2	12	L2-12	13.0 (.512)	19.0 (.748)	6.5 (.256)	25.0 (.984)	9.5 (.374)												
12 to 10 (2.63 to 6.64)	3-4	3	L5.5-3		3.2 (.126)	9.5 (.374)	9.5 (.374)	11.0 (.433)	4.8 (.189)	6.8 (.268)	5.5 (.217)	3.4 (.134)	1.0 (.039)	0	0	0	1,000		
	8	4	L5.5-4		4.3 (.169)	9.5 (.374)	9.5 (.374)	11.0 (.433)	4.8 (.189)										
	10	5	L5.5-5		5.3 (.209)	9.5 (.374)	9.5 (.374)	11.0 (.433)	4.8 (.189)										
	1/4	6	L5.5-6		6.4 (.252)	12.0 (.472)	9.8 (.386)	16.8 (.661)	6.0 (.236)										
	5/16	8	L5.5-8		8.4 (.331)	15.0 (.591)	9.5 (.374)	19.0 (.748)	7.5 (.295)										
	3/8	10	L5.5-10		10.5 (.413)	15.0 (.591)	9.5 (.374)	19.0 (.748)	7.5 (.295)										
	1/2	12	L5.5-12		13.0 (.512)	19.2 (.756)	9.5 (.374)	23.5 (.925)	9.6 (.378)										
	1/2	14	L5.5-14		15.0 (.591)	32.0 (1.260)	9.5 (.374)	39.5 (1.555)	16.0 (.630)										
	5/8	16	L5.5-16		17.0 (.669)	32.0 (1.260)	9.5 (.374)	39.5 (1.555)	16.0 (.630)										
	11/16	18	L5.5-18		19.0 (.748)	32.0 (1.260)	9.5 (.374)	39.5 (1.555)	16.0 (.630)										
	3/4	20	L5.5-20		21.0 (.827)	32.0 (1.260)	9.5 (.374)	39.5 (1.555)	16.0 (.630)										

Note:1) The part numbers indicated in the above table are for products with a brazed seam.
 When ordering products with a butted seam, add the prefix "WS" to the part number (ex. L1.25-M3 → **WSL1.25-M3**).
 2) Delivery lead times may vary depending on the product. Contact JST for details.



Applicable Wire AWG# (mm ²)	Stud size		Part No.	Standard	Dimensions mm (in.)								Tool No.				Qty/box			
	American	Metric			ø d ₂	B	L ₁	L ₂	X	E	ø D	ø d ₁	T	YA-5	YPT-60-21	BCT-860		BCT-8150	VF-1E-4+	YET-60-1
8 (6.64 to 10.52)	8	4	L8-4	UL Ⓢ	4.3 (.169)	12.0 (.472)	10.8 (.425)	14.0 (.551)	6.0 (.236)	8.5 (.335)	7.1 (.280)	4.5 (.177)	1.2 (.047)	o	o	o	o	o	o	500
	10	5	L8-5		5.3 (.209)	12.0 (.472)	10.8 (.425)	14.0 (.551)	6.0 (.236)											
	10	5	L8-L5		5.3 (.209)	15.0 (.591)	14.0 (.551)	16.0 (.630)	7.5 (.295)											
	1/4	6	L8-6		6.4 (.252)	12.0 (.472)	10.8 (.425)	14.0 (.551)	6.0 (.236)											
	1/4	6	L8-L6		6.4 (.252)	15.0 (.591)	12.0 (.472)	19.0 (.748)	7.5 (.295)											
	5/16	8	L8-8		8.4 (.331)	15.0 (.591)	12.0 (.472)	19.0 (.748)	7.5 (.295)											
	3/8	10	L8-10		10.5 (.413)	15.0 (.591)	12.0 (.472)	19.0 (.748)	7.5 (.295)											
	7/16	11	L8-11		11.5 (.453)	20.0 (.787)	12.0 (.472)	22.5 (.886)	10.0 (.394)											
	1/2	12	L8-12		13.0 (.512)	20.0 (.787)	12.0 (.472)	22.5 (.886)	10.0 (.394)											
	1/2	14	L8-14		15.0 (.591)	31.6(1.244)	12.0 (.472)	39.0(1.535)	15.8 (.622)											
	5/8	16	L8-16		17.0 (.669)	31.6(1.244)	12.0 (.472)	39.0(1.535)	15.8 (.622)											
11/16	18	L8-18	19.0 (.748)	31.6(1.244)	12.0 (.472)	39.0(1.535)	15.8 (.622)	200												
3/4	20	L8-20	21.0 (.827)	31.6(1.244)	12.0 (.472)	39.0(1.535)	15.8 (.622)													
6 (10.52 to 16.78)	10	5	L14-5	UL Ⓢ	5.3 (.209)	12.0 (.472)	14.5 (.571)	16.5 (.650)	6.0 (.236)	10.5 (.413)	9.0 (.354)	5.8 (.228)	1.5 (.059)	o	o	o	o	o	o	200
	1/4	6	L14-6		6.4 (.252)	12.0 (.472)	14.5 (.571)	16.5 (.650)	6.0 (.236)											
	5/16	8	L14-8		8.4 (.331)	16.0 (.630)	14.5 (.571)	19.8 (.780)	8.0 (.315)											
	3/8	10	L14-10		10.5 (.413)	16.0 (.630)	14.5 (.571)	19.8 (.780)	8.0 (.315)											
	7/16	11	L14-11		11.5 (.453)	22.0 (.866)	14.5 (.571)	27.5(1.083)	11.0 (.433)											
1/2	12	L14-12	13.0 (.512)	22.0 (.866)	14.5 (.571)	27.5(1.083)	11.0 (.433)	100												
4 (16.78 to 26.66)	10	5	L22-5	UL Ⓢ	5.3 (.209)	16.5 (.650)	16.8 (.661)	18.5 (.728)	8.3 (.327)	12.0 (.472)	11.5 (.453)	7.7 (.303)	1.8 (.071)	o	o	o	o	o	o	100
	1/4	6	L22-6		6.4 (.252)	16.5 (.650)	16.8 (.661)	18.5 (.728)	8.3 (.327)											
	5/16	8	L22-8		8.4 (.331)	16.5 (.650)	16.8 (.661)	18.5 (.728)	8.3 (.327)											
	3/8	10	L22-10		10.5 (.413)	17.5 (.689)	17.0 (.669)	21.5 (.847)	8.8 (.346)											
	7/16	11	L22-11		11.5 (.453)	22.0 (.866)	16.5 (.650)	27.5(1.083)	11.0 (.433)											
	1/2	12	L22-12		13.0 (.512)	22.0 (.866)	16.5 (.650)	27.5(1.083)	11.0 (.433)											
	1/2	14	L22-14		15.0 (.591)	30.0(1.181)	16.5 (.650)	36.5(1.437)	15.0 (.591)											
	5/8	16	L22-16		17.0 (.669)	30.0(1.181)	16.5 (.650)	36.5(1.437)	15.0 (.591)											
	11/16	18	L22-18		19.0 (.748)	30.0(1.181)	16.5 (.650)	36.5(1.437)	15.0 (.591)											
3/4	20	L22-20	21.0 (.827)	30.0(1.181)	16.5 (.650)	36.5(1.437)	15.0 (.591)													

Note:1) Delivery lead times may vary depending on the product. Contact JST for details.