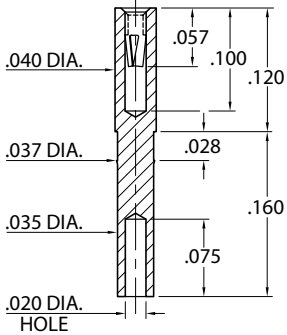
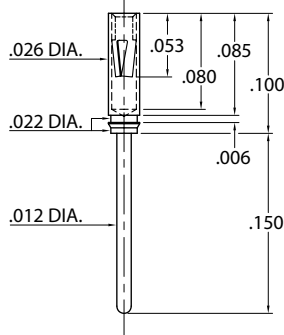


4195



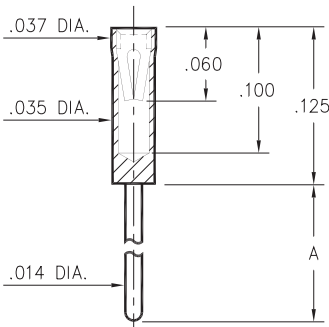
4195-0-19-XX-04-XX-10-0
Wire termination and
press-fit in .036 hole (#64 drill)

8210



8210-0-15-XX-04-XX-04-0
Press-fit in .024/.027 stepped hole

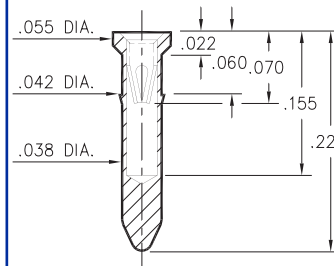
0464



Basic Part Number	Length A
0464-0	.125
0464-1	.250

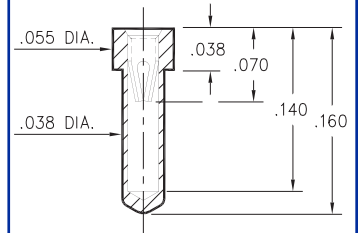
0464-X-15-XX-10-XX-04-0
Solder mount in .016 min.
mounting hole

9225



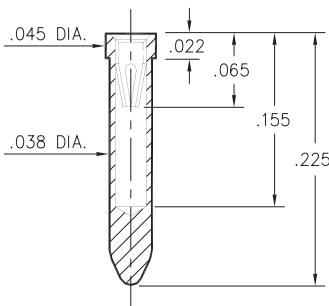
9225-0-15-XX-10-XX-10-0
Press-fit in .039 mounting hole

0529



0529-0-15-XX-10-XX-10-0
.040 min. mounting hole

8947



8947-0-15-XX-10-XX-10-0
Solder mount in .040 min.
mounting hole

SPECIFICATIONS

SHELL MATERIAL:
Brass Alloy 360, 1/2 Hard

CONTACT MATERIAL:
Beryllium Copper Alloy 172, HT

DIMENSION IN INCHES
TOLERANCES ON:
LENGTHS: ±.005
DIAMETERS: ±.002
ANGLES: ± 2°

ORDER CODE: XXXX - X - XX - XX - XX - XX - XX - 0

BASIC PART # _____

SPECIFY SHELL FINISH: _____

01 200μ" TIN/LEAD OVER NICKEL
15 10μ" GOLD OVER NICKEL

SPECIFY CONTACT FINISH:

02 200μ" TIN/LEAD OVER NICKEL
14 10μ" GOLD OVER NICKEL
27 30μ" GOLD OVER NICKEL

SELECT CONTACT

#04 or #10 CONTACT (DATA ON PAGE 205)