

**PLEASE CHECK WWW.MOLEX.COM FOR LATEST PART INFORMATION**

**Part Number:** [0643251188](#)  
**Status:** **Planned for Obsolescence**  
**Overview:** [cmc connectors](#)  
**Description:** 2.80mm (.110"), CMC Wire Seal Receptacle, Gray

**Documents:**

[Drawing \(PDF\)](#) [RoHS Certificate of Compliance \(PDF\)](#)

**General**

Product Family	Crimp Terminals
Series	<a href="#">64325</a>
Comments	For additional details please refer to Application Tooling Spec of Relevant CMC Connector.
Crimp Quality Equipment	Yes
Overview	<a href="#">cmc connectors</a>
Product Name	CMC

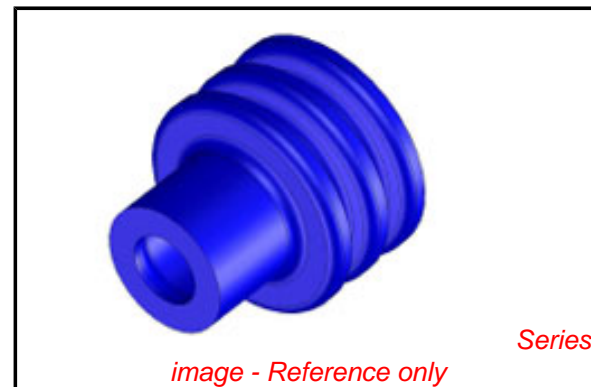
**Physical**

Gender	Receptacle
Material - Metal	N/A
Material - Plating Mating	n/a
Packaging Type	Carton
Plating min: Mating (µin)	N/A
Plating min: Mating (µm)	N/A
Termination Interface: Style	N/A
Wire Insulation Diameter	2.65mm - 3.45mm
Wire Size AWG	N/A
Wire Size mm <sup>2</sup>	2.0 - 3.0

**Material Info**

**Reference - Drawing Numbers**

Sales Drawing	SD-64325-003
---------------	--------------



**EU RoHS**

**ELV and RoHS Compliant**  
**REACH SVHC**  
 Not Reviewed  
**Halogen-Free Status**  
 Not Reviewed

**China RoHS**



**Need more information on product environmental compliance?**

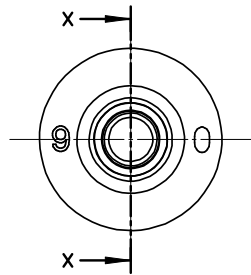
Email [productcompliance@molex.com](mailto:productcompliance@molex.com)  
 For a multiple part number RoHS Certificate of Compliance, [click here](#)

Please visit the [Contact Us](#) section for any non-product compliance questions.

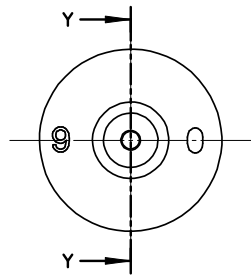
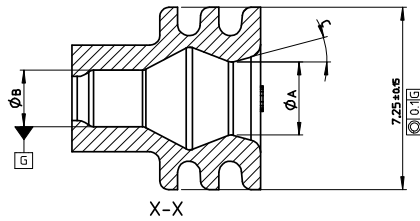
**Search Parts in this Series**  
[64325Series](#)

**Mates With**

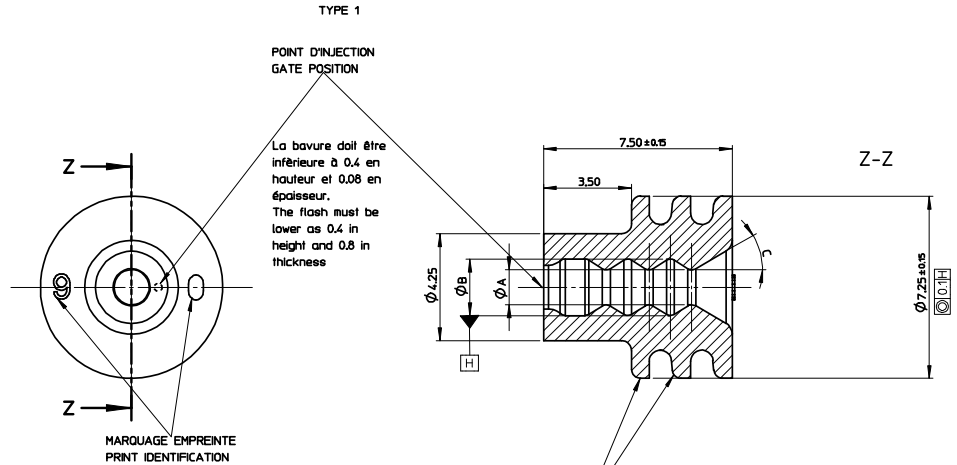
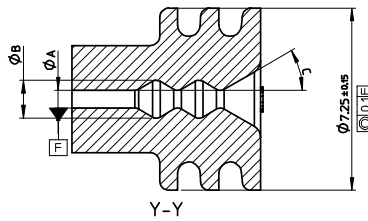
**Use With**  
[64324](#) CMC CP Terminals



TYPE 2



TYPE 3



N°90 représenté : sens de lecture en liaison avec la position du point d'injection  
 chiffre : hauteur 1 +0.2/0 en relief , épaisseur 0.1 +0.1/0

N°90 represented : reading direction in liaison with the gate position  
 Number : height 1 +0.2/0 embossed, thickness 0.1 +0.1/0

Les lèvres du joint doivent être exemptes de bavures, coupures, marque matière, déformations ...  
 No flash, no cut, no less material, no deformation on seal lips

**SPECIFICATION MATIERE : Silicone lubrifié 4%**

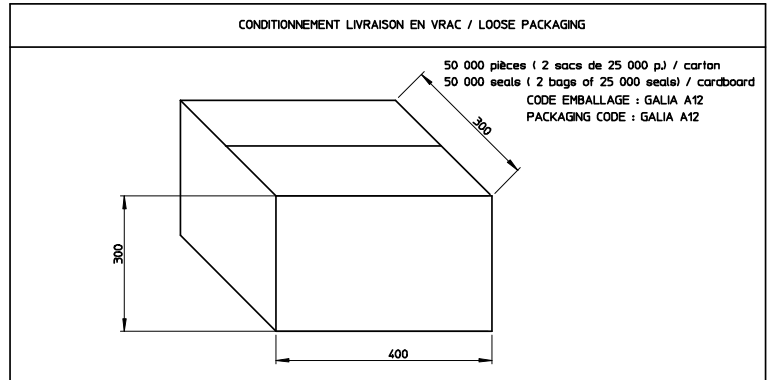
- \* température mini d'utilisation : -40°C
- \* dureté à l'état initial : 50 ± 5 Shore A
- après vieillissement à la chaleur : (70 heures à 232°C) : 55 ± 10 Shore A
- après vieillissement aux solvants : (ASTM#3oil) (70 heures à 149°C) : 25 points d'écart maxi

augmentation du volume 50% maxi  
 \* compression set (ASTM D 395/B) 22 heures à 177°C : 50% maxi  
 \* résistance au déchirement (ASTM D 624/B) 14 KN/M

**MATERIAL SPECIFICATION : Silicon lubricated 4%**

- \* mini temperature for use : -40°C
- \* initial state hardness : 50 ± 5 Shore A
- after ageing with heat : (70 hours at 232°C) : 55 ± 10 Shore A
- after ageing with solvents : (ASTM#3oil) (70 hours at 149°C) : 25 points in difference max

volume increase 50% max  
 \* compression set (ASTM D 395/B) 22 hours to 177°C : 50% max  
 \* tearing resistance (ASTM D 624/B) 14KN/M



REFERENCE MOLEX MOLEX PART NUMBER	COULEUR COLOUR	TYPE	Ø CABLE ADMIS WIRE SECTION ADMITTED	POIDS CALCULÉ (g) CALCULATED WEIGHT (g)	Ø A	Ø B	C
0643251196	BLEU / BLUE	2	3.40/4.00	0.132	3.35/3.65	2.85/3.15	20
0643251188	GRIS/GREY	2	2.65/3.45	0.151	2.75/3.05	2.25/2.55	15
0643251175	VERT/GREEN	1	2.10/2.80	0.168	1.40/1.70	2.25/2.55	30
0643251162	ROUGE/RED	3	1.40/2.15	0.189	0.70/1.00	1.50/1.80	30

<b>FIRST RELEASE</b> EC NO: GZ008-0463 DRAWN BY: JAUOU CHKD BY: BOUHAN APPR: STLEKER 2008/05/16 2008/05/16	GENERAL TOLERANCES (UNLESS SPECIFIED) mm INCH 4 PLACES ± --- ± --- 3 PLACES ± --- ± --- 2 PLACES ± --- ± --- 1 PLACE ± 0.1 ± --- ANGULAR ± 2 °	DIMENSION STYLE MM ONLY	DRAWN BY: VGUERIN DATE: 2007/07/12	SCALE: 10:1 DESIGN UNITS: METRIC	FIRST ANGLE PROJECTION SINGLE WIRE SEAL FOR CP 2.8 TERMINAL
			CHECKED BY: FPAROLARI DATE: 2007/07/12	APPROVED BY: LSTICKEI DATE: 2007/07/13	

DRAFT WHERE APPLICABLE MUST REMAIN WITHIN DIMENSIONS

SEE CHART

THIS DRAWING CONTAINS INFORMATION THAT IS PROPRIETARY TO MOLEX INCORPORATED AND SHOULD NOT BE USED WITHOUT WRITTEN PERMISSION