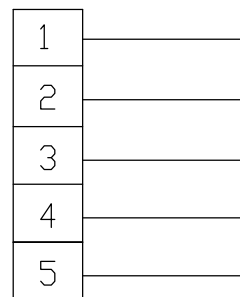
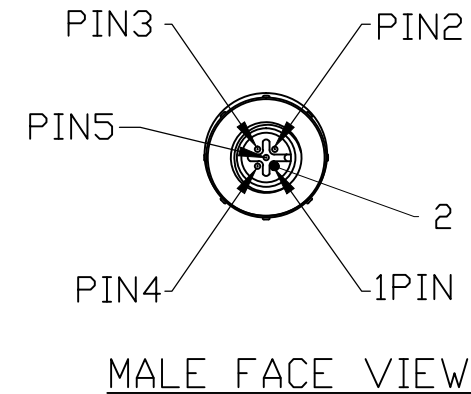
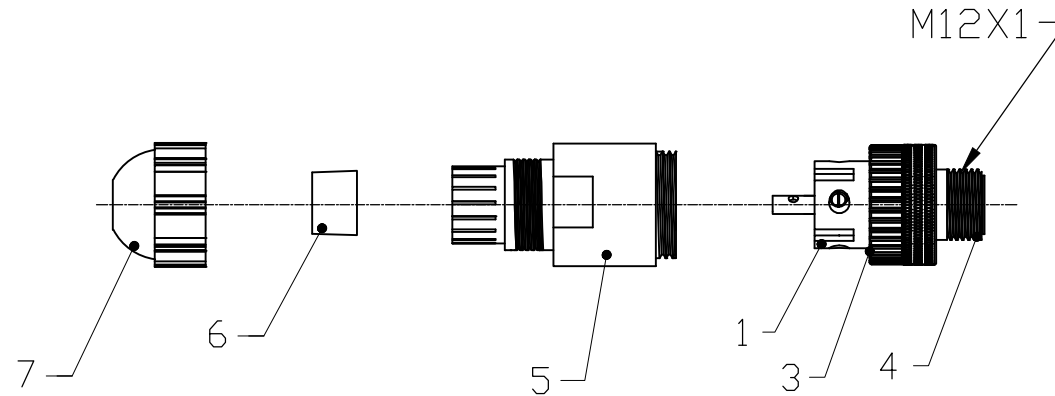
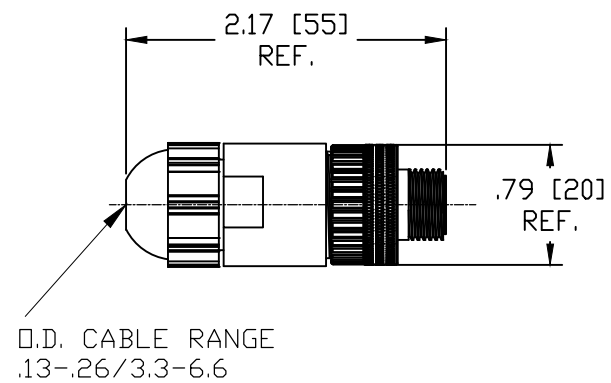
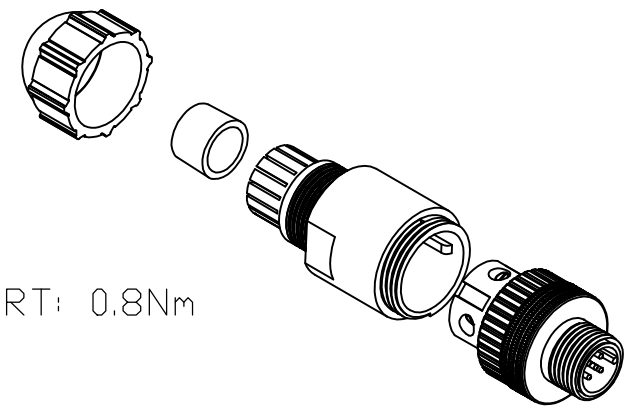


MATERIAL NUMBER	ENGINEERING NUMBER
1200710045	8A5006-31

TORQUE RECOMMENDATION:

CABLE SCREW PG7: 2.4Nm
 THREAD BETWEEN HOUSING AND INSERT: 0.8Nm
 STRAND SCREW (CONTACT): 0.4Nm



WIRING CHART

VOLTAGE RATING	30VAC/36VDC
AMPERAGE RATING	4 AMPS
PROTECTION	IP67
OPERATING TEMPERATURE	-25°C TO 90°C
CSA CERTIFICATIONS	CSA CERTIFIED, FILE NO. LR6837

ITEM		COMPONENT	MATERIAL	FINISH
1	1	INSERT	POLYAMIDE	BLACK
2	5	CONTACTS	COPPER ALLOY	SILVER PLATED
3	1	O-RING	NITRILE	BLACK
4	1	COUPLING NUT	BRASS	NICKEL PLATED
5	1	MOLDED BODY	POLYAMIDE	BLACK
6	1	GROMMET	NITRILE	BLACK
7	1	CORD GRIP BODY	POLYAMIDE	BLACK

DESCRIPTION EC NO: IPG2013-1257 DRWN: REISSNER CHKD: APOHL APPR: CBURGER 13.02.13	QUALITY SYMBOLS	GENERAL TOLERANCES (UNLESS SPECIFIED) mm INCH 4 PLACES ±--- ±--- 3 PLACES ±--- ±--- 2 PLACES ±--- ±--- 1 PLACE ±0.3 ±--- 0 PLACE ±0.5 ±--- ANGULAR ± 1 ° DRAFT WHERE APPLICABLE MUST REMAIN WITHIN DIMENSIONS	DIMENSION STYLE	SCALE	DESIGN UNITS	THIRD ANGLE PROJECTION FA M12 5P AC MA STR UNSH BK BRA --- molex MATERIAL NO. 1200710045 DOCUMENT NO. SD-120071-004 SHEET NO. 1 OF 1
			MM	---	METRIC	
			DRAWN BY DATE	TWOLDEGE 2009/08/07		
			CHECKED BY DATE	APOHL 2013/02/14		
			APPROVED BY DATE	---		
A1	REV	SIZE	THIS DRAWING CONTAINS INFORMATION THAT IS PROPRIETARY TO MOLEX INCORPORATED AND SHOULD NOT BE USED WITHOUT WRITTEN PERMISSION			
		A3				