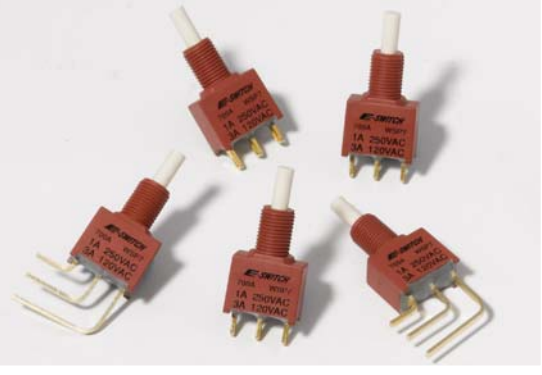


# SERIES 700A SWITCHES

## PUSHBUTTON SWITCHES - SEALED



### FEATURES & BENEFITS

- ▶ Snap acting contact design
- ▶ Gold & silver contact options
- ▶ Multiple termination options
- ▶ IP-67 sealed design

### APPLICATIONS/MARKETS

- ▶ Telecommunications
- ▶ Networking
- ▶ Computers/servers
- ▶ Performance audio
- ▶ Instrumentation
- ▶ Low power on/off designs
- ▶ External hard drives and modems

### SPECIFICATIONS

Contact Rating:	Gold, 0.4 VA Max @ 20V (AC or DC) Max Silver, 3A @ 120 VAC or 28 VDC, 1A @ 250 VAC
Life Expectancy:	50,000 cycles
Contact Resistance:	20mΩ
Insulation Resistance:	1000MΩ
Dielectric Strength:	1500V RMS
Operating Temperature:	-30°C to 85°C

### MATERIALS

Housing:	Nylon, UL94V0
Actuator:	Nylon, UL94V0
Contacts:	Brass, silver or gold plated
Terminals:	Silver or gold plated copper alloy

### HOW TO ORDER

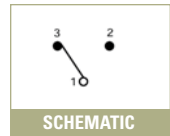
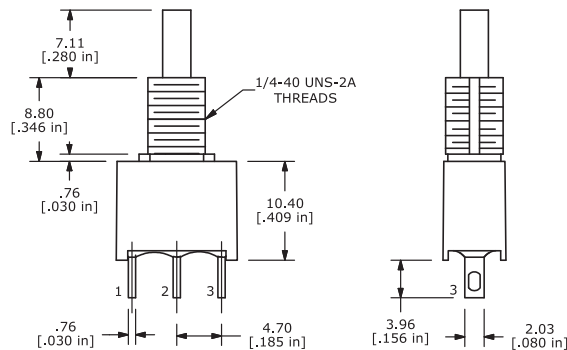
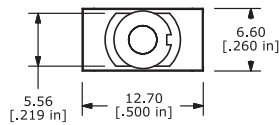
SERIES	MODEL NO.	BUSHING	TERMINATION	CONTACT MATERIAL	SEAL	HARDWARE
700A	SP7 DP7	B10 B21	M1 M2 M6 M7 VS2 VS3	Q = Silver R = Gold	E = Epoxy seal on terminals (standard)	H = Hardware included w/threaded bushing (standard)

Example Ordering Number  
700A-SP7-B10-M2-Q-E-H

Specifications subject to change without notice.

## M1

### SOLDER





# SERIES 700A SWITCHES

## PUSHBUTTON SWITCHES - SEALED

TACT SWITCHES

NAVIGATION SWITCHES

PUSHBUTTON SWITCHES

TOGGLE SWITCHES

ROCKER SWITCHES

SLIDE SWITCHES

SNAP-ACTION SWITCHES

DIP SWITCHES

KEYLOCK SWITCHES

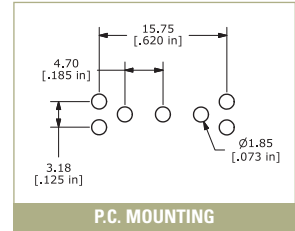
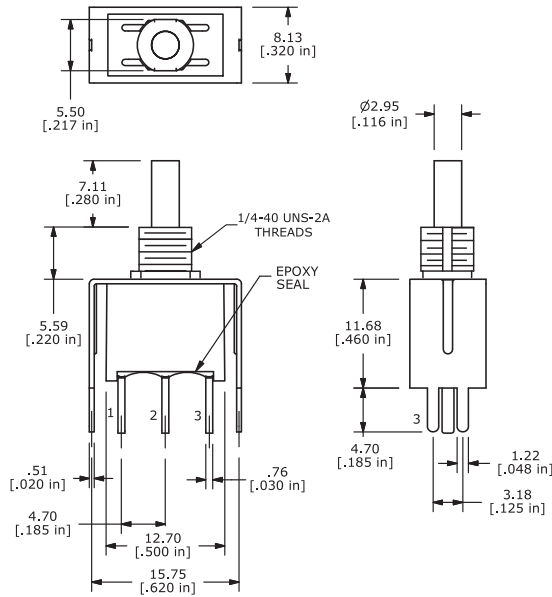
ROTARY SWITCHES

DETECTOR SWITCHES

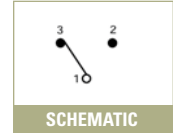
CAP OPTIONS

### VS2

#### 460 SUPPORT BRACKET



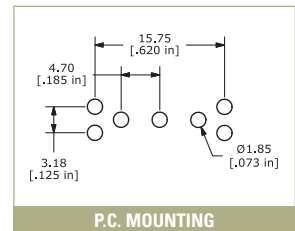
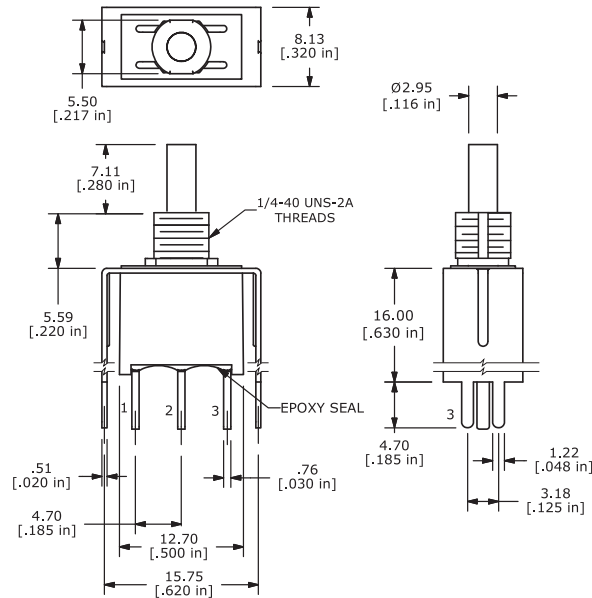
P.C. MOUNTING



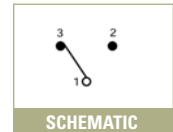
SCHEMATIC

### VS3

#### 630 SUPPORT BRACKET



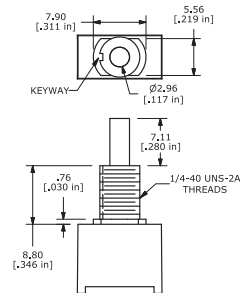
P.C. MOUNTING



SCHEMATIC

### BUSHING OPTIONS

#### B10 THD



#### B21 NON-THD

