

PLEASE CHECK WWW.MOLEX.COM FOR LATEST PART INFORMATION

Part Number: [0885263800](#)
Status: **Active**
Overview: [fiber optic product families](#)
Description: LC-to-LC, Multimode, 62.5/125µm, Duplex, 1.60mm (.063"), Standard Fiber Optic Cable Assembly, 1.0m (3.28')

Documents:

[Drawing \(PDF\)](#) [RoHS Certificate of Compliance \(PDF\)](#)

General

Product Family	Fiber Optic Assemblies
Series	88526
Connector to Connector	LC-to-LC
Mode	Multimode
Overview	fiber optic product families
Product Name	LC

Physical

Cable Length	1.0m (3.28')
Cable Size	1.60mm (.063")
Fiber (Core/Cladding)	62.5/125µm
Single Ended	No
Wire/Cable Type	Duplex

Material Info

Reference - Drawing Numbers

Sales Drawing	SD-88526-034
---------------	--------------

EU RoHS

**ELV and RoHS
Compliant**

REACH SVHC

Not Reviewed

Halogen-Free

Status

Not Reviewed

China RoHS



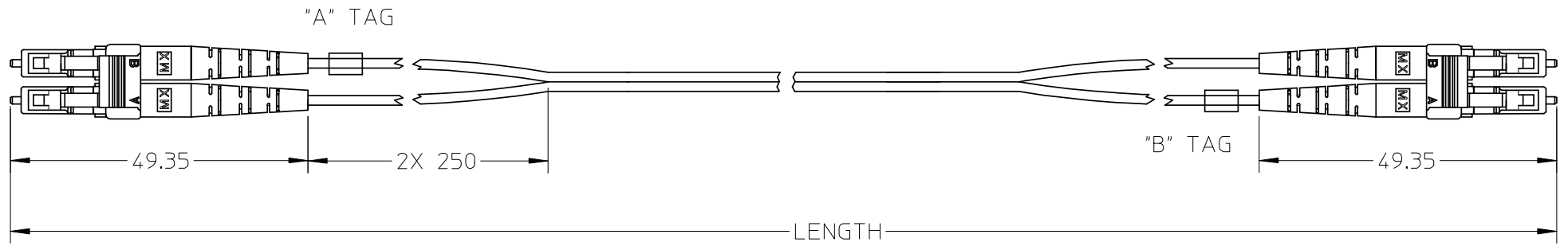
**Need more information on product
environmental compliance?**

Email productcompliance@molex.com
For a multiple part number RoHS Certificate of Compliance, [click here](#)

Please visit the [Contact Us](#) section for any non-product compliance questions.

Search Parts in this Series

[88526Series](#)



885263804	LC-LC DUP MM 62.5/125 1.6MM 10M	10000(+200/-0)
885263803	LC-LC DUP MM 62.5/125 1.6MM 5M	5000(+200/-0)
885263802	LC-LC DUP MM 62.5/125 1.6MM 3M	3000(+200/-0)
885263801	LC-LC DUP MM 62.5/125 1.6MM 2M	2000(+200/-0)
885263800	LC-LC DUP MM 62.5/125 1.6MM 1M	1000(+100/-0)
MX P/N	DESCRIPTION	LENGTH

NOTES:

1. DUST CAPS ARE NOT SHOWN
2. PER CHANNEL @ 850nm
IL <= 0.5dB

ENTER DESCRIPTION EC NO: DG2009-0023 DRWN: XPCHEN CHKD: APPR: JOWANG	2008/08/04	DESCRIPTION
	2008/08/04	
	2008/08/04	
	2008/08/04	
B	REV	

QUALITY SYMBOLS
▽=0
∇=0

GENERAL TOLERANCES (UNLESS SPECIFIED)	DIMENSION STYLE	
	MM ONLY	
	mm	INCH
	4 PLACES ± ---	± ---
DRAFT WHERE APPLICABLE MUST REMAIN WITHIN DIMENSIONS	3 PLACES ± ---	± ---
	2 PLACES ± ---	± ---
	1 PLACE ± ---	± ---
ANGULAR ± ---°		

DRAWN BY	DATE
XP	2008/08/01
CHECKED BY	DATE
LISA	2008/08/01
APPROVED BY	DATE
JOHNNY	2008/08/01
MATERIAL NO.	
SEE TABLE	
SIZE	
A4	

SCALE	DESIGN UNITS	THIRD ANGLE PROJECTION
---	METRIC	
TITLE		
LC-LC DUP MM 62.5 1.6MM		
MOLEX MOLEX INCORPORATED		
DOCUMENT NO.	SHEET NO.	
SD-88526-034	1 OF 1	
THIS DRAWING CONTAINS INFORMATION THAT IS PROPRIETARY TO MOLEX INCORPORATED AND SHOULD NOT BE USED WITHOUT WRITTEN PERMISSION		