

## 75 Ohm F Male to PAL Plug Adapter



## TECHNICAL DATA SHEET

PE9633

## 75 Ohm F Male to PAL Plug Adapter

**Configuration**

Connector 1	F Male
Impedance 1	75 Ohms
Connector 2	PAL Plug
Impedance 2	75 Ohms
Adapter Design	Standard
Body Style	Straight

**Mechanical Specifications**
**Size**

Length, in [mm]	1.045 [26.54]
Width/Dia., in [mm]	0.438 [11.13]

**Connector 1**

Type	F Male
Inner Conductor Material and Plating	Brass, Gold
Inner Conductor Plating Specification	3μ in. minimum
Coupling Nut Material and Plating	Brass, Nickel
Coupling Nut Plating Specification	100μ in. minimum
Hex Size, in.	7/16
Torque, in-lbs [Nm]	15 [1.7]
Body Material and Plating	Brass, Nickel
Body Plating Specification	100μ in. minimum
Dielectric Type	Teflon

**Connector 2**

Type	PAL Plug
Inner Conductor Material and Plating	Brass, Gold
Inner Conductor Plating Specification	3μ in. minimum
Body Material and Plating	Brass, Nickel
Body Plating Specification	100μ in. minimum
Dielectric Type	Teflon

**Compliance Certifications** (visit [www.Pasternack.com](http://www.Pasternack.com) for current document)

RoHS Compliant	Yes
----------------	-----

**Plotted and Other Data**

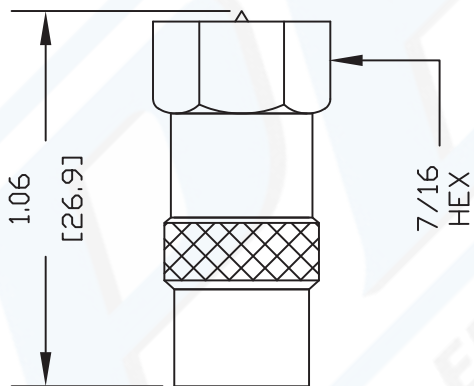
Notes: Values at 25 °C, sea level

 URL: <http://www.pasternack.com/f-male-pal-plug-straight-adapter-pe9633-p.aspx>

75 Ohm F Male to PAL Plug Adapter from Pasternack Enterprises has same day shipment for domestic and International orders. Our RF, microwave and fiber optic products maintain a 99% availability and are part of the broadest selection in the

The information contained in this document is accurate to the best of our knowledge and representative of the part described herein. It may be necessary to make modifications to the part and/or the documentation of the part, in order to implement improvements. Pasternack reserves the right to make such changes as required. Unless otherwise stated, all specifications are nominal.

**PE9633 CAD Drawing**  
75 Ohm F Male to PAL Plug Adapter



NOTES:  
 1. UNLESS OTHERWISE SPECIFIED ALL DIMENSIONS ARE NOMINAL.  
 2. ALL SPECIFICATIONS ARE SUBJECT TO CHANGE WITHOUT NOTICE AT ANY TIME.  
 3. DIMENSIONS ARE IN INCHES (mm).

DWG TITLE  
**PE9633**

REV. -

FSCM NO. 53919

CAD FILE 111502

SCALE N/A

SIZE A

127

**PASTERNAK ENTERPRISES, INC.**  
 P.O. BOX 16759, IRVINE, CA 92623  
 PHONE (949) 261-1920 FAX (949) 261-7451  
 WEB ADDRESS: [www.pasternack.com](http://www.pasternack.com)  
 E-MAIL ADDRESS: [sales@pasternack.com](mailto:sales@pasternack.com)  
**COAXIAL & FIBER OPTICS**

