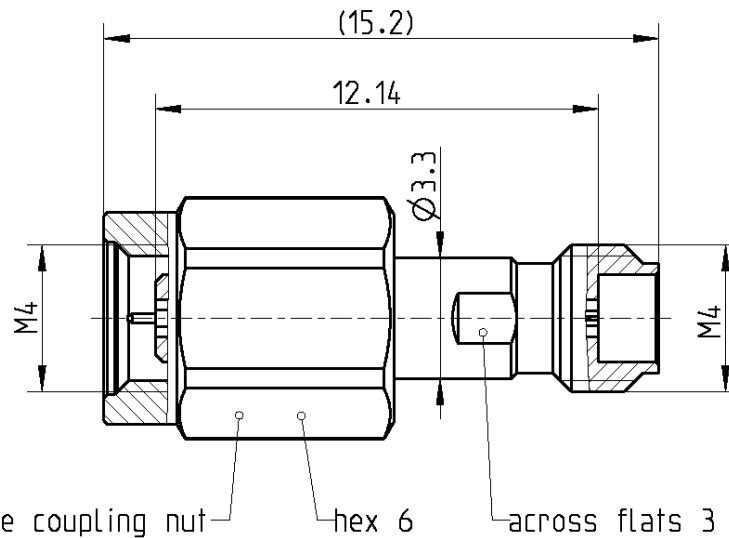




serial ident-no.



All dimensions are in mm; tolerances according to ISO 2768 m-H

Interface

According to IEC 61169-31

Documents

N/A

Material and plating

Connector parts

Center contact
Outer contact
Coupling nut

Material

CuBe
CuBe or equiv.
Stainless steel

Plating

Gold, min. 1.27 µm, over chemical nickel
Gold, min. 1.27 µm, over chemical nickel
Passivated

Electrical data

Impedance	50 Ω ± 1.15 Ω
Frequency	0.8 GHz to 110 GHz
Return loss	≥ 24 dB, 0.8 GHz to 20 GHz ≥ 20 dB, 20 GHz to 50 GHz ≥ 18 dB, 50 GHz to 75 GHz ≥ 14 dB, 75 GHz to 110 GHz
Insertion loss	≤ 0.24 dB at 110 GHz
Center contact resistance	≤ 4.0 mΩ
Outer contact resistance	≤ 1.0 mΩ

Mechanical data

Mating cycles	≥ 500
Coupling test torque	0.70 Nm
Recommended torque	0.30 Nm to 0.41 Nm
Airline dimensions:	
- Outer diameter	1.000 mm ± 0.005 mm
- Inner diameter	0.434 mm ± 0.0025 mm
- Length outer contact	12.14 mm + 0.02 mm
- Length center contact	12.14 mm – 0.02 mm
- Difference (outer/center-contact)	max. 0.04 mm

Environmental data

Temperature range:	
- Operating temperature ¹	+20°C to +26°C
- Storage temperature	-40°C to +85°C
Thermal shock	IEC 61169-1, Subclause 9.4.4
Corrosion	IEC 61169-1, Subclause 9.4.6
Vibration	IEC 61169-1, Subclause 9.3.3
Shock	IEC 61169-1, Subclause 9.3.14
Moisture resistance	IEC 61169-1, Subclause 9.4.3
2002/95/EC (RoHS)	compliant

1. The temperature range over which the calibration standards maintain performance to their specifications.

Tooling

N/A

Suitable cables

N/A

Packing

Standard	1 pce in box
Weight	1.7 g/pce

While the information has been carefully compiled to the best of our knowledge, nothing is intended as representation or warranty on our part and no statement herein shall be construed as recommendation to infringe existing patents. In the effort to improve our products, we reserve the right to make changes judged to be necessary.

Draft	Date	Approved	Date	Rev.	Engineering change number	Name	Date
Herbert Babinger	15/12/05	Armin Maiwaelder	22/07/09	e00	09-0506	M. Knoll	22/07/09
Rosenberger Hochfrequenztechnik GmbH & Co. KG P.O.Box 1260 D-84526 Tittmoning Germany www.rosenberger.de					Tel.: +49 8684 18-0 Fax: +49 8684 18-499 email: info@rosenberger.de		Page 2 / 2