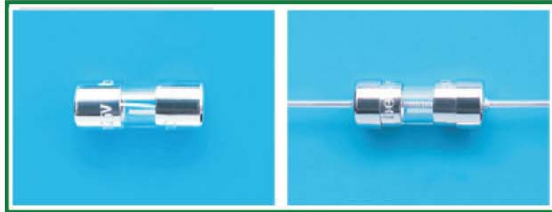


Type 2JQ / 3JQ Quick Acting Fuse Series

5 x 15mm Glass Tube
RoHS 6 Compliant

HF  2JQ / 3JQ Series, 5 x 15mm Quick Acting Fuse



Description

5x15 mm Quick Acting, glass tube body cartridge fuse designed, approved and complied with UL and CSA standard 248-14.

Electrical Characteristics (UL / CSA STD.248-14)

Testing current	Blow Time	
	Minimum	Maximum
100%	4 hrs	N/A
135%	N/A	1 hr
200%	N/A	1 sec

Features

- Meet UL and CSA standard 248-14
- Wide operating temperature range
- Bulk and Tape & Reel packing available
- RoHS6 compliant
- Halogen Free
- Leadfree

Applications

Provide individual protection for components or internal circuits.

- Power Supplies
- Battery charger
- Monitor
- Adapter

LEAD FREE = 

HALOGEN FREE = 

Safety Agency Approvals

SAFETY AGENCY	SAFETY AGENCY CERTIFICATE NUMBER	AMPERE RANGE / VOLT @ I.R.ABILITY
	E20624	100mA - 7A / 350V AC @100A 100mA - 7A / 140V DC @150A
	LR39772	100mA - 7A / 350V AC @100A
	JET 1037-31003-1010 JET 1037-31003-1011	1A - 5A / 125V AC @500A
	JET 1037-31003-1007	>5A - 15A / 125V AC @300A
		100mA - 7A / 350V AC @100A 100mA - 7A / 140V DC @150A

Specifications Subject to change without notice.

Type 2JQ / 3JQ Quick Acting Fuse Series

5 x 15 mm Glass Tube
RoHS 6 Compliant



JQ Apr2013D

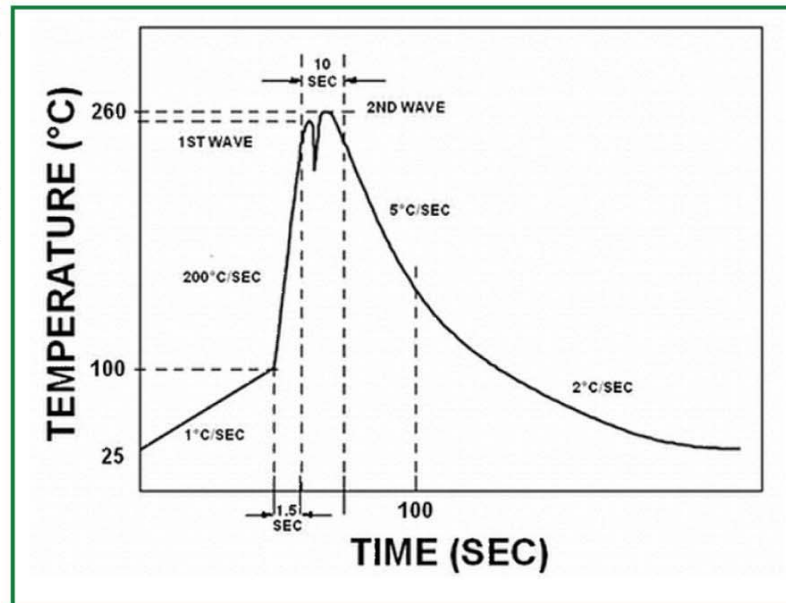
Electrical Specifications

Catalog Number	Ampere Rating	Typical Cold Resistance (ohm)	Volt-drop @ 100% In (Volt) Max.	Voltage Rating (V)	Interrupting Rating	Melting I ² T <10 m Sec (A ² Sec)	Melting I ² T @ 10 In (A ² Sec)	Maximum Power Dissipation (W)	Agency Approvals				
									UL US	SP	PS E	CE	
JQ 100-R	100mA	6.14	2.10	350	100mA - 7A / 350V AC @100A	0.00097	0.0010	0.029	Y	Y		Y	
JQ 125-R	125mA	4.29	2.05	350		0.0019	0.0020	0.035	Y	Y		Y	
JQ 150-R	150mA	3.35	1.90	350		0.004	0.004	0.041	Y	Y		Y	
JQ 200-R	200mA	2.01	1.70	350		0.007	0.008	0.048	Y	Y		Y	
JQ 250-R	250mA	1.54	1.62	350		0.014	0.015	0.057	Y	Y		Y	
JQ 300-R	300mA	1.18	1.44	350		0.026	0.029	0.067	Y	Y		Y	
JQ 350-R	350mA	0.98	1.50	350		0.036	0.040	0.072	Y	Y		Y	
JQ 400-R	400mA	0.46	0.60	350		0.05	0.06	0.079	Y	Y		Y	
JQ 500-R	500mA	0.33	0.55	350		0.10	0.11	0.092	Y	Y		Y	
JQ 600-R	600mA	0.26	0.48	350		0.14	0.16	0.10	Y	Y		Y	
JQ 750-R	750mA	0.188	0.45	350		0.26	0.30	0.12	Y	Y		Y	
JQ 800-R	800mA	0.170	0.40	350		0.27	0.27	0.17	Y	Y		Y	
JQ 1-R	1A	0.112	0.40	350		100mA - 7A / 140V DC @150A	0.62	0.65	0.21	Y	Y	Y	Y
JQ 1.25-R	1.25A	0.068	0.17	350			0.80	0.82	0.26	Y	Y	Y	Y
JQ 1.5-R	1.5A	0.056	0.16	350			1.4	1.4	0.32	Y	Y	Y	Y
JQ 1.6-R	1.6A	0.054	0.13	350			1.8	1.9	0.35	Y	Y	Y	Y
JQ 2-R	2A	0.041	0.16	350			2.3	2.5	0.39	Y	Y	Y	Y
JQ 2.5-R	2.5A	0.033	0.15	350			4.0	4.3	0.48	Y	Y	Y	Y
JQ 3-R	3A	0.027	0.15	350			4.6	5.6	0.59	Y	Y	Y	Y
JQ 3.5-R	3.5A	0.022	0.14	350			9	10	0.66	Y	Y	Y	Y
JQ 4-R	4A	0.019	0.14	350	12		13	0.73	Y	Y	Y	Y	
JQ 5-R	5A	0.015	0.13	350	20		23	0.9	Y	Y	Y	Y	
JQ 6-R	6A	0.012	0.13	350	35		40	1.1	Y	Y	Y	Y	
JQ 7-R	7A	0.010	0.12	350	46		53	1.2	Y	Y	Y	Y	

Consult manufacturer for other ratings

Soldering Parameters

Lead-free Wave Soldering Profile	
Wave Soldering Parameter	
Average ramp-up rate	200°C / second
Heating rate during preheat	Typical 1 - 2°C / second Max. 4°C / second
Final preheat temperature	within 125°C of soldering temperature
Peak temperature T _p	260°C
Time within +0°C / -5°C of actual peak temperature	10 seconds
Ramp-down rate	5°C / second max.



Type 2JQ / 3JQ Quick Acting Fuse Series

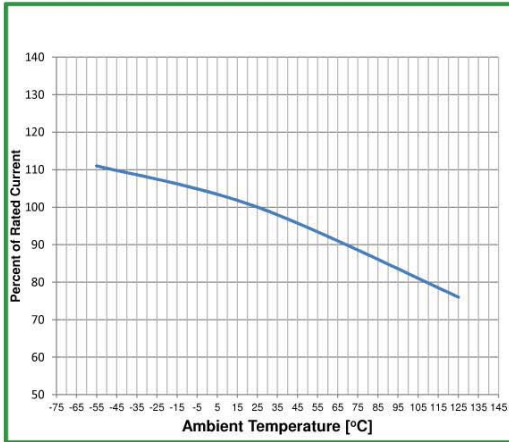
5 x 15 mm Glass Tube
RoHS 6 Compliant



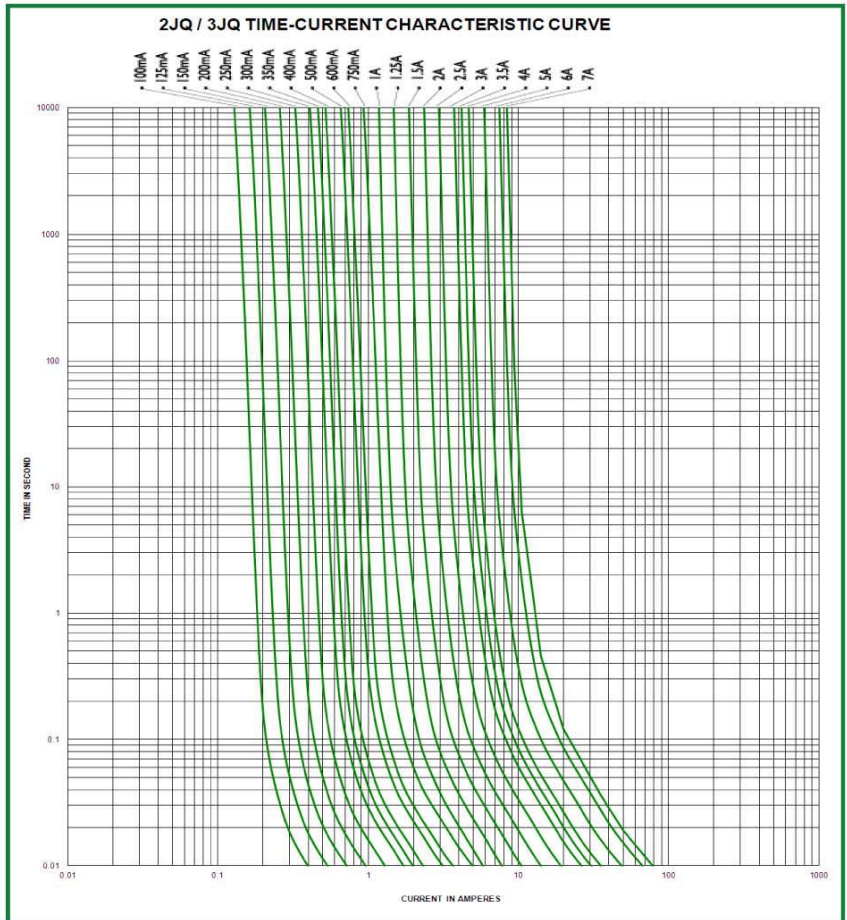
bel

JQ Apr2013C

Temperature Derating Curve



Average Time Current Curve



Environmental Specifications

Shock Resistance	MIL-STD-202G, Method 213B, Test Condition I (100 G's peak for 6 milliseconds; Sawtooth Waveform)
Vibration Resistance	MIL-STD-202G, Method 201A (10-55 Hz, 0.06 inch, total excursion).
Salt Spray Resistance	MIL-STD-202G, Method 101E, Test condition B (48 hrs).
Insulation Resistance	MIL-STD-202G, Method 302, Test Condition A (After Opening) 10,000 ohms minimum.
Solderability	MIL-STD-202G, Method 208H
Resistance to solder Heat	MIL-STD-202G Method 210F, Test Condition B. (260+/-5°C, 10+/- 1 sec)
Thermal Shock	MIL-STD-202G, Method 107G, Test Condition B (-65°C to +125°C).
Operating Temperature	-55°C to +125°C
Terminal Strength	IEC-68-2-21

Type 2JQ / 3JQ Quick Acting Fuse Series

5 x 15 mm Glass Tube
RoHS 6 Compliant



JQ Apr2013D

Physical Specifications

Materials	Body : Glass
	Cap : Nickel Plated Brass Caps
	Leads: Matte Tin Plated Copper
Marking	On Fuse:
	"bel" , "JQ" , " Current Rating" ,"Voltage Rating" ,
	"Appropriate Safety Logos" , " ✓ " (RoHS 6 compliant)
	On label:
	"bel" , "2JQ" , or "3JQ" ,"Current Rating" ,"Voltage Rating" ,"Interrupting Rating" , "Appropriate Safety Logos" and " M " , " G " (China RoHS compliant).

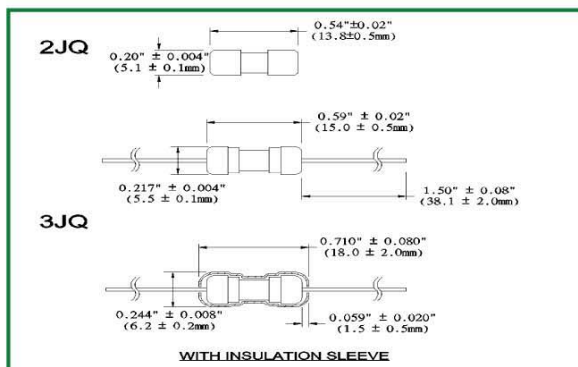
Fuse FGNO Explanation

06XX-XXXXX-XX, [XXXXX]=Ampere Rating

Fraction	Decimal	Milliamps	Bel FGNO(XXXX)
1/32	0.032	32	0032
1/25	.040	40	0040
1/20	.050	50	0050
1/16	.063	63	0063
8/100	.080	80	0080
1/10	.100	100	0100
1/8	.125	125	0125
15/100	.150	150	0150
	.160	160	0160
2/10	.200	200	0200
1/4	.250	250	0250
3/10	.300	300	0300
	.315	315	0315
3/8	.375	375	0375
4/10	.400	400	0400
1/2	.500	500	0500
6/10	.600	600	0600
	.630	630	0630
7/10	.700	700	0700
3/4	.750	750	0750
8/10	.800	800	0800

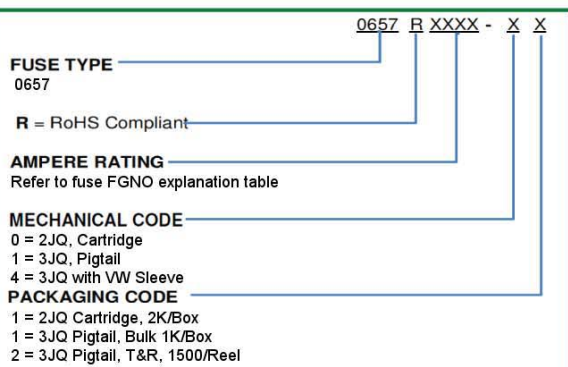
Fraction	Decimal	Amps	Bel FGNO(XXXX)
	1.0	1	1000
1-1/4	1.25	1.25	1250
1-1/2	1.50	1.5	1500
	1.60	1.6	1600
	2.0	2	2000
2-1/4	2.25	2.25	2250
2-1/2	2.5	2.5	2500
	3.0	3	3000
	3.15	3.15	3150
3-1/2	3.5	3.5	3500
	4.0	4	4000
	5.0	5	5000
	6.0	6	6000
	6.3	6.3	6300
	7.0	7	7000
7-1/2	7.5	7.5	7500
	8.0	8	8000
		10	9100
		12	9120
		15	9150
		20	9200
		25	9250
		30	9300

Mechanical Dimensions



* Diameter lead 0.032" for all ratings

Ordering Information



Specifications subject to change without notice

Packaging

Packaging Option	Packaging Specification	Quantity	Packaging Code	Inside Tape Spacing
Bulk (bag)	N/A	2000	01	N/A
Bulk (Pigtail Type)	N/A	1000	11	N/A
Bulk (Pigtail Type) with Insulation Sleeve	N/A	1000	41	N/A
Tape & Reel, 10 mm Pitch	EIA-296-F	1500	12	53
Tape & Reel with Insulation Sleeve, 10 mm Pitch	EIA-296-F	1500	42	53

CORPORATE OFFICE

Bel Fuse Inc.
206 Van Vorst Street
Jersey City, NJ 07302
Tel 201-432-0463
Fax 201-432-9542
E-Mail: belfuse@belf.com
Website: www.belfuse.com

FAR EAST OFFICE

Bel Fuse Ltd.
8/F Luk Hop Industrial Building
8 Luk Hop Street
San Po Kong
Kowloon, Hong Kong
Tel 852-2328-5515
Fax 852-2352-3706

EUROPE OFFICE

Bel Fuse Europe Ltd.
Preston Technology Management Centre
Marsh Lane, Suite F15
Preston, Lancashire, PR1 8UQ
United Kingdom
Tel 44-1772-556601
Fax 44-1772-561008

EUROPE

Bel Stewart GmbH
Industriestrasse 20
61381 Friedrichsdorf
Germany
Tel 49-6172-9552-0
Fax 49-6172-9552-40