

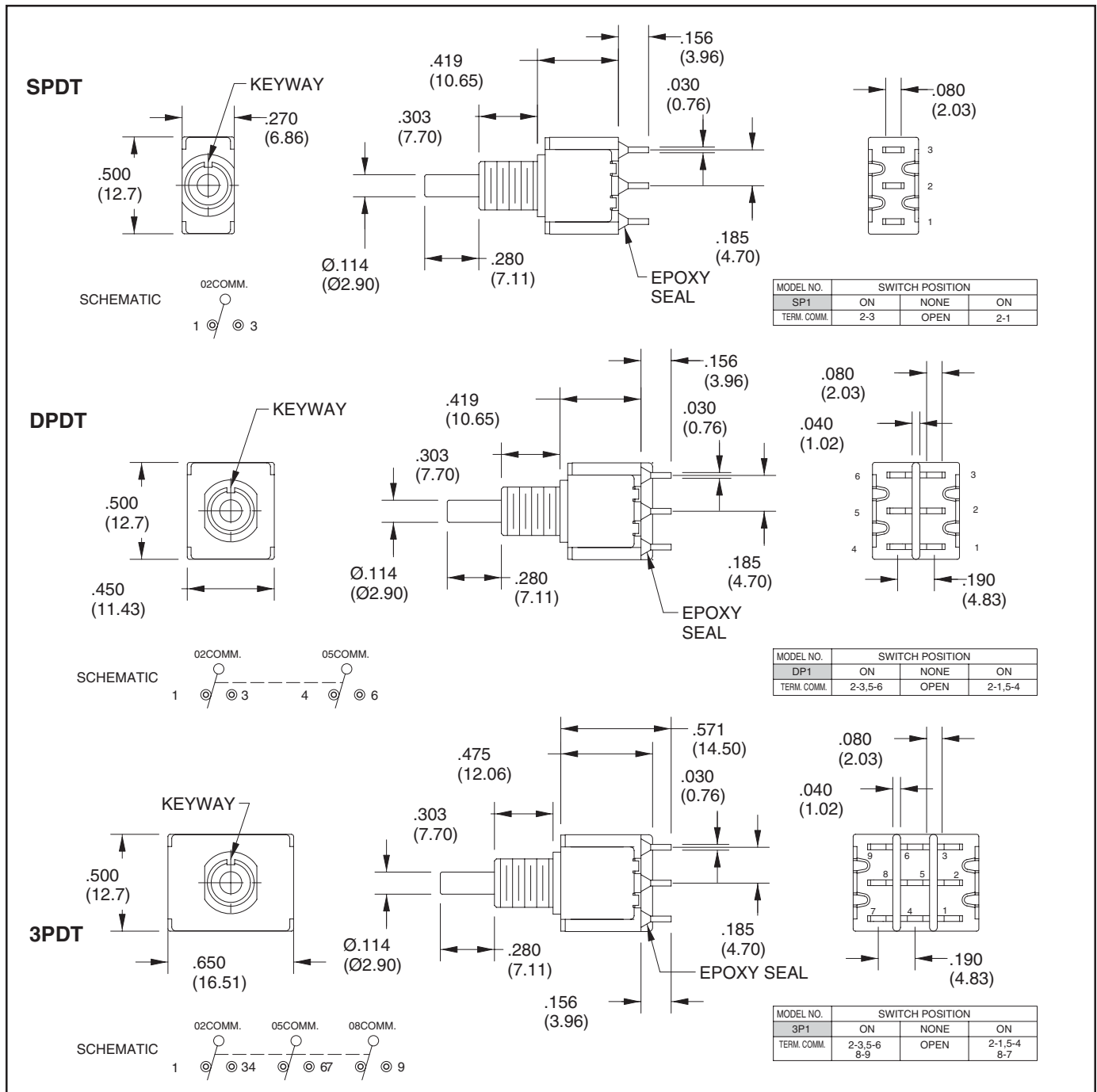
SERIES 38D
Alternate Action
Pushbutton Switches

FEATURES

- SPDT, DPDT, 3PDT, 4PDT Circuitry
- Choice of Plunger Length, Bushings, and Terminations
- UL Recognized

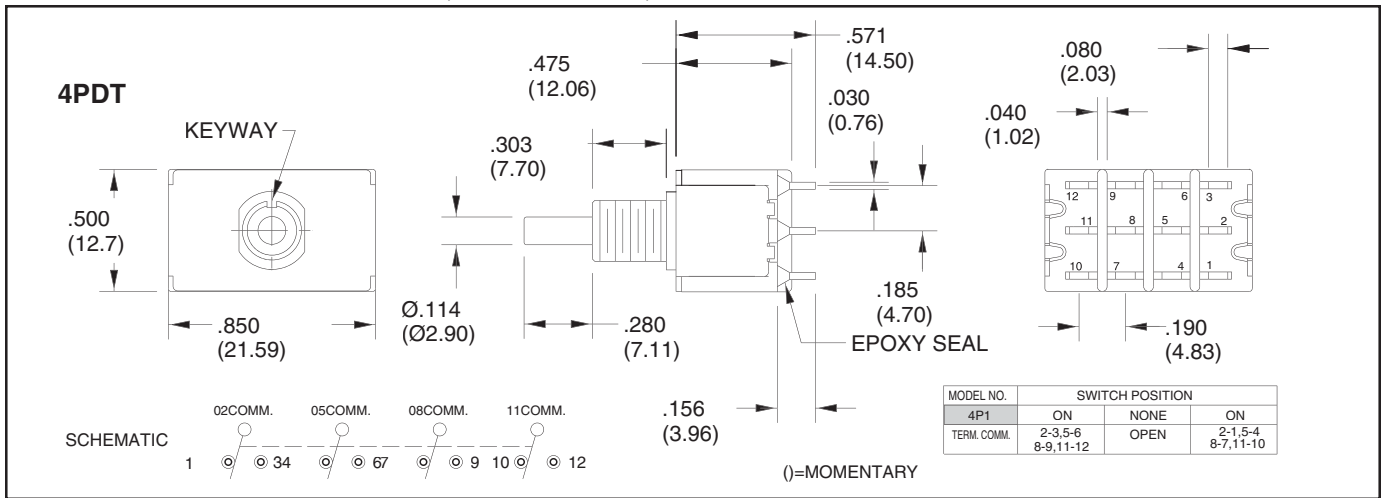


MODELS IN INCHES (AND MILLIMETERS)

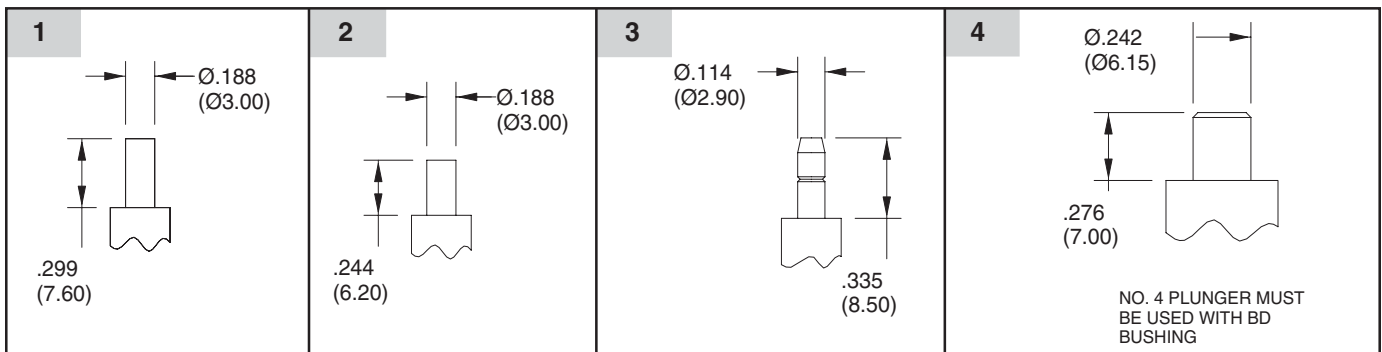


Pushbutton Switches

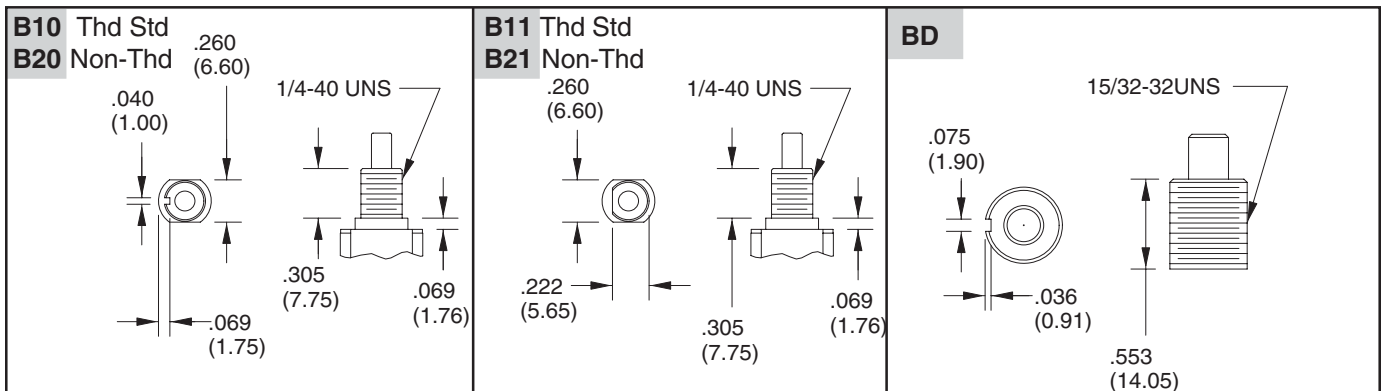
TERMINATION OPTIONS IN INCHES (AND MILLIMETERS)



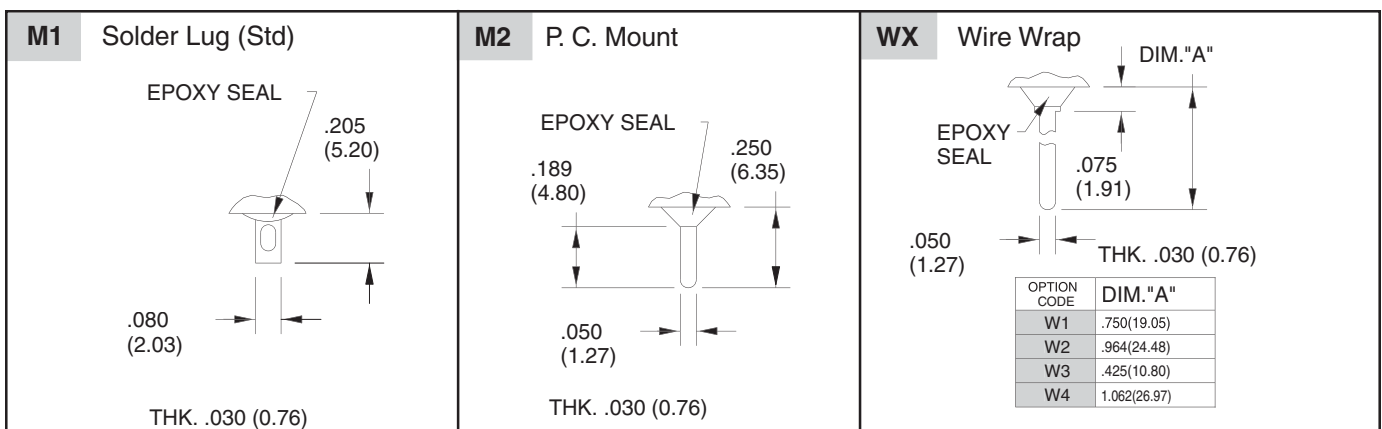
PLUNGER OPTIONS IN INCHES (AND MILLIMETERS)



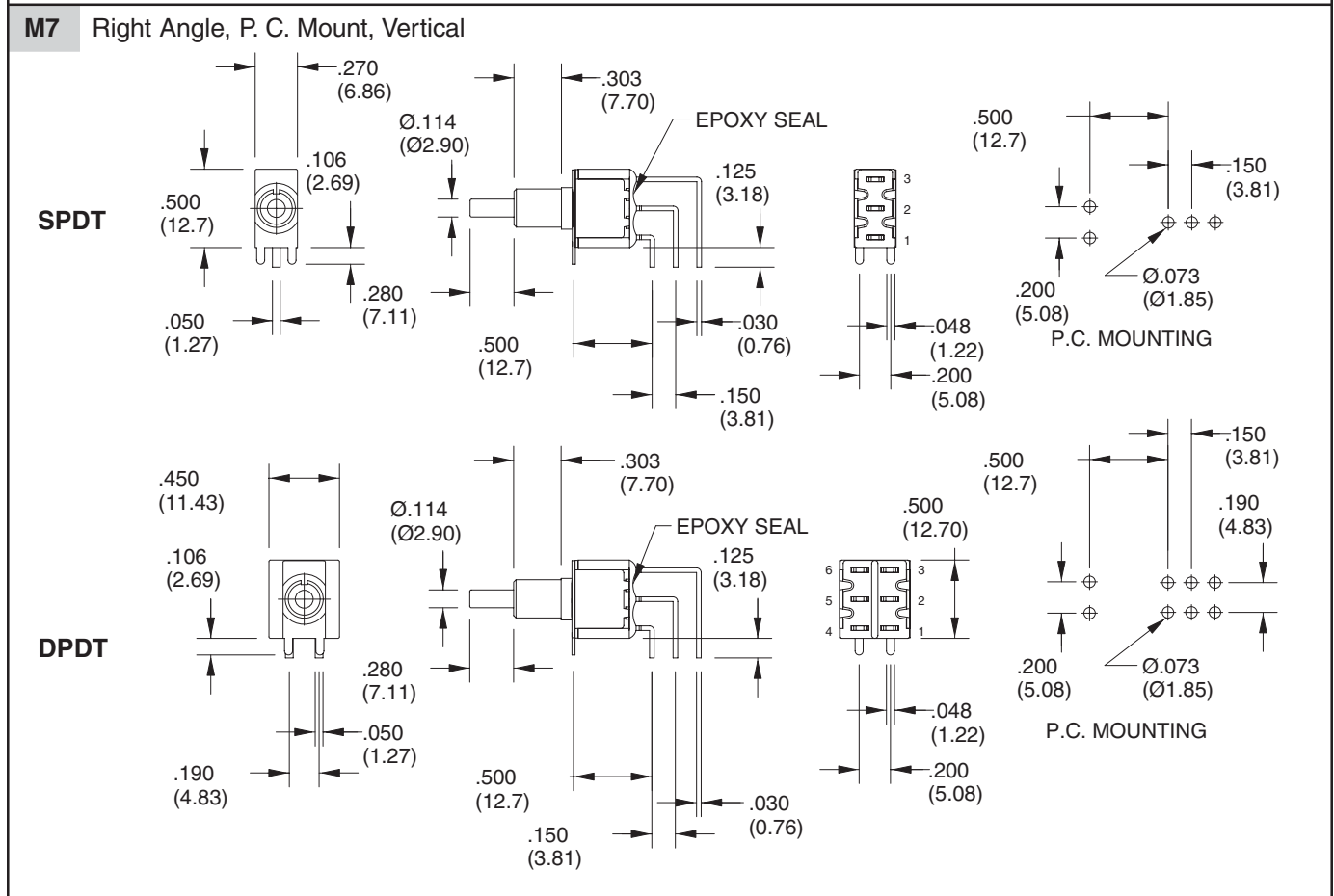
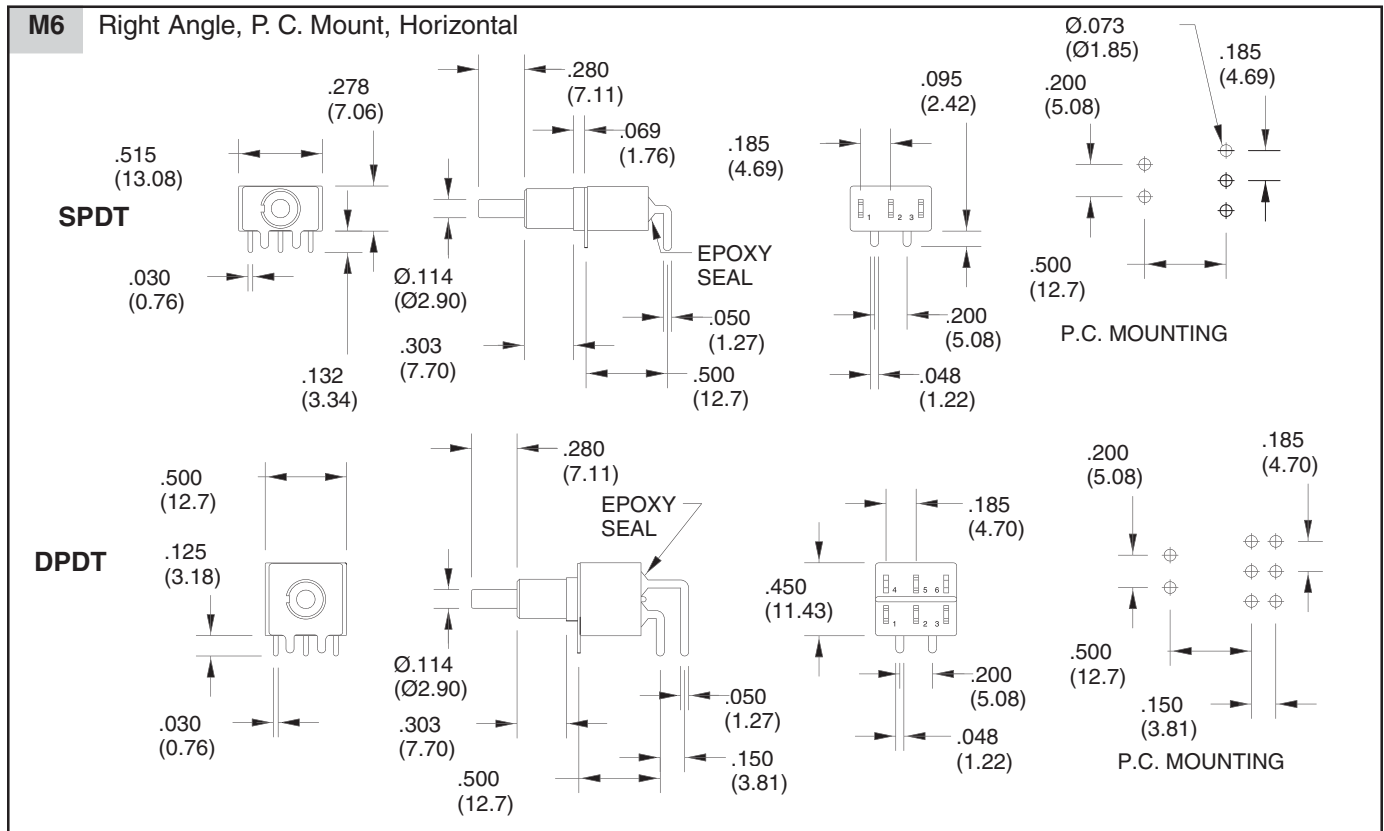
BUSHING OPTIONS IN INCHES (AND MILLIMETERS)



TERMINATION OPTIONS IN INCHES (AND MILLIMETERS)

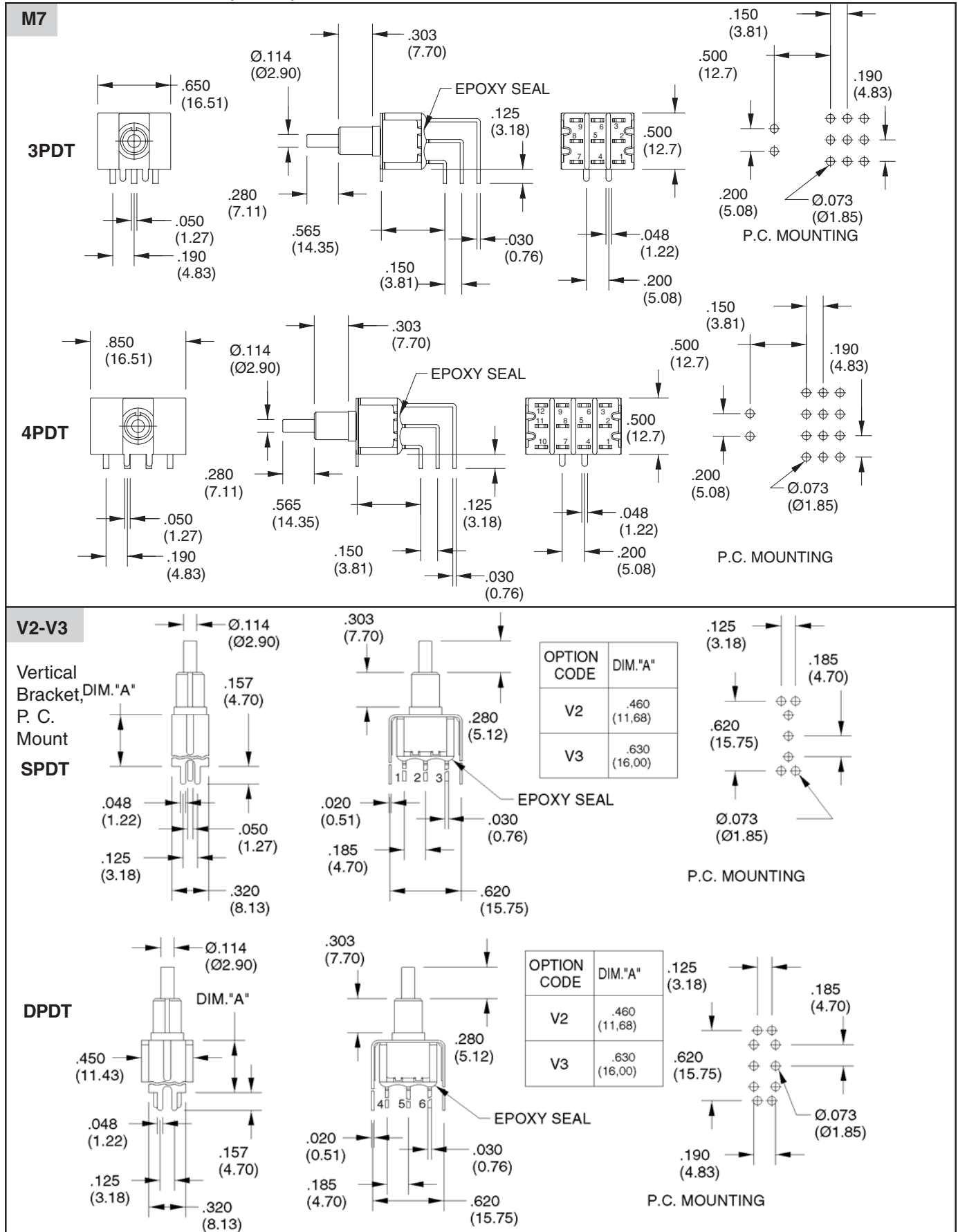


TERMINATION OPTIONS (CONT.) IN INCHES (AND MILLIMETERS)

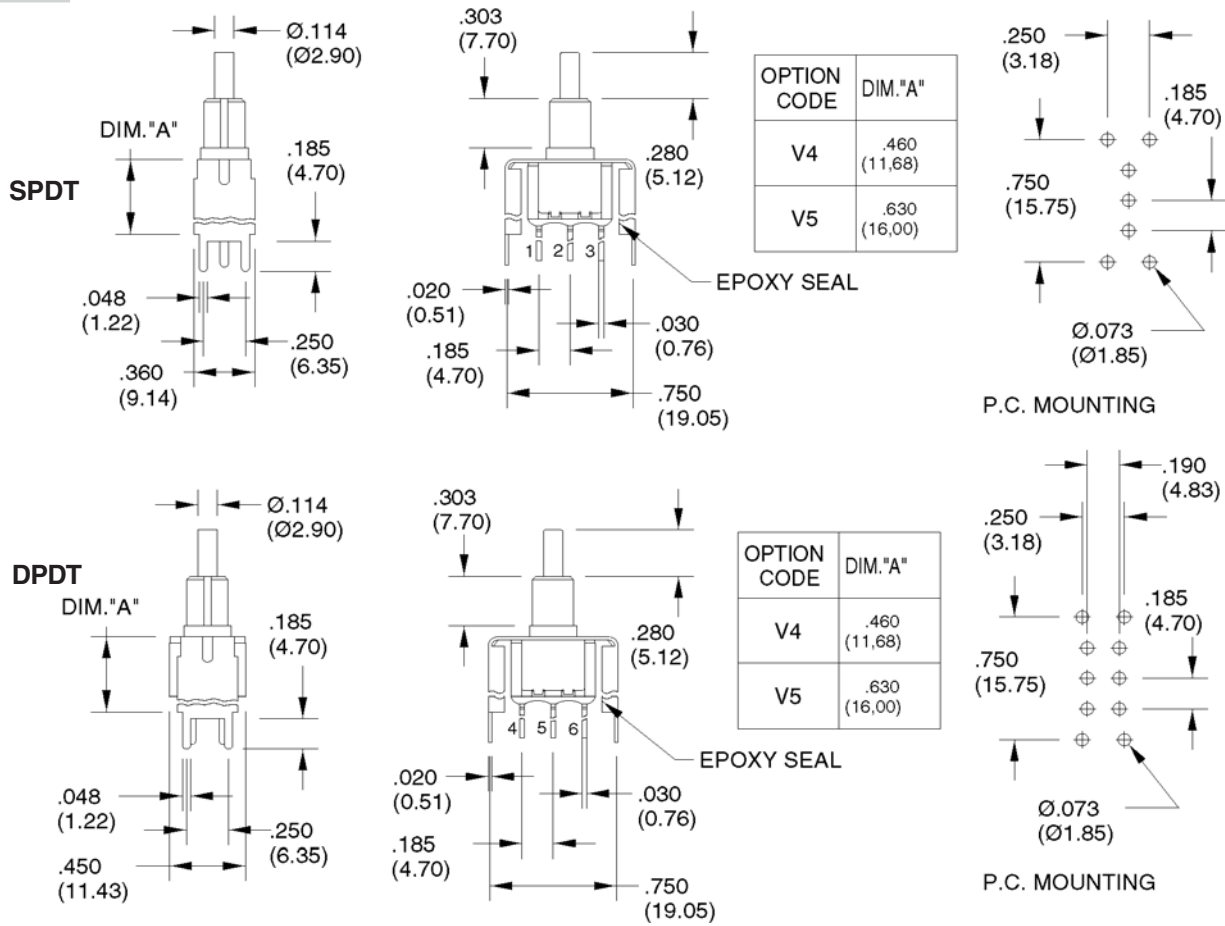


Pushbutton Switches

TERMINATION OPTIONS (CONT.) IN INCHES (AND MILLIMETERS)



V4-V5 Vertical Bracket, P. C. Mount



Pushbutton Switches

SPECIFICATIONS

RATINGS

Contact Rating: Q & G option - 6A @ 125 VAC or 28 VDC or 28 VDC; 3A @ 250 VAC. R option - 0.4 VA max @ 20 Vmax (AC or DC)
Electrical Life: 50,000 make-and-break cycles at full load

Contact Resistance: 10 milliohms max. initial @ 2-4 VDC, 100 mA
Insulation Resistance: 1,000 megaohms minimum
Dielectric Strength: 1,500 V RMS @ sea level
Operating Temperature: -30°C to 85°C

MATERIALS

Case: Diallyl phthalate (DAP) (UL94V-0)
Plunger: Glass filled nylon or glass filled polyester
Bushing: Zinc, nickel plated
Housing: Stainless steel
Terminal Seal: Epoxy

ORDERING INFORMATION

SERIES	MODEL NO.	PLUNGER	BUSHING	TERMINATION	CONTACT	SEAL
38D	SP1	1	B10	M1	Q	T
38D = Alternate Action Pushbutton Switches	Options: SP1, DP1, 3P1, 4P1 (see models for switching positions)	Options: 1, 2, 3, 4 (see plunger options)	Options: B10, B11, B20, B21, BD (see bushing options)	Options: M1, M2, M6, M7, S2, S6 V2, V3, V4, V5, W1, W2, W3, W4 (see termination options)	R = Copper alloy, gold plate over nickel plate. Q = Copper alloy, silver plated G=Gold plate over silver plate	T = Lead Free and RoHS Compliant