





100BASE-VG MAGNETICS MODULES

Designed for 100 Mbps Quartet
Transmission Over UTP-3 Cable



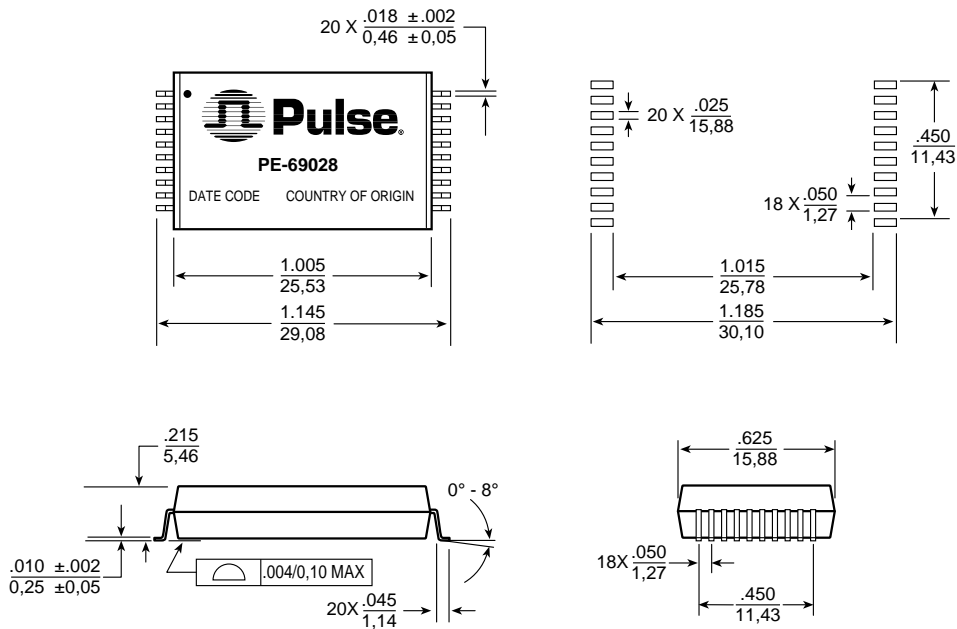
-  Designed to meet IEEE 802.12 specifications
-  Designed to withstand infrared and vapor phase soldering
-  Pick and Place compatible
-  Surface mount packages

Electrical Specifications @ 25°C — Operating Temperature 0°C to 70°C

Part Number	Insertion Loss (dB MIN)					Return Loss (dB MIN)	Common Mode Rejection (dB MIN)	Crosstalk (dB MIN)	Voltage Isolation (Vrms MIN)
	15 MHz (MAX)	20 MHz	30 MHz	40 MHz	50 MHz				
PE-69028	-3.6	-3.2	-16	-27	-37	-20	-30	30	1.6 kV
78Z9011SM	-3	-5	-20	-32	-42	-21	-30	30	2 kV

Mechanical

PE-69028



Weight 2.8 grams
Tape & Reel250/reel
Tube30/tube

Dimensions: $\frac{\text{Inches}}{\text{mm}}$
Unless otherwise specified, all tolerances are $\pm \frac{.005}{0.13}$

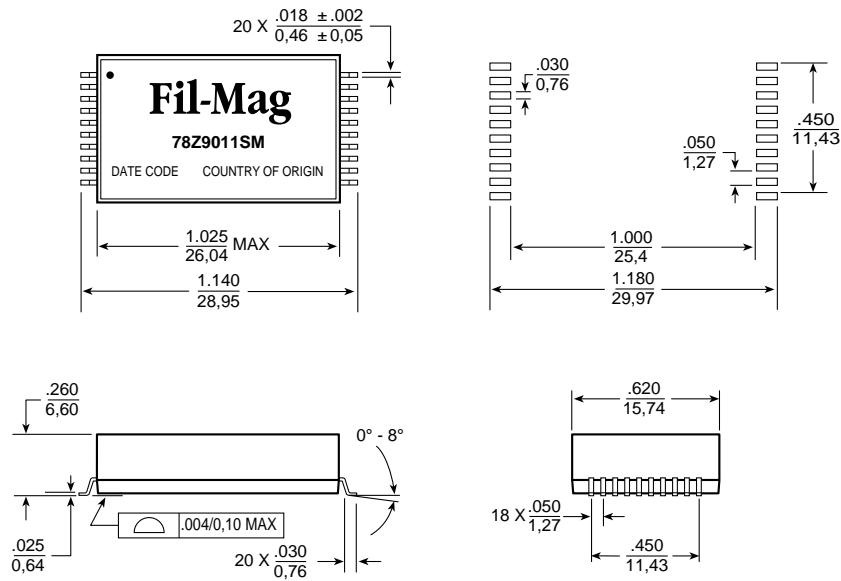
100BASE-VG MAGNETICS MODULES

Designed for 100 Mbps Quartet
Transmission Over UTP-3 Cable



Mechanical

78Z9011SM

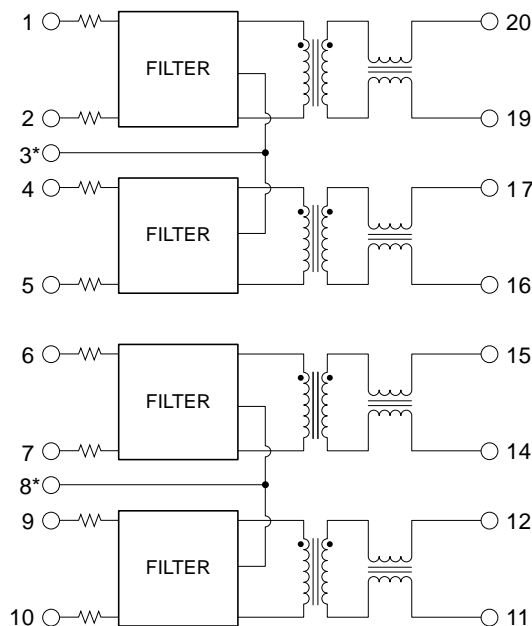


Weight 5.8 grams
 Tape & Reel250/reel
 Tube35/tube

Dimensions: $\frac{\text{Inches}}{\text{mm}}$
 Unless otherwise specified, all tolerances are $\pm \frac{.005}{0,13}$

Schematic

PE-69028, 78Z9011SM



***Note:** Attach pins 3 and 8 to ground for improved common mode performance.

100BASE-VG MAGNETICS MODULES

Designed for 100 Mbps Quartet Transmission Over UTP-3 Cable



Application

The PE-69028 and the 78Z9011SM filter/magnetics modules are designed specifically for implementation of 100BASE-VG data link over voice grade unshielded twisted pair cable (UTP-3). The modules provide excellent EMI filtering and are targeted for adapter card and HUB applications. In designing these parts, Pulse has worked closely with members of the IEEE 802.12 committee to develop an analog interface that provides isolation and filtering for a 100Base-VG media interface. The modules have duplex transmit or receive channels for quartet signaling.

Each pair communicates at 25 Mbps. The insertion loss graph on the next page shows that the cut-off frequency is close to a 10Base-T filter. This makes the modules ideal for the hybrid of 10Base-T/100Base-VG HUBs.

The transformers used in the modules provide high voltage isolation, wide band width, fast rise times and minimal baseline wander. Each channel includes a low pass filter which reduces overshoot and ringing on the transmitted waveform and decreases susceptibility to noise picked up by the cable. The filter and magnetic characteristics are also suitable for 10 Mbps transmission,

which allows the module to be shared for 10 Mb/100 Mb ports. The low pass filter corner frequency has been optimized to provide low insertion loss and uniform group delay in the pass band, while providing monotonic, high attenuation in the stop band. The parts provide over 15 dB of attenuation at 30 MHz to filter signal harmonics and reduce EMI.

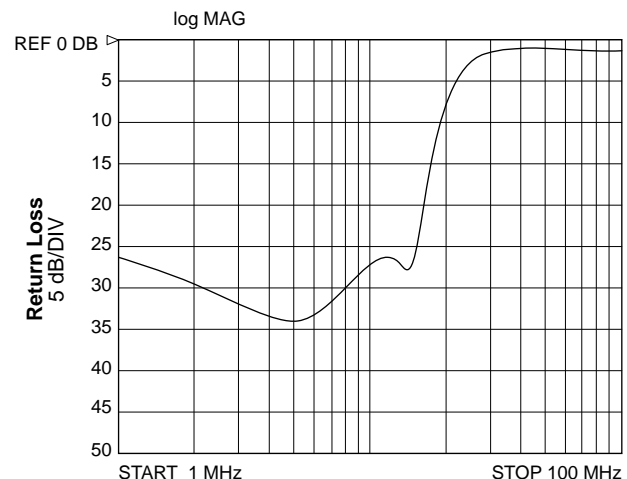
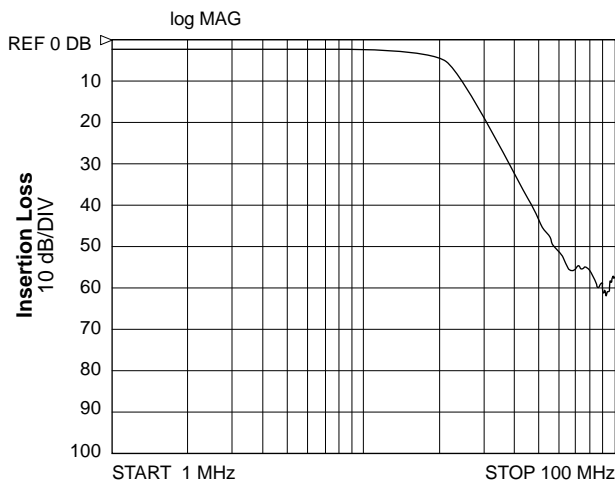
EMI is also controlled with exceptional common mode filtering. When the module is receiving a signal, the filter removes impulse and random noise that may be introduced by the transmission medium.

The modules replace 48 discrete components. The small form factor benefits the users by allowing shorter signal interconnect lines and assuring good high frequency performance. Transfer molded packaging provides protection against extreme environments.

Pins 3 and 8 should have a 0.1 μ F capacitor tied to ground to help reduce unwanted EMI and improve the common mode performance.

Typical Electrical Performance

PE-69028



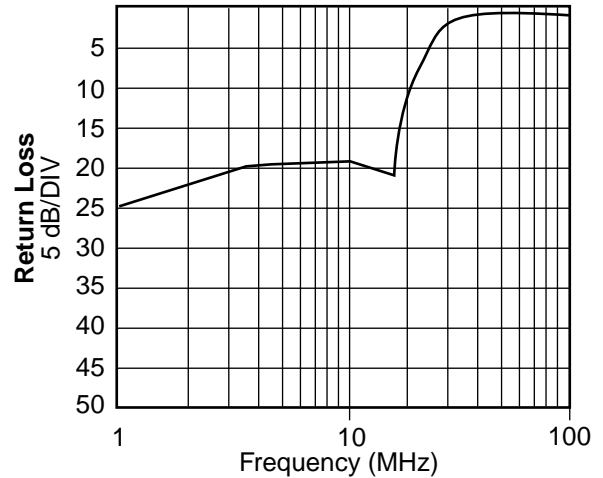
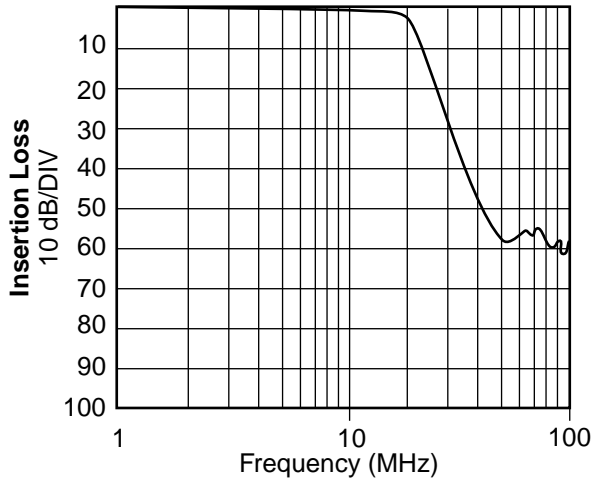
100BASE-VG MAGNETICS MODULES

Designed for 100 Mbps Quartet
Transmission Over UTP-3 Cable



Typical Electrical Performance

78Z9011SM



For More Information :

Corporate

12220 World Trade Drive
San Diego, CA 92128
Tel: 619 674 8100
FAX: 619 674 8262
<http://www.pulseeng.com>
Quick-Facts: 619 674 9672

Europe

Dunmore Road
Tuam
County Galway
Ireland
Tel: 353 93 24107
FAX: 353 93 24459

Asia

Block 3027
Ubi Road 1
#03-120
Singapore 408720
Tel: 65 741 5277
FAX: 65 741 3013

Distributor

Performance warranty of products offered on this data sheet is limited to the parameters specified. Data is subject to change without notice.

♻️ Printed on recycled paper. ©1996, Pulse Engineering, Inc.

H302.A (8/96)