

SPECIFICATIONS

Header Connector

Mechanical

Contact Retention Force: 0.68Kgf min. Per Pin

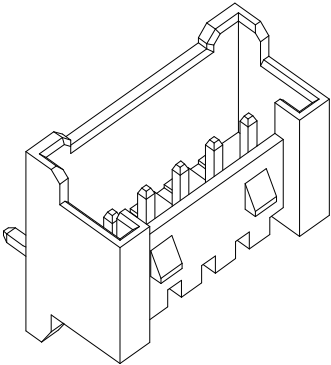
HD52 Series
Header, T/H Type
Plug
2.50mm [.098"] Pitch

Electrical

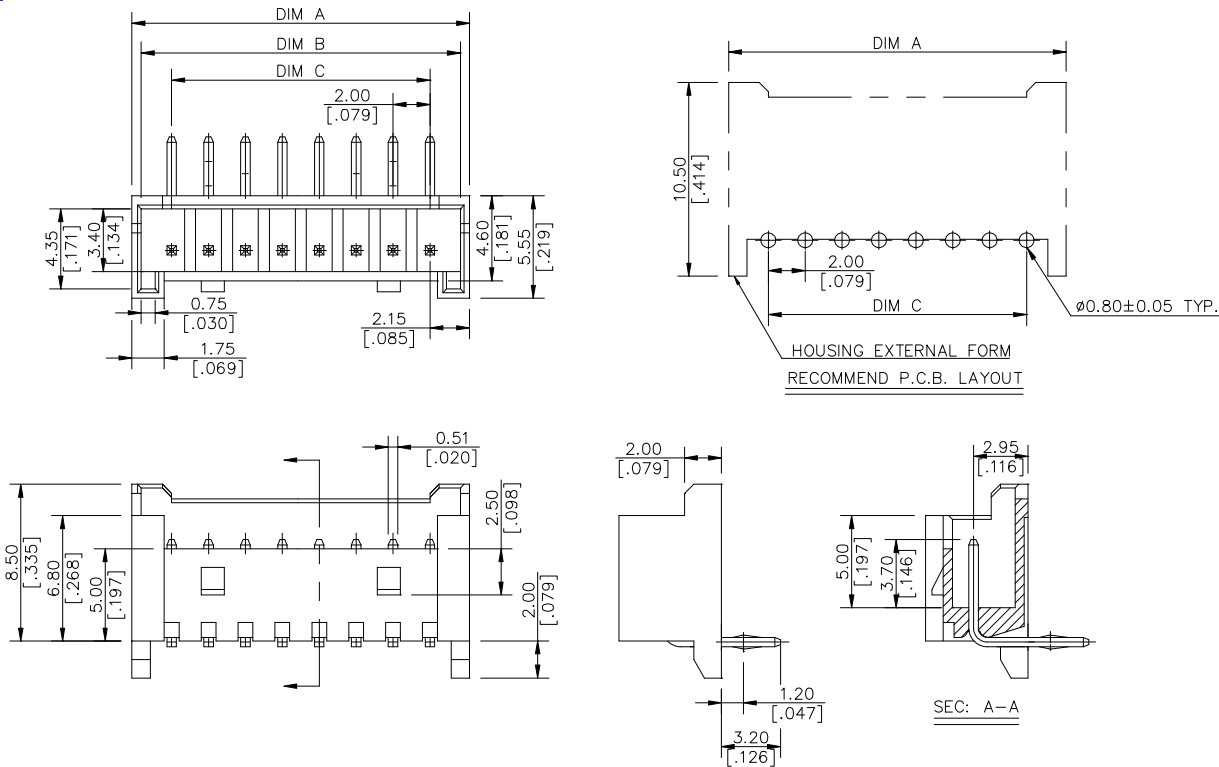
Current Rating: 2.0A max. per pin
 Dielectric Withstanding Voltage: 500V AC
 Insulation Resistance: 1000MΩ min.

Physical

Housing: PA6T, UL 94V-0
 Contact: BRASS
 Plating: See "ODERING INFORMATION"
 Operating Temperature: -40°C to +105°C



DRAWING



ORDERING INFORMATION

HD5***

H: HEADER CONN.
 D: POLARIZING WALL
 5: TERMINATION & CONTACT TYPE
 *: PLATING CODE
 **: NO. OF POS.
 *: PLATING CODE

E = 100u" MIN. TIN OVER
 NICKEL WITH RoHS COMPLIANCE PLATING

51 = VERTICAL TYPE
 52 = R/A TYPE

02 = 2 POS.
 03 = 3 POS.
 . . .
 . . .

HD5210*-*	22.30	21.30	18.00
HD5209*-*	20.30	19.30	16.00
HD5208*-*	18.30	17.30	14.00
HD5206*-*	14.30	13.30	10.00
HD5205*-*	12.30	11.30	8.00
HD5204*-*	10.30	9.30	6.00
PART NO.	DIM. A	DIM. B	DIM. C

All specification & dimensions are subject to change, please call your nearest Foxconn sales representative for update information.