

GBU6B Thru GBU6M

High Current Glass Passivated Molding Single-Phase Bridge Rectifier

Reverse Voltage 100 to 1000V Forward Current 6A

FEATURES

- Plastic Package has Underwriters Laboratory Flammability Classification 94V-0
- High current capacity with small package
- Glass passivated chip junctions
- Superior thermal conductivity
- High IFSM



1. Maximum & Thermal Characteristics Ratings at 25 °C ambient temperature unless otherwise specified.

| Parameter Symbol | Symbol | GBU6B | GBU6D | GBU6G | GBU6J | GBU6K | GBU6M | Unit |
|---|------------------|--|-------|-------|-------|-------|-------|--------------------|
| Maximum repetitive voltage | VRRM | 100 | 200 | 400 | 600 | 800 | 1000 | V |
| Maximum RMS Voltage | VRMS | 70 | 140 | 280 | 420 | 560 | 700 | V |
| Maximum DC Blocking Voltage | VDC | 100 | 200 | 400 | 600 | 800 | 1000 | V |
| Maximum DC reverse current TA=25 | IR | 5 | | | | | | μA |
| at rated DC blocking voltage TA=125 | | 500 | | | | | | |
| Maximum average forward rectified output current at Tc=100 | Io | 6 | | | | | | A |
| Peak forward surge current 8.3ms single half sine-wave superimposed on rated load | IFSM | 175 | | | | | | A |
| Rating of fusing (t<8.3ms) | I ² t | 127 | | | | | | A ² sec |
| Dielectric strength terminals to case , AC 1 minute Current 1mA | Vdia | 2.5 | | | | | | KV |
| Max instantaneous forward voltage at 3.0A | VF | 1.05 | | | | | | V |
| Maximum thermal on P.C.B. without heat-sink | RθJA | MAX22 | | | | | | /W |
| resistance per leg on Al plate heat-sink | RθJC | MAX3.0 | | | | | | |
| Operating junction temperature | TJ | -55~150 | | | | | | |
| Storage temperature | Tstg | -55~150 | | | | | | |
| Mounting torque | Tor | Rating Torque : 0.8 (Suggests 0.45~0.65) | | | | | | N.m |

GBU6B Thru GBU6M

2. Ratings and Characteristic Curves (TA = 25°C unless otherwise noted)

Fig. 1 Derating Curve

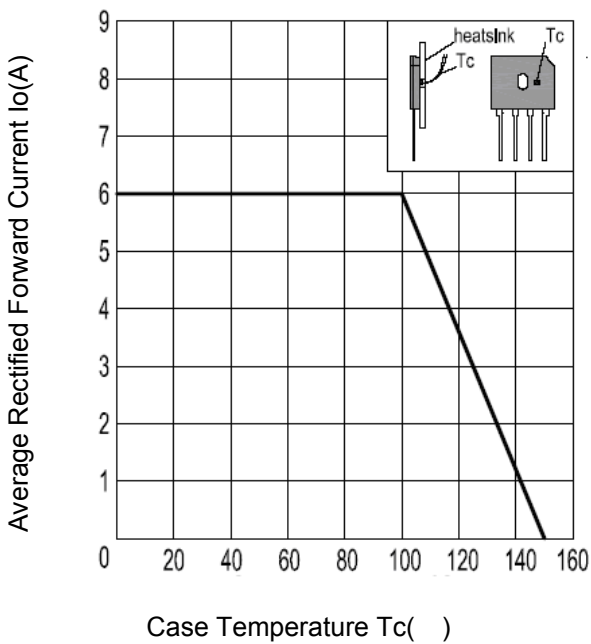


Fig.2 Typical Reverse Characteristics

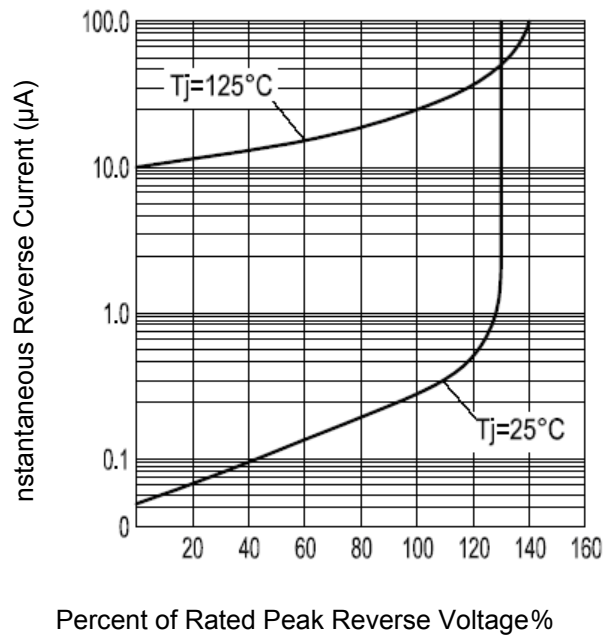


Fig.3 Forward Voltage

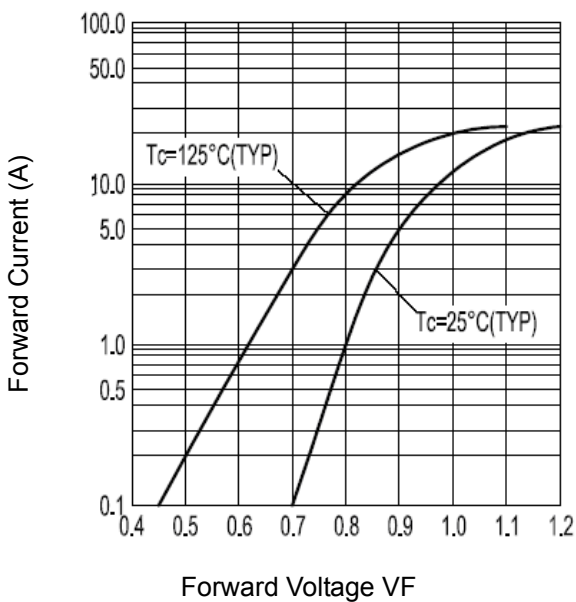
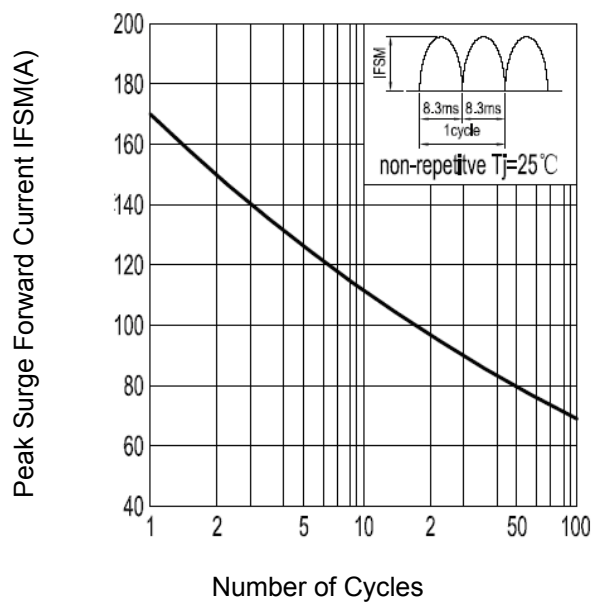
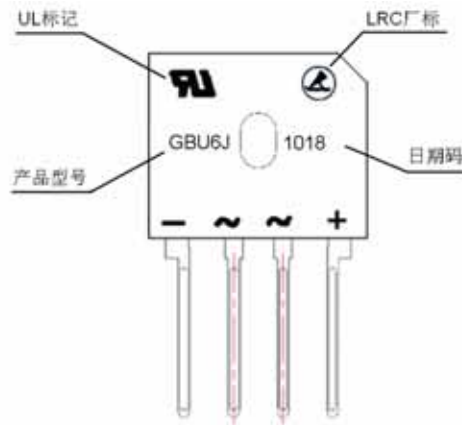


Fig.4 Peak Surge Forward Capability



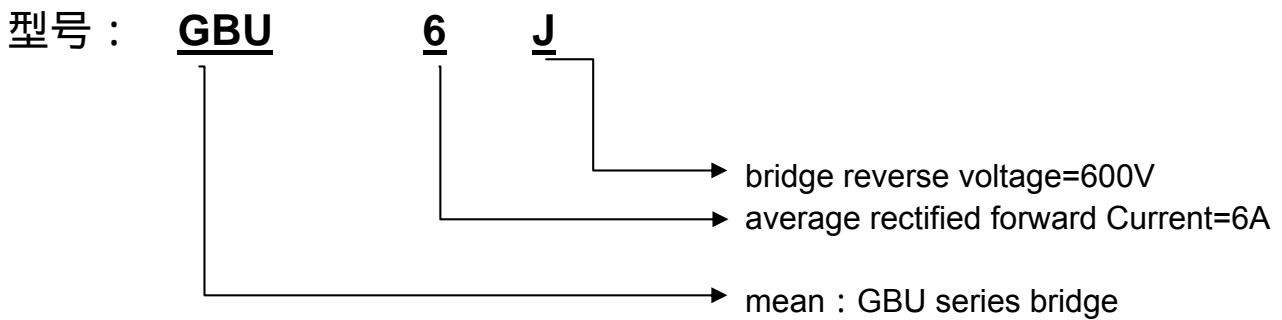
GBU6B Thru GBU6M

3. Marking Identification



Note :

生产日期码包含4位数字，例如“1018”，前两个数字“10”表示为2010年，另外二个数字“18”是指第18周，即表示该产品为2010年18周生产。



4. Dimension

