

ITA-1910

Intel® Atom™ D525 DC Wide Range Compact System with Dual GigaLAN, 16 COM ports and Multi-Display

NEW



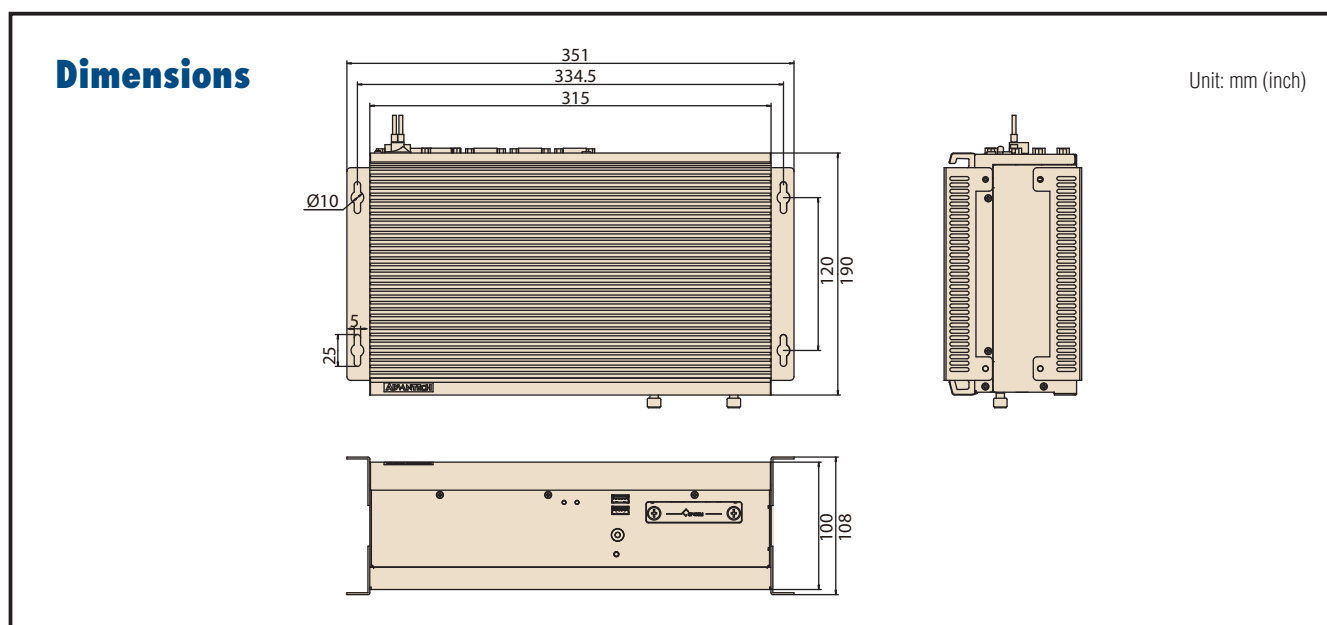
Features

- Fanless, Intel® Atom™ D525, 1.8 GHz Dual Core Compact System
- Supports 9 ~ 36 V wide range DC input
- Supports up to 2 x GbE, 8 x USB 2.0, 16 x COM ports
- Serial ports support RS-232/422/485 with automatic flow control
- Multi-Display
- Supports up to 24 Channel 24/48 bits Digital I/O
- Onboard DDR3 memory up to 2GB and optional NVRAM
- Front-accessible Easy Swap CF/DOM Module

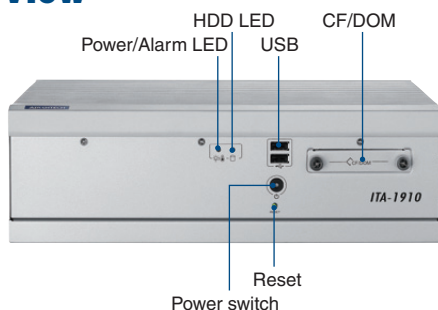


Specifications

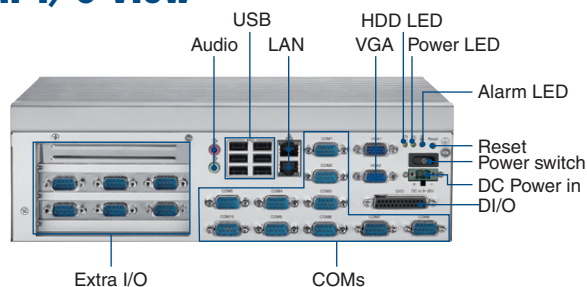
Processor System	CPU	Intel® Atom™ Dual Core D525	
	Max Speed	1.8 GHz	
	L2 Cache	512 KB	
	Chipset	Intel ICH8-M	
	BIOS	AMI SPI 16 Mb	
Memory	Technology	Single channel DDR3 800	
	Max. Capacity	Onboard 1 GB (max up to 2 GB)	
Graphics	Chipset	Embedded Gen3.5+ GFX Core, Frequency 400 MHz	
	VRAM	Shared system memory up to 256 MB SDRAM	
	Multi display	2 x VGA or VGA + LVDS (Optional)	
		Single Channel Max: 2048 x 1536 @ 60Hz Dual Channel Max: 1366 x 768 @ 60Hz	
LVDS	Support 18-bit single channel up to 1366 x 768 @ 60Hz (Optional)		
Extension Graphics (Optional)	Chipset	SMI SM750 GPU	
	VRAM	On chip 16MB	
	Multi display	2 x VGA	
	Max Resolution	Up to 1920 x 1440 @ 60Hz	
Ethernet	Interface	10/100/1000 Mbps	
	Controller	2 x Intel 82583V	
	Connector	2 x RJ-45	
Storage	NVRAM	1 Mb FRAM (Optional)	
	Internal	1 x CompactFlash socket for Type I/II CompactFlash disk Support 2.5" HDD (Optional)	
	External	1 x Easy Swap SATA DOM CompactFlash Module	
I/O Interface	VGA	2	
	LAN	2	
	USB	8	
	Serial	16 x RS-232/422/485 Serial ports with automatic flow control	
	Digital I/O	12-ch GPI, 12-ch GPO (Option another 12-ch GPI, 12-ch GPO)	
	Audio	2 (Speaker out with 3W amplifier, Mic in)	
Expansion Slots	PCI 32-bit	1	
	PCIe x 1	2 (w/o 6 COM I/O Card)	
	Mini PCIe	1	
Power	Input Voltage	DC 9V ~ 36V	
Watchdog Timer	Output	System reset	
	Interval	Programmable 1~255 sec/min	
Environment	Temperature	Operating (Without HDD)	Operating (With HDD)
		-25 ~ 60° C	0 ~ 40° C
Physical Characteristics	Dimensions (W x H x D)	Non-Operating	
		-40 ~ 85° C	



Front View



Rear I/O View



Ordering Information

Part No.	CPU	On Board Memory (DDR3 800 MHz)	COM (RS-232/422/485)	DI/O
ITA-1910-00A1E	D525 1.8 GHz	1G	16	24-bit
ITA-1910-01A1E	D525 1.8 GHz	2G	16	24-bit

Packing List

Part No.	Description	Quantity
2002191000	Startup manual	1
2062171000	Utility CD	1
1700019558	CF Cable 35cm	1
1960052263N001	Mounting Bracket	2
1960055919N001	DOM Bracket	1
1652002205	Plug-in Block 2P	1
1990006571S000	Rubber Pad	4
9662191000E	Accessory Box Of HDD Bracket	1

Optional Accessories

Part No.	Description
PCA-5650-00A1E	2 VGA output Mini PCI Express Graphic card
1757003659	ADAPTER AC to DC 100-240V/19V 65W 3.42A
1700001947	Power Cable 2P 7A 125V 1.8M(USA)
1700001948	Power Cable 2P 2.5A 250V 1.8M(Europe)
1700001949	Power Cable 2P 2.5A/3A 250V 1.8M(UK)
1700019591	COM Cable 10cm
1700019592	DIO Cable 15cm
1700002223	Parallel Cable 32cm