

*Advance Information*  
**Dual Clock 4M Late Write HSTL**  
**256K x 18 or 128K x 36 Synchronous Memory**

The MCM69R739A/821A is a 4 megabit synchronous late write fast static RAM designed to provide high performance in secondary cache, ATM switch, Telecom, and other high speed memory applications. The MCM69R821A organized as 256K words by 18 bits, and the MCM69R739A organized as 128K words by 36 bits wide.

The differential K and C clock inputs control the timing of read/write operations of the RAM. At the rising edge of the K clock all addresses, write enables, and synchronous selects are registered. An internal buffer and special logic enable the memory to accept write data on the rising edge of the K clock a cycle after address and control signals. The outputs are enabled on the rising edge of the C clock which operates at the same frequency as the K clock; but shifted in time.

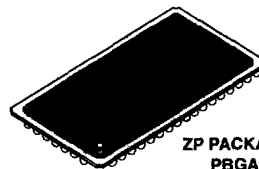
The RAM uses HSTL inputs and outputs. The adjustable input trip-point ( $V_{ref}$ ) and output voltage ( $V_{DDQ}$ ) gives the system designer greater flexibility in optimizing system performance.

The synchronous write and byte enables allow writing to individual bytes or the entire word.

The impedance of the output buffers is programmable allowing the outputs to match the impedance of the circuit traces which reduces signal reflections.

- Byte Write Control
- 3.3 V Power Supply
- HSTL – I/O (JEDEC Standard JESD8–6 Class I Compatible)
- HSTL – User Selectable Input Trip–Point
- HSTL – Compatible Programmable Impedance Output Drivers
- Synchronous Operation
- Asynchronous Impedance Update
- Boundary Scan (JTAG) IEEE 1149.1 Compatible
- Differential Clock Inputs C and K provide separate Input and Output Clocks
- Optional x 18 or x 36 organization
- MCM69R739A/821A–4.2 = 4.2 ns
- MCM69R739A/821A–4.5 = 4.5 ns
- MCM69R739A/821A–5 = 5 ns
- 119 Bump, 50 mil (1.27 mm) Pitch, 14 mm x 22 mm Plastic Ball Grid Array (PBGA) Package

**MCM69R739A**  
**MCM69R821A**



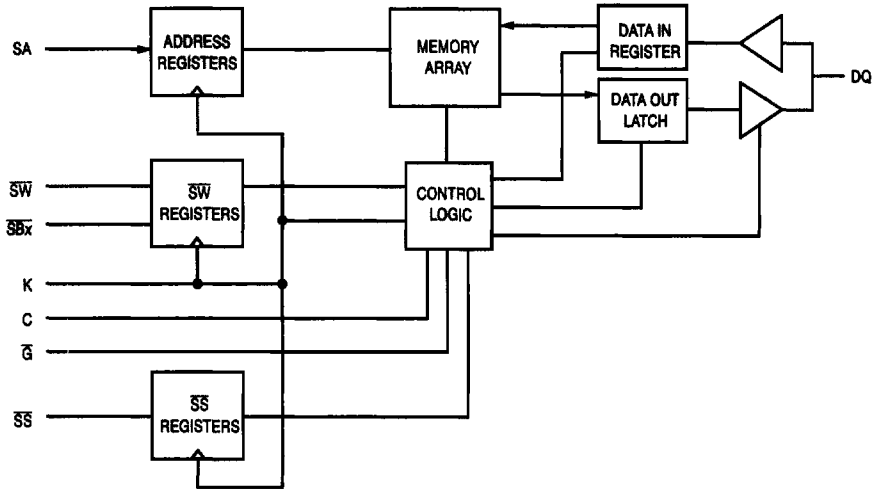
**ZP PACKAGE**  
**PBGA**  
**CASE 999-01**

**3**

This document contains information on a new product. Specifications and information herein are subject to change without notice.

4/3/97

### FUNCTIONAL BLOCK DIAGRAM



### PIN ASSIGNMENTS

#### TOP VIEW

**MCM69R739A**

	1	2	3	4	5	6	7
A	VDDQ	SA	SA	NC	SA	SA	VDDQ
B	NC	NC	SA	NC	SA	NC	NC
C	NC	SA	SA	VDD	SA	SA	NC
D	DQc	DQc	VSS	ZQ	VSS	DQb	DQb
E	DQc	DQc	VSS	SS	VSS	DQb	DQb
F	VDDQ	DQc	VSS	G	VSS	DQb	VDDQ
G	DQc	DQc	SBc	C	SBb	DQb	DQb
H	DQc	DQc	VSS	C	VSS	DQb	DQb
J	VDDQ	VDD	Vref	VDD	Vref	VDD	VDDQ
K	DQd	DQd	VSS	K	VSS	DQa	DQa
L	DQd	DQd	SBd	K	SBa	DQa	DQa
M	VDDQ	DQd	VSS	SW	VSS	DQa	VDDQ
N	DQd	DQd	VSS	SA	VSS	DQa	DQa
P	DQd	DQd	VSS	SA	VSS	DQa	DQa
R	NC	SA	VDD	VDD	VDD	SA	NC
T	NC	NC	SA	SA	SA	NC	ZZ
U	VDDQ	TMS	TDI	TCK	TDO	NC	VDDQ

**MCM69R821A**

	1	2	3	4	5	6	7
A	VDDQ	SA	SA	NC	SA	SA	VDDQ
B	NC	NC	SA	NC	SA	NC	NC
C	NC	SA	SA	VDD	SA	SA	NC
D	DQb	NC	VSS	ZQ	VSS	DQa	NC
E	NC	DQb	VSS	SS	VSS	NC	DQa
F	VDDQ	NC	VSS	G	VSS	DQa	VDDQ
G	NC	DQb	SBb	C	VSS	NC	DQa
H	DQb	NC	VSS	C	VSS	DQa	NC
J	VDDQ	VDD	Vref	VDD	Vref	VDD	VDDQ
K	NC	DQb	VSS	K	VSS	NC	DQa
L	DQb	NC	VSS	K	SBa	DQa	NC
M	VDDQ	DQb	VSS	SW	VSS	NC	VDDQ
N	DQb	NC	VSS	SA	VSS	DQa	NC
P	NC	DQb	VSS	SA	VSS	NC	DQa
R	NC	SA	VDD	VDD	VDD	SA	NC
T	NC	SA	SA	NC	SA	SA	ZZ
U	VDDQ	TMS	TDI	TCK	TDO	NC	VDDQ

**MCM69R739A PIN DESCRIPTIONS**

PBGA Pin Locations	Symbol	Type	Description
4H	C	Input	Output Clock. Active high.
4G	$\bar{C}$	Input	Output Clock. Active low.
(a) 6K, 7K, 6L, 7L, 6M, 6N, 7N, 6P, 7P (b) 6D, 7D, 6E, 7E, 6F, 6G, 7G, 6H, 7H (c) 1D, 2D, 1E, 2E, 2F, 1G, 2G, 1H, 2H (d) 1K, 2K, 1L, 2L, 2M, 1N, 2N, 1P, 2P	DQx	I/O	Synchronous Data I/O.
4F	$\bar{G}$	Input	Output Enable: Active low.
4K	K	Input	Address, data in and control input register clock. Active high.
4L	$\bar{K}$	Input	Address, data in and control input register clock. Active low.
2A, 3A, 5A, 6A, 3B, 5B, 2C, 3C, 5C, 6C, 4N, 4P, 2R, 6R, 3T, 4T, 5T	SA	Input	Synchronous Address Inputs: Registered on the rising clock edge.
5L, 5G, 3G, 3L (a), (b), (c), (d)	$\bar{S}B_x$	Input	Synchronous Byte Write Enable: Enables writes to byte x in conjunction with the $\bar{S}W$ input. Has no effect on read cycles, active low.
4E	$\bar{S}S$	Input	Synchronous Chip Enable: Registered on the rising clock edge, active low.
4M	$\bar{S}W$	Input	Synchronous Write: Registered on the rising clock edge, active low. Writes all enabled bytes.
4U	TCK	Input	Test Clock (JTAG).
3U	TDI	Input	Test Data In (JTAG).
5U	TDO	Output	Test Data Out (JTAG).
2U	TMS	Input	Test Mode Select (JTAG).
3J, 5J	V <sub>ref</sub>	Supply	Input Reference: provides reference voltage for input buffers.
4D	ZQ	Input	Programmable Output Impedance: Programming pin.
7T	ZZ	Input	Reserved for future use. Must be grounded.
4C, 2J, 4J, 6J, 4R, 5R, 3R	V <sub>DD</sub>	Supply	Core Power Supply.
1A, 7A, 1F, 7F, 1J, 7J, 1M, 7M, 1U, 7U	V <sub>DDQ</sub>	Supply	Output Power Supply: provides operating power for output buffers.
3D, 5D, 3E, 5E, 3F, 5F, 3H, 5H, 3K, 5K, 3M, 5M, 3N, 5N, 3P, 5P	V <sub>SS</sub>	Supply	Ground.
4A, 1B, 2B, 4B, 6B, 7B, 1C, 7C, 1R, 7R, 1T, 2T, 6T, 6U	NC	—	No Connection: There is no connection to the chip.

**MCM69R821A PIN DESCRIPTIONS**

PBGA Pin Locations	Symbol	Type	Description
4H	C	Input	Output Clock. Active high.
4G	$\bar{C}$	Input	Output Clock. Active low.
(a) 6D, 7E, 6F, 7G, 6H, 7K, 6L, 6N, 7P (b) 1D, 2E, 2G, 1H, 2K, 1L, 2M, 1N, 2P	DQx	I/O	Synchronous Data I/O.
4F	$\bar{G}$	Input	Output Enable: Active low.
4K	K	Input	Address, data in and control input register clock. Active high.
4L	$\bar{K}$	Input	Address, data in and control input register clock. Active low.
2A, 3A, 5A, 6A, 3B, 5B, 2C, 3C, 5C, 6C, 4N, 4P, 2R, 6R, 2T, 3T, 5T, 6T	SA	Input	Synchronous Address Inputs: Registered on the rising clock edge.
5L, 3G (a), (b)	$\bar{S}B_x$	Input	Synchronous Byte Write Enable: Enables writes to byte x in conjunction with the $\bar{S}W$ input. Has no effect on read cycles, active low.
4E	$\bar{S}S$	Input	Synchronous Chip Enable: Registered on the rising clock edge, active low.
4M	$\bar{S}W$	Input	Synchronous Write: Registered on the rising clock edge, active low. Writes all enabled bytes.
4U	TCK	Input	Test Clock (JTAG).
3U	TDI	Input	Test Data In (JTAG).
5U	TDO	Output	Test Data Out (JTAG).
2U	TMS	Input	Test Mode Select (JTAG).
3J, 5J	V <sub>ref</sub>	Supply	Input Reference: provides reference voltage for input buffers.
4D	ZQ	Input	Programmable Output Impedance: Programming pin.
7T	ZZ	Input	Reserved for future use. Must be grounded.
4C, 2J, 4J, 6J, 4R, 5R, 3R	V <sub>DD</sub>	Supply	Core Power Supply.
1A, 7A, 1F, 7F, 1J, 7J, 1M, 7M, 1U, 7U	V <sub>DDQ</sub>	Supply	Output Power Supply: provides operating power for output buffers.
3D, 5D, 3E, 5E, 3F, 5F, 5G, 3H, 5H, 3K, 5K, 3L, 3M, 5M, 3N, 5N, 3P, 5P	V <sub>SS</sub>	Supply	Ground.
4A, 1B, 2B, 4B, 6B, 7B, 1C, 7C, 2D, 7D, 1E, 6E, 2F, 1G, 6G, 2H, 7H, 1K, 6K, 2L, 7L, 6M, 2N, 7N, 1P, 6P, 1R, 7R, 1T, 4T, 6U	NC	—	No Connection: There is no connection to the chip.

**ABSOLUTE MAXIMUM RATINGS** (Voltages Referenced to VSS)

Rating	Symbol	Value	Unit
Core Supply Voltage	V <sub>DD</sub>	- 0.5 to + 4.8	V
Output Supply Voltage	V <sub>DDQ</sub>	- 0.5 to V <sub>DD</sub> + 0.5	V
Voltage On Input only pins	V <sub>in</sub>	- 0.5 to V <sub>DD</sub> + 0.5	V
Voltage On I/O pins	V <sub>INI/o</sub>	-0.5 to V <sub>DDQ</sub> + 0.5	V
Input Current (per I/O)	I <sub>in</sub>	± 50	mA
Output Current (per I/O)	I <sub>out</sub>	± 70	mA
Junction Temperature Under Bias*	T <sub>Jbias</sub>	+ 20 to + 110	°C
Storage Temperature	T <sub>stg</sub>	- 55 to + 125	°C

\*NOTE: Permanent device damage may occur if ABSOLUTE MAXIMUM RATINGS are exceeded. Functional operation should be restricted to RECOMMENDED OPERATING CONDITIONS. Exposure to higher than recommended voltages for extended periods of time could affect device reliability.

This device contains circuitry to protect the inputs against damage due to high static voltages or electric fields; however, it is advised that normal precautions be taken to avoid application of any voltage higher than maximum rated voltages to this high-impedance circuit.

This BiCMOS memory circuit has been designed to meet the dc and ac specifications shown in the tables, after thermal equilibrium has been established.

This device contains circuitry that will ensure the output devices are in High-Z at power up.

3

**PBGA PACKAGE THERMAL CHARACTERISTICS**

Rating	Symbol	Max	Unit	Notes
Junction to Ambient (Still Air)	R <sub>θJA</sub>	53	°C/W	1, 2
Junction to Ambient (@200 ft/min)	R <sub>θJA</sub>	38	°C/W	1, 2
Junction to Ambient (@200 ft/min)	R <sub>θJA</sub>	22	°C/W	
Junction to Board (Bottom)	R <sub>θJB</sub>	14	°C/W	3
Junction to Case (Top)	R <sub>θJC</sub>	5	°C/W	4

**NOTES:**

- Junction temperature is a function of on-chip power dissipation, package thermal resistance, mounting site (board) temperature, ambient temperature, air flow, power dissipation of other components on the board, and board thermal resistance.
- Per SEMI G38-87.
- Indicates the average thermal resistance between the die and the printed circuit board.
- Indicates the average thermal resistance between the die and the case top surface as measured by the cold plate method (MIL SPEC-883 Method 1012.1).

## DC OPERATING CONDITIONS AND CHARACTERISTICS

(0°C ≤ T<sub>A</sub> ≤ 70°C, Unless Otherwise Noted)

### RECOMMENDED OPERATING CONDITIONS (See Notes 1 through 4)

Parameter	Symbol	Min	Typical -4.2	Typical -4.5	Typical -5	Max	Unit	Notes
Input Reference DC Voltage	V <sub>ref</sub> (dc)	0.6	—	—	—	1.1	V	11
Core Power Supply Voltage	V <sub>DD</sub>	3.15	—	—	—	3.6	V	
Output Driver Supply Voltage	V <sub>DDQ</sub>	1.4	—	—	—	1.6	V	
Active Power Supply Current (x18) (x36)	I <sub>DD1</sub>	—	TBD	TBD	TBD	TBD	mA	5
Quiescent Active Power Supply Current	I <sub>DD2</sub>	—	TBD	TBD	TBD	TBD	mA	6, 10
Active Standby Power Supply Current	I <sub>SB1</sub>	—	TBD	TBD	TBD	TBD	mA	7
Quiescent Standby Power Supply Current	I <sub>SB2</sub>	—	TBD	TBD	TBD	TBD	mA	8, 10
Sleep Mode Power Supply Current	I <sub>SB3</sub>	—	TBD	TBD	TBD	TBD	mA	9, 10

#### NOTES:

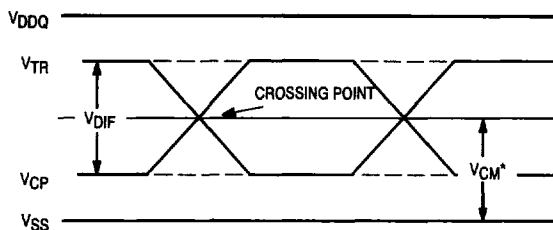
- All data sheet parameters specified to full range of V<sub>DD</sub> unless otherwise noted. All voltages are referenced to voltage applied to V<sub>SS</sub> bumps.
- Supply voltage applied to V<sub>DD</sub> connections.
- Supply voltage applied to V<sub>DDQ</sub> connections.
- All power supply currents measured with outputs open or deselected.
- V<sub>DD</sub> = V<sub>DD</sub> (max), t<sub>KHKH</sub> = t<sub>KHKH</sub> (min),  $\overline{SS}$  registered active, 50% read cycles.
- V<sub>DD</sub> = V<sub>DD</sub> (max), t<sub>KHKH</sub> = dc,  $\overline{SS}$  registered active.
- V<sub>DD</sub> = V<sub>DD</sub> (max), t<sub>KHKH</sub> = t<sub>KHKH</sub> (min),  $\overline{SS}$  registered inactive.
- V<sub>DD</sub> = V<sub>DD</sub> (max), t<sub>KHKH</sub> = dc,  $\overline{SS}$  registered inactive, ZZ low.
- V<sub>DD</sub> = V<sub>DD</sub> (Max), t<sub>KHKH</sub> = dc, registered inactive, ZZ high.
- 200 mV ≥ V<sub>in</sub> ≥ V<sub>DDQ</sub> - 200 mV.
- Although considerable latitude in the selection of the nominal dc value (i.e., rms value) of V<sub>ref</sub> is supported, the peak to peak ac component superimposed on V<sub>ref</sub> may not exceed 5% of the dc component of V<sub>ref</sub>.

### DC INPUT CHARACTERISTICS

Parameter	Symbol	Min	Max	Unit	Notes
DC Input Logic High	V <sub>IH</sub> (dc)	V <sub>ref</sub> + 0.1	V <sub>DD</sub> + 0.3	V	
DC Input Logic Low	V <sub>IL</sub> (dc)	-0.3	V <sub>ref</sub> - 0.1	V	1
Input Reference DC Voltage	V <sub>ref</sub> (dc)	0.7	0.9	V	2
Input Leakage Current	I <sub>kg</sub> (1)	—	± 5	μA	3
Clock Input Signal Voltage	V <sub>in</sub> (dc)	-0.3	V <sub>DD</sub> + 0.3	V	
Clock Input Differential Voltage	V <sub>DIF</sub> (dc)	0.2	V <sub>DD</sub> + 0.6	V	4
Clock Input Common Mode Voltage Range (See Figure 1)	V <sub>CM</sub> (dc)	0.68	1.1	V	
Clock Input Crossing Point Voltage Range (See Figure 1)	V <sub>X</sub>	0.68	1.1	V	

#### NOTES:

- Inputs may undershoot to -0.5 V (peak) for up to 20% t<sub>KHKH</sub> (e.g., 2 ns at a clock cycle time of 10 ns).
- Although considerable latitude in the selection of the nominal dc value (i.e., rms value) of V<sub>ref</sub> is supported, the peak to peak ac component superimposed on V<sub>ref</sub> may not exceed 5% of the dc component of V<sub>ref</sub>.
- 0 V ≤ V<sub>in</sub> ≤ V<sub>DD</sub> for all pins.
- Minimum differential input voltage required for differential input clock operation.



\* $V_{CM}$ : the Common Mode Input Voltage, equals  $V_{TR} - ((V_{TR} - V_{CP})/2)$ .

Figure 1. Differential Inputs/Common Mode Input Voltage

#### DC OUTPUT BUFFER CHARACTERISTICS – PROGRAMMABLE IMPEDANCE PUSH-PULL OUTPUT BUFFER MODE ( $0^{\circ}\text{C} \leq T_A \leq 70^{\circ}\text{C}$ , Unless Otherwise Noted, See Notes 5 and 6)

Parameter	Symbol	Min	Max	Unit	Notes
Output Logic Low	$V_{OL}$	$V_{DDQ}/2 - 0.025$	$V_{DDQ}/2 + 0.025$	V	1
Output Logic High	$V_{OH}$	$V_{DDQ}/2 - 0.025$	$V_{DDQ}/2 + 0.025$	V	2
Light Load Output Logic Low	$V_{OL1}$	$V_{SS}$	0.2	V	3
Light Load Output Logic High	$V_{OH1}$	$V_{DDQ} - 0.2$	$V_{DDQ}$	V	4

#### NOTES:

- $I_{OL} = (V_{DDQ}/2) / (RQ/5)$  for values of  $RQ = 175 \Omega \leq RQ \leq 350 \Omega$ .
- $I_{OH} = (V_{DDQ}/2) / (RQ/5)$  for values of  $RQ = 175 \Omega \leq RQ \leq 350 \Omega$ .
- $I_{OL} \leq 100 \mu\text{A}$
- $I_{OH} \leq 100 \mu\text{A}$
- The impedance controlled mode is expected to be used in point-to-point applications, driving high impedance inputs.
- The ZQ pin is connected through RQ to  $V_{SS}$  for the controlled impedance mode.

#### DC OUTPUT BUFFER CHARACTERISTICS – MINIMUM IMPEDANCE PUSH-PULL OUTPUT BUFFER MODE ( $0^{\circ}\text{C} \leq T_A \leq 70^{\circ}\text{C}$ , ZQ = $V_{DD}$ , See Notes 5 and 6)

Parameter	Symbol	Min.	Max.	Unit	Notes
Output Logic Low	$V_{OL2}$	$V_{SS}$	0.4	V	1
Output Logic High	$V_{OH2}$	$V_{DDQ} - 0.4$	$V_{DDQ}$	V	2
Light Load Output Logic Low	$V_{OL3}$	$V_{SS}$	0.2	V	3
Light Load Output Logic High	$V_{OH3}$	$V_{DDQ} - 0.2$	$V_{DDQ}$	V	4

#### NOTES:

- $I_{OL} \leq 16 \text{ mA}$ .
- $I_{OH} \leq 16 \text{ mA}$ .
- $I_{OL} \leq 100 \mu\text{A}$ .
- $I_{OH} \leq 100 \mu\text{A}$ .
- The push-pull output mode is expected to be used in bussed applications and may be series or parallel terminated. Conforms to the JEDEC Standard JESD8-6 Class II.
- The ZQ pin is connected to  $V_{DD}$  to enable the minimum impedance mode.

#### CAPACITANCE (f = 1.0 MHz, $dV = 3.0 \text{ V}$ , $0^{\circ}\text{C} \leq T_A \leq 70^{\circ}\text{C}$ , Periodically Sampled Rather Than 100% Tested)

Characteristic	Symbol	Typ	Max	Unit
Input Capacitance	$C_{in}$	4	5	pF
Input/Output Capacitance	$C_{I/O}$	7	8	pF
CK, $\overline{\text{CK}}$ Capacitance	$C_{CK}$	4	5	pF

## AC OPERATING CONDITIONS AND CHARACTERISTICS

(0°C ≤ T<sub>A</sub> ≤ 70°C, Unless Otherwise Noted)

Input Pulse Levels ..... 0.25 to 1.25 V  
 Input Rise/Fall Time ..... 1 V/ns (20% to 80%)  
 Input Timing Measurement Reference Level ..... 0.75 V

Output Timing Reference Level ..... 0.75 V  
 Clock Input Timing Reference Level ..... Differential Cross-Point  
 RQ for 50 Ω Impedance ..... 250 Ω

### READ/WRITE CYCLE TIMING (See Note 3)

Parameter	Symbol	MCM69R739A-4.2 MCM69R821A-4.2		MCM69R739A-4.5 MCM69R821A-4.5		MCM69R739A-5 MCM69R821A-5		Unit	Notes	
		Min	Max	Min	Max	Min	Max			
Cycle Time	t <sub>KHKH</sub>	4.2	—	4.5	—	5	—	ns		
K Clock High Pulse Width	t <sub>KHKL</sub>	1.7	—	2	—	2	—	ns		
K Clock Low Pulse Width	t <sub>KLKH</sub>	1.5	—	1.75	—	2	—	ns		
C Clock High Pulse Width	t <sub>CHCL</sub>	1.7	—	2	—	2	—	ns		
C Clock Low Pulse Width	t <sub>CLCH</sub>	1.5	—	1.75	—	2	—	ns		
C Clock High to K Clock High Delay	t <sub>CHKH</sub>	0.8	—	0.8	—	1	—	ns		
K Clock High to C Clock High Delay	t <sub>KHCH</sub>	1.5	—	1.5	—	2	—	ns		
Clock High to Output Valid	t <sub>KHQV</sub>	—	5.5	—	6.5	—	7.5	ns	1	
C Clock High to Output Valid	t <sub>CHQV</sub>	—	2.3	—	2.7	—	3	ns	1	
C Clock High to Output Hold	t <sub>CHQX</sub>	0.7	—	0.7	—	1	—	ns	2	
Output Enable Low to Output Low-Z	t <sub>GLOX</sub>	0.5	—	0.5	—	0.5	—	ns	2	
Output Enable Low to Output Valid	t <sub>GLOV</sub>	—	2.1	—	2.5	—	2.5	ns	1	
Output Enable to Output Hold	t <sub>GHQX</sub>	0.5	—	0.5	—	0.5	—	ns	2	
Output Enable High to Output High-Z	t <sub>GHQZ</sub>	—	2	—	2.3	—	2.5	ns	2	
Setup Times:	Address Data In Chip Select Write Enable Output Enable	t <sub>AVKH</sub> t <sub>DVKH</sub> t <sub>SVKH</sub> t <sub>WVKH</sub> t <sub>GVKH</sub>	0.5	—	0.5	—	0.5	—	ns	
Hold Times:	Address Chip Select Write Enable Output Enable	t <sub>KHAX</sub> t <sub>KHSX</sub> t <sub>KHWX</sub> t <sub>KHGX</sub>	1	—	1	—	1	—	ns	
Hold Time	Data In	t <sub>KHDX</sub>	0.8	—	1	—	1	—	ns	

#### NOTES:

1. Tested per AC Test Load diagram. See Figure 2.
2. Measured at ± 200 mV from steady state.
3. In no case may control input signals (e.g.,  $\overline{SS}$ ) be operated with pulse widths less than the minimum clock input pulse width specifications (e.g., t<sub>KHKL</sub>) or at frequencies that exceed the applied K clock frequency.

### TIMING LIMITS

The table of timing values shows either a minimum or a maximum limit for each parameter. Input requirements are specified from the external system point of view. Thus, address setup time is shown as a minimum since the system must supply at least that much time. On the other hand, responses from the memory are specified from the device point of view. Thus, the access time is shown as a maximum since the device never provides data later than that time.

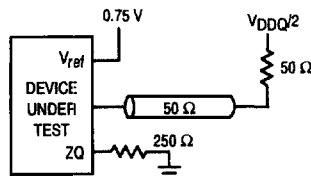


Figure 2. AC Test Load



## AC INPUT CHARACTERISTICS

Parameter	Symbol	Min	Max	Note
AC Input Logic High (See Figure 4)	$V_{IH(ac)}$	$V_{ref} + 200\text{ mV}$		
AC Input Logic Low (See Figure 3 and 4)	$V_{IL(ac)}$		$V_{ref} - 200\text{ mV}$	1
Input Reference Peak to Peak ac Voltage	$V_{ref(ac)}$		$5\% V_{ref}(dc)$	2
Clock Input Differential Voltage	$V_{DIF}(ac)$	$400\text{ mV}$	$V_{DD} + 600\text{ mV}$	3

### NOTES:

- Inputs may undershoot to  $-0.5\text{ V}$  (peak) for up to  $20\% t_{KHKH}$  (e.g.,  $2\text{ ns}$  at a clock cycle time of  $10\text{ ns}$ ).
- Although considerable latitude in the selection of the nominal dc value (i.e., rms value) of  $V_{ref}$  is supported, the peak to peak ac component superimposed on  $V_{ref}$  may not exceed  $5\%$  of the dc component of  $V_{ref}$ .
- Minimum differential input voltage required for differential input clock operation.

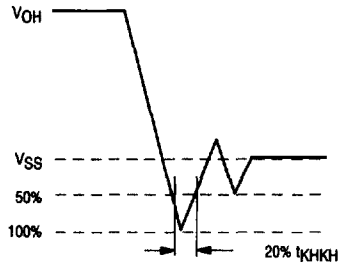


Figure 3. Undershoot Voltage

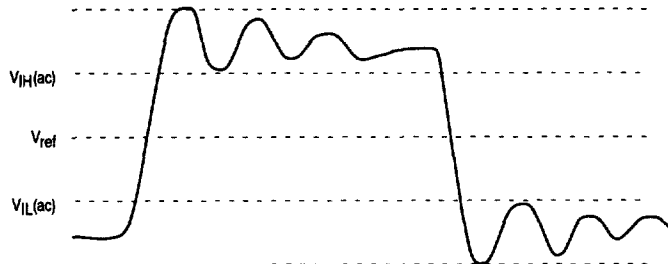
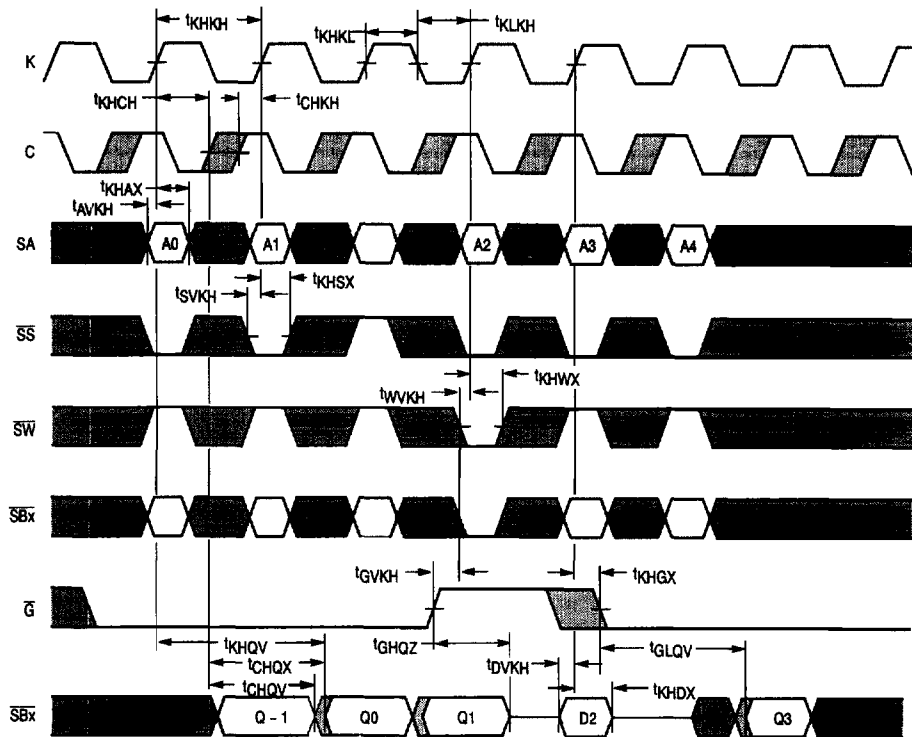


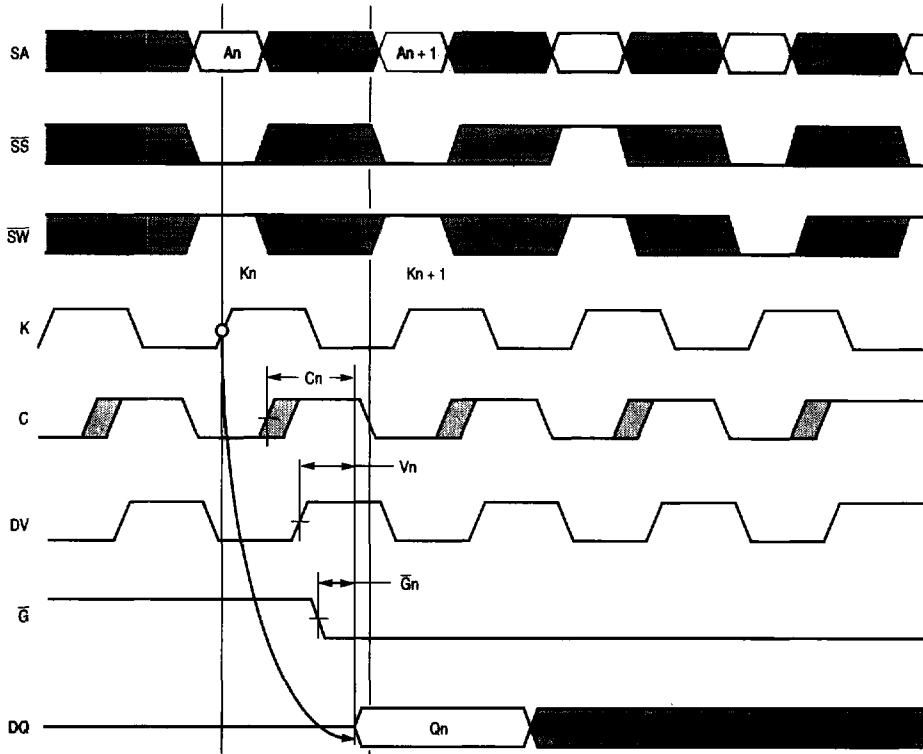
Figure 4. Differential Inputs/Common Mode Input Voltage

### BASIC TIMING



3

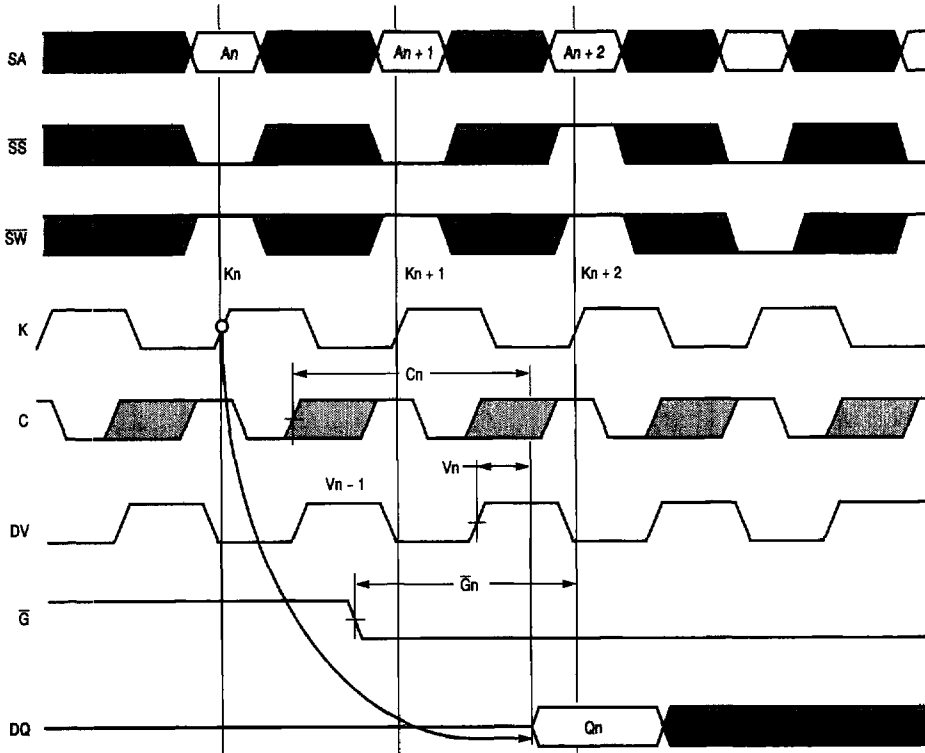
READ TIMING OUTPUT ENABLE ( $t_{KHQV} < t_{KHKH}$ )



NOTE:

1. The outputs are enabled by a combination of events, both internal and external.
2. DV is an internal signal and is not visible externally. It indicates when new valid data is available. Actual output enable occurs only after all three events; C clock, DV,  $\bar{G}$  have occurred for cycle  $K_n$ . They do not have to occur in the order shown.

READ TIMING OUTPUT ENABLE ( $t_{KHQV} > t_{KHKH}$ )



NOTE:

1. The outputs are enabled by a combination of events, both internal and external.
2. DV is an internal signal and is not visible externally. It indicates when new valid data is available. Actual output enable occurs only after all three events; C clock, DV,  $\overline{G}$  have occurred for cycle  $K_n$ . They do not have to occur in the order shown.

## FUNCTIONAL OPERATION

### GENERAL

All control signals except  $\bar{G}$  are registered on the rising edge of the K clock. All signals must meet the setup and hold times shown in the AC Characteristics table.

### OUTPUT ENABLE and $\bar{G}$

$\bar{G}$  asynchronously three-states the output buffers. However when going from three-state to a low-Z condition, the state and timing of K, C,  $\bar{S}\bar{W}$ ,  $\bar{S}\bar{S}$ , and  $\bar{G}$  determine when the data bus comes out of three-state. The Read Timing Output Enable Timing diagrams ( $t_{KHQV} < t_{KHKH}$ ) and ( $t_{KHQV} > t_{KHKH}$ ) show the conditions that must occur before the output is enabled.

If  $\bar{S}\bar{S}$  is high at the rising edge of K the device will be deselected at the next rising edge of the C clock, if it is not already deselected from a previous event.

### READ OPERATION

The read operation is controlled by  $\bar{G}$ , K, C,  $\bar{S}\bar{W}$ , and  $\bar{S}\bar{S}$ . The K and C clock operate at the same frequency but are shifted in phase with each other. There is a minimum separation of the K and C clock as specified by  $t_{KHCH}$  and  $t_{CHKH}$ . The rising edge of the C clock allows valid data to be output and disables further changes in the output until the next rising edge of C clock.

### WRITE OPERATION

$\bar{G}$  must be used to three-state the data bus for a write cycle.  $\bar{S}\bar{W}$  does not three-state the bus.

The write address is sampled on the first rising edge of K clock and write data is sampled on the following rising edge.

The late write feature is implemented with single stage write buffering. Write buffering is transparent to the user. A comparator monitors the address bus and, when necessary, routes buffer contents to the outputs to assure coherent operation. This occurs in all cases whether there is a byte write or a full word is written.

Data is transferred to the array at the next write cycle.

### WRITE AND BYTE WRITE FUNCTIONS

Note that in the following discussion the term "byte" refers to nine bits of the RAM I/O bus. In all cases, the timing parameters described for synchronous write input ( $\bar{S}\bar{W}$ ) apply to each of the byte write enable inputs ( $\bar{S}\bar{B}a$ ,  $\bar{S}\bar{B}b$ , etc.).

Byte write enable inputs have no effect on read cycles. This allows the system designer not interested in performing

byte writes to connect the byte enable inputs to active low ( $V_{SS}$ ). Reads of all bytes proceed normally and write cycles, activated via a low on  $\bar{S}\bar{W}$ , and the rising edge of the K clock, write the entire RAM I/O width. This way the designer is spared having to drive multiple write input buffer loads.

Byte writes are performed using the byte write enable inputs in conjunction with the synchronous write input ( $\bar{S}\bar{W}$ ). It is important to note that writing any one byte will inhibit a read of all bytes at the current address. The RAM cannot simultaneously read one byte and write another at the same address. A write cycle initiated with none of the byte write enable inputs active is neither a read or a write. No write will occur.

### PROGRAMMABLE IMPEDANCE OPERATION

The designer can program the RAMs output buffer impedance by terminating the ZQ pin to  $V_{SS}$  through a precision resistor (RQ). The value of RQ is five times the output impedance desired. For example, 250  $\Omega$  resistor will give an output impedance of 50  $\Omega$ .

Impedance updates occur continuously and the frequency of the update is based on the subdivided K clock. Note that if the K clock stops so does the impedance update.

The actual change in the impedance occurs in small increments and is monotonic. There are no significant disturbances that occur on the output because of this smooth update method.

The impedance update is not related to any particular type of cycle because the impedance is updated continuously and is based on the K clock. Updates occur regardless of whether the device is performing a read, write or a deselect cycle and does not depend on the state of  $\bar{G}$ .

At power up, the output impedance defaults to approximately 50 ohms. It will take 4,000 to 16,000 cycles for the impedance to be completely updated if the programmed impedance is much higher or lower than 50  $\Omega$ .

The output buffers can also be programmed in a minimum impedance configuration by connecting ZQ to  $V_{DD}$ .

### POWER UP AND INITIALIZATION

The following supply voltage application sequence is recommended:  $V_{SS}$ ,  $V_{DD}$ , then  $V_{DDQ}$ . Please note, per the Absolute Maximum Ratings table,  $V_{DDQ}$  is not to exceed  $V_{DD} + 0.5$  V, whatever the instantaneous value of  $V_{DD}$ . Once supplies have reached specification levels, a minimum dwell of 1.0 ms with C/K clock inputs cycling is required before beginning normal operations. At power up the output impedance will be set at approximately 50  $\Omega$  as stated above.

## SERIAL BOUNDARY SCAN TEST ACCESS PORT OPERATION

### OVERVIEW

The serial boundary scan test access port (TAP) on this RAM is designed to operate in a manner consistent with IEEE Standard 1149.1-1990 (commonly referred to as JTAG), but does not implement all of the functions required for 1149.1 compliance. Certain functions have been modified or eliminated because their implementation places extra delays in the RAMs critical speed path. Nevertheless, the RAM supports the standard TAP controller architecture. (The TAP controller is the state machine that controls the TAPs operation) and can be expected to function in a manner that does not conflict with the operation of devices with Standard

1149.1 compliant TAPs. The TAP operates using conventional JEDEC Standard 8-1B Low Voltage (3.3 V) TTL / CMOS logic level signaling.

### DISABLING THE TEST ACCESS PORT

It is possible to use this device without utilizing the TAP. To disable the TAP Controller without interfering with normal operation of the device, TCK must be tied to  $V_{SS}$  to preclude mid level inputs. TDI and TMS are designed so an undriven input will produce a response identical to the application of a logic 1, and may be left unconnected. But they may also be tied to  $V_{DD}$  through a 1 k resistor. TDO should be left unconnected.

3

### TAP DC OPERATING CHARACTERISTICS

( $0^{\circ}\text{C} \leq T_A \leq 70^{\circ}\text{C}$ , Unless Otherwise Noted)

Parameter	Symbol	Min	Max	Unit	Note
Logic Input Logic High	$V_{IH1}$	2.0	$V_{DD} + 0.3$	V	
Logic Input Logic Low	$V_{IL1}$	-0.3	0.8	V	
Logic Input Leakage Current	$I_{lkg}$	—	$\pm 5$	$\mu\text{A}$	1
Output Logic Low	$V_{OL1}$	—	0.2	V	2
Output Logic High	$V_{OH1}$	$V_{DD} - 0.2$	—	V	3
Output Logic Low	$V_{OL2}$	—	0.4	V	4
Output Logic High	$V_{OH2}$	2.4	—	V	5

#### NOTES:

- $0\text{ V} \leq V_{in} \leq V_{DDQ}$  for all logic input pins.
- $I_{OL1} \leq 100\ \mu\text{A}$  @  $V_{OL} = 0.2\text{ V}$ . Sampled, not 100% tested.
- $I_{OH1} \leq 100\ \mu\text{A}$  @  $V_{DDQ} - 0.2\text{ V}$ . Sampled, not 100% tested.
- $I_{OL2} \leq 8\text{ mA}$  @  $V_{OL} = 0.4\text{ V}$ .
- $I_{OH2} \leq 8\text{ mA}$  @  $V_{OH} = 2.4\text{ V}$ .

## TAP AC OPERATING CONDITIONS AND CHARACTERISTICS

(0°C ≤ T<sub>A</sub> ≤ 70°C, Unless Otherwise Noted)

Input Pulse Levels ..... 0 to 3.0 V  
 Input Rise/Fall Time ..... 1 V/ns (20% to 80%)  
 Input Timing Measurement Reference Level ..... 1.5 V  
 Output Timing Reference Level ..... 1.5 V

Output Test Load ..... 50 Ω Parallel Terminated T-line with 20 pF Receiver Input Capacitance  
 Test Load Termination Supply Voltage (V<sub>T</sub>) ..... 1.5 V

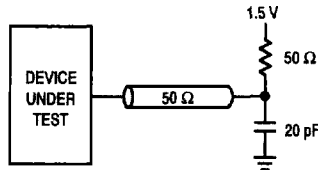
### TAP CONTROLLER TIMING

Parameter	Symbol	Min	Max	Unit	Notes
Cycle Time	t <sub>THTH</sub>	100	—	ns	
Clock High Time	t <sub>HTL</sub>	40	—	ns	
Clock Low Time	t <sub>LT</sub>	40	—	ns	
TMS Setup	t <sub>MVTH</sub>	10	—	ns	
TMS Hold	t <sub>HMX</sub>	10	—	ns	
TDI Valid to TCK High	t <sub>DVTH</sub>	10	—	ns	
TCK High to TDI Don't Care	t <sub>THDX</sub>	10	—	ns	
Capture Setup	t <sub>CS</sub>	10	—	ns	1
Capture Hold	t <sub>CH</sub>	10	—	ns	1
TCK Low to TDO Unknown	t <sub>TLQX</sub>	0	—	ns	
TCK Low to TDO Valid	t <sub>TLOV</sub>	—	20	ns	

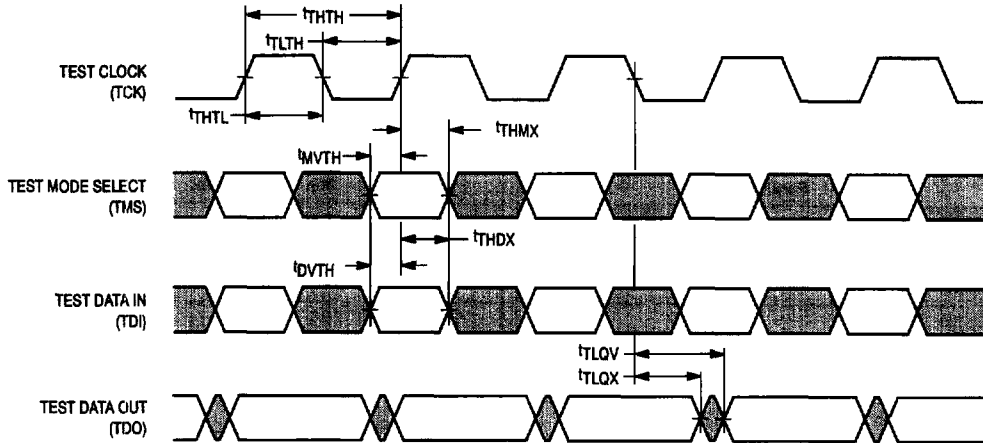
#### NOTES:

- t<sub>CS</sub> + t<sub>CH</sub> defines the minimum pause in RAM I/O pad transitions to assure accurate pad data capture.

### AC TEST LOAD



**TAP CONTROLLER TIMING DIAGRAM**



**TEST ACCESS PORT PINS**

**TCK – TEST CLOCK (INPUT)**

Clocks all TAP events. All inputs are captured on the rising edge of TCK and all outputs propagate from the falling edge of TCK.

**TMS – TEST MODE SELECT (INPUT)**

The TMS input is sampled on the rising edge of TCK. This is the command input for the TAP controller state machine. An undriven TMS input will produce the same result as a logic one input level.

**TDI – TEST DATA IN (INPUT)**

The TDI input is sampled on the rising edge of TCK. This is the input side of the serial registers placed between TDI and TDO. The register placed between TDI and TDO is determined by the state of the TAP controller state machine and the instruction that is currently loaded in the TAP instruction register (refer to Figure 6 TAP Controller State Diagram). An undriven TDI pin will produce the same result as a logic one input level.

**TDO – TEST DATA OUT (OUTPUT)**

Output that is active depending on the state of the TAP state machine (refer to Figure 6 TAP Controller State Diagram). Output changes in response to the falling edge of TCK. This is the output side of the serial registers placed between TDI and TDO.

**TRST – TAP RESET**

This device does not have a TRST pin. TRST is optional in IEEE 1149.1. The test-logic reset state is entered while TMS

is held high for five rising edges of TCK. Power on reset circuitry is included internally. This type of reset does not affect the operation of the system logic. The reset affects test logic only.

**TEST ACCESS PORT REGISTERS**

**OVERVIEW**

The various TAP registers are selected (one at a time) via the sequences of ones and zeros input to the TMS pin as the TCK is strobed. Each of the TAPs registers are serial shift registers that capture serial input data on the rising edge of TCK and push serial data out on subsequent falling edge of TCK. When a register is selected it is "placed" between the TDI and TDO pins.

**INSTRUCTION REGISTER**

The instruction register holds the instructions that are executed by the TAP controller when it is moved into the run test/idle or the various data register states. The instructions are three bits long. The register can be loaded when it is placed between the TDI and TDO pins. The instruction register is automatically preloaded with the IDCODE instruction at power-up or whenever the controller is placed in test-logic-reset state.

**BYPASS REGISTER**

The bypass register is a single bit register that can be placed between TDI and TDO. It allows serial test data to be passed through the RAMs TAP to another device in the scan chain with as little delay as possible.



## BOUNDARY SCAN REGISTER

The boundary scan register is identical in length to the number of active input and I/O connections on the RAM (not counting the TAP pins). This also includes a number of place holder locations (always set to a logic 1) reserved for density upgrade address pins. There are a total of 70 bits in the case of the x36 device and 51 bits in the case of the x18 device. The boundary scan register, under the control of the TAP controller, is loaded with the contents of the RAMs I/O ring when the controller is in capture-DR state and then is placed between the TDI and TDO pins when the controller is moved to shift-DR state. Several TAP instructions can be used to activate the boundary scan register.

The Bump/Bit Scan Order tables describe which device bump connects to each boundary scan register location. The first column defines the bit's position in the boundary scan register. The shift register bit nearest TDO (i.e., first to be shifted out) is defined as bit 1. The second column is the name of the input or I/O at the bump and the third column is the bump number.

## IDENTIFICATION (ID) REGISTER

The ID Register is a 32 bit register that is loaded with a device and vendor specific 32 bit code when the controller is put in capture-DR state with the IDCODE command loaded in the instruction register. The code is loaded from a 32 bit on-chip ROM. It describes various attributes of the RAM as indicated below. The register is then placed between the TDI and TDO pins when the controller is moved into shift-DR state. Bit 0 in the register is the LSB and the first to reach TDO when shifting begins.

## ID Register Presence Indicator

Bit #	0
Value	1

## Motorola JEDEC ID Code (Compressed Format, per IEEE Standard 1149.1 - 1990)

Bit #	11	10	9	8	7	6	5	4	3	2	1
Value	0	0	0	0	0	0	0	1	1	1	0

## Reserved For Future Use

Bit #	17	16	15	14	13	12
Value	x	x	x	x	x	x

## Device Width

Configuration	Bit #	22	21	20	19	18
128Kx36	Value	0	0	1	0	0
256Kx18	Value	0	0	0	1	1

## Device Depth

Configuration	Bit #	27	26	25	24	23
128Kx36	Value	0	0	1	0	1
256Kx18	Value	0	0	1	1	0

## Revision Number

Bit #	31	30	29	28
Value	x	x	x	x

Figure 5. ID Register Bit Meanings

3

**MCM69R739A Bump/Bit Scan Order**

BIT #	Signal Name	Bump ID	Bit #	Signal Name	Bump ID
1	M2	5R	36	SA	3B
2	SA	4P	37	NC	2B
3	SA	4T	38	SA	3A
4	SA	6R	39	SA	3C
5	SA	5T	40	SA	2C
6	ZZ	7T	41	SA	2A
7	DQa	6P	42	DQc	2D
8	DQa	7P	43	DQc	1D
9	DQa	6N	44	DQc	2E
10	DQa	7N	45	DQc	1E
11	DQa	6M	46	DQc	2F
12	DQa	6L	47	DQc	2G
13	DQa	7L	48	DQc	1G
14	DQa	6K	49	DQc	2H
15	DQa	7K	50	DQc	1H
16	$\overline{SBa}$	5L	51	$\overline{SBc}$	3G
17	$\overline{K}$	4L	52	ZQ	4D
18	K	4K	53	$\overline{SS}$	4E
19	$\overline{C}$	4F	54	$\overline{C}$	4G
20	$\overline{SBb}$	5G	55	C	4H
21	DQb	7H	56	$\overline{SW}$	4M
22	DQb	6H	57	$\overline{SBd}$	3L
23	DQb	7G	58	DQd	1K
24	DQb	6G	59	DQd	2K
25	DQb	6F	60	DQd	1L
26	DQb	7E	61	DQd	2L
27	DQb	6E	62	DQd	2M
28	DQb	7D	63	DQd	1N
29	DQb	6D	64	DQd	2N
30	SA	6A	65	DQd	1P
31	SA	6C	66	DQd	2P
32	SA	5C	67	SA	3T
33	SA	5A	68	SA	2R
34	NC	6B	69	SA	4N
35	SA	5B	70	M1	3R

**MCM69R821A Bump/Bit Scan Order**

Bit #	Signal Name	Bump ID	Bit #	Signal Name	Bump ID
1	M2	5R	36	$\overline{SBb}$	3G
2	SA	6T	37	ZQ	4D
3	SA	4P	38	$\overline{SS}$	4E
4	SA	6R	39	$\overline{C}$	4G
5	SA	5T	40	C	4H
6	ZZ	7T	41	$\overline{SW}$	4M
7	DQa	7P	42	DQb	2K
8	DQa	6N	43	DQb	1L
9	DQa	6L	44	DQb	2M
10	DQa	7K	45	DQb	1N
11	$\overline{SBa}$	5L	46	DQb	2P
12	$\overline{K}$	4L	47	SA	3T
13	K	4K	48	SA	2R
14	$\overline{C}$	4F	49	SA	4N
15	DQa	6H	50	SA	2T
16	DQa	7G	51	M1	3R
17	DQa	6F			
18	DQa	7E			
19	DQa	6D			
20	SA	6A			
21	SA	6C			
22	SA	5C			
23	SA	5A			
24	NC	6B			
25	SA	5B			
26	SA	3B			
27	NC	2B			
28	SA	3A			
29	SA	3C			
30	SA	2C			
31	SA	2A			
32	DQb	1D			
33	DQb	2E			
34	DQb	2G			
35	DQb	1H			

**NOTES:**

1. The NC pads listed in this table are indeed no connects, but are represented in the boundary scan register by a "place holder" bit that is forced to logic 1. These pads are reserved for use as address inputs on higher density RAMs that follow this pad out and scan order standard.
2. K,  $\overline{K}$ , C,  $\overline{C}$  are sampled individually,  $\overline{K}$ ,  $\overline{C}$  is not simply a forced complement of the K, C input. In scan mode these differential inputs are referenced to  $V_{ref}$ , not each other.
3. ZQ, M1, and M2 are not ordinary inputs and may not respond to standard I/O logic levels. ZQ, M1, and M2 must be driven to within 100 mV of a  $V_{DD}$  or  $V_{SS}$  supply rail to ensure consistent results.
4. ZZ must remain at  $V_{IL}$  during boundary scan to ensure consistent results.

## TAP CONTROLLER INSTRUCTION SET

### OVERVIEW

There are two classes of instructions defined in the Standard 1149.1–1990; the standard (public) instructions, and device specific (private) instructions. Some public instructions, are mandatory for 1149.1 compliance. Optional public instructions must be implemented in prescribed ways.

Although the TAP controller in this device follows the 1149.1 conventions, it is not 1194.1 compliant because some of the mandatory instructions are not fully implemented. The TAP on this device may be used to monitor all input and I/O pads, but cannot be used to load address, data or control signals into the RAM or to preload the I/O buffers. In other words, the device will not perform Standard 1149.1 EXTEST, INTEST or the preload portion of the SAMPLE / PRELOAD command.

When the TAP controller is placed in capture–IR state the two least significant bits of the instruction register are loaded with 01. When the controller is moved to the shift–IR state the instruction register is placed between TDI and TDO. In this state the desired instruction is serially loaded through the TDI input (while the previous contents are shifted out at TDO). For all instructions, the TAP executes newly loaded instructions only when the controller is moved to update–IR state. The TAP instruction sets for this device are listed in the following tables.

### STANDARD (PUBLIC) INSTRUCTIONS

#### BYPASS

The BYPASS instruction is loaded in the instruction register when the bypass register is placed between TDI and TDO. This occurs when the TAP controller is moved to the shift–DR state. This allows the board level scan path to be shortened to facilitate testing of other devices in the scan path.

#### SAMPLE/PRELOAD

Sample/preload is a Standard 1149.1 mandatory public instruction. When the sample / preload instruction is loaded in the instruction register, moving the TAP controller into the capture–DR state loads the data in the RAMs input and I/O buffers into the boundary scan register. Because the RAM clock(s) are independent from the TAP clock (TCK) it is possible for the TAP to attempt to capture the I/O ring contents while the input buffers are in transition (i.e. in a metastable state). Although allowing the TAP to sample metastable inputs will not harm the device, repeatable results cannot be

expected. RAM input signals must be stabilized for long enough to meet the TAPs input data capture set–up plus hold time ( $t_{CS}$  plus  $t_{CH}$ ). The RAMs clock inputs need not be paused for any other TAP operation except capturing the I/O ring contents into the boundary scan register.

Moving the controller to shift–DR state then places the boundary scan register between the TDI and TDO pins. Because the PRELOAD portion of the command is not implemented in this device, moving the controller to the update–DR state with the SAMPLE / PRELOAD instruction loaded in the instruction register has the same effect as the pause–DR command. This functionality is not Standard 1149.1 compliant.

#### EXTEST

EXTEST is an IEEE 1149.1 mandatory public instruction. It is to be executed whenever the instruction register, whatever length it may be in the device, is loaded with all logic 0s. EXTEST is not implemented in this device. Therefore this device is not 1149.1 compliant. Nevertheless, this RAMs TAP does respond to an all zeros instruction, as follows. With the EXTEST (000) instruction loaded in the instruction register the RAM responds just as it does in response to the SAMPLE/PRELOAD instruction described above, except the RAM outputs are forced to high–Z any time the instruction is loaded.

#### IDCODE

The IDCODE instruction causes the ID ROM to be loaded into the ID register when the controller is in capture–DR mode and places the ID register between the TDI and TDO pins in shift–DR mode. The IDCODE instruction is the default instruction loaded in at power up and any time the controller is placed in the test–logic–reset state.

### THE DEVICE SPECIFIC (PUBLIC) INSTRUCTION

#### SAMPLE–Z

If the SAMPLE–Z instruction is loaded in the instruction register, all RAM outputs are forced to an inactive drive state (high–Z) and the boundary scan register is connected between TDI and TDO when the TAP controller is moved to the shift–DR state.

### THE DEVICE SPECIFIC (PRIVATE) INSTRUCTION

#### NOOP

Do not use these instructions; they are reserved for future use.

**STANDARD (PUBLIC) INSTRUCTION CODES**

Instruction	Code*	Description
EXTEST	000	Captures I/O ring contents. Places the boundary scan register between TDI and TDO. Forces all RAM outputs to High-Z state. *NOT 1149.1 COMPLIANT*
IDCODE	001**	Preloads ID register and places it between TDI and TDO. Does not affect RAM operation.
SAMPLE / PRELOAD	100	Captures I/O ring contents. Places the boundary scan register between TDI and TDO. Does not affect RAM operation. Does not implement 1149.1 Preload function. * NOT 1149.1 COMPLIANT *
BYPASS	111	Places bypass register between TDI and TDO. Does not affect RAM operation.
SAMPLE-Z	010	Captures I/O ring contents. Places the boundary scan register between TDI and TDO. Forces all RAM output drivers to High-Z.

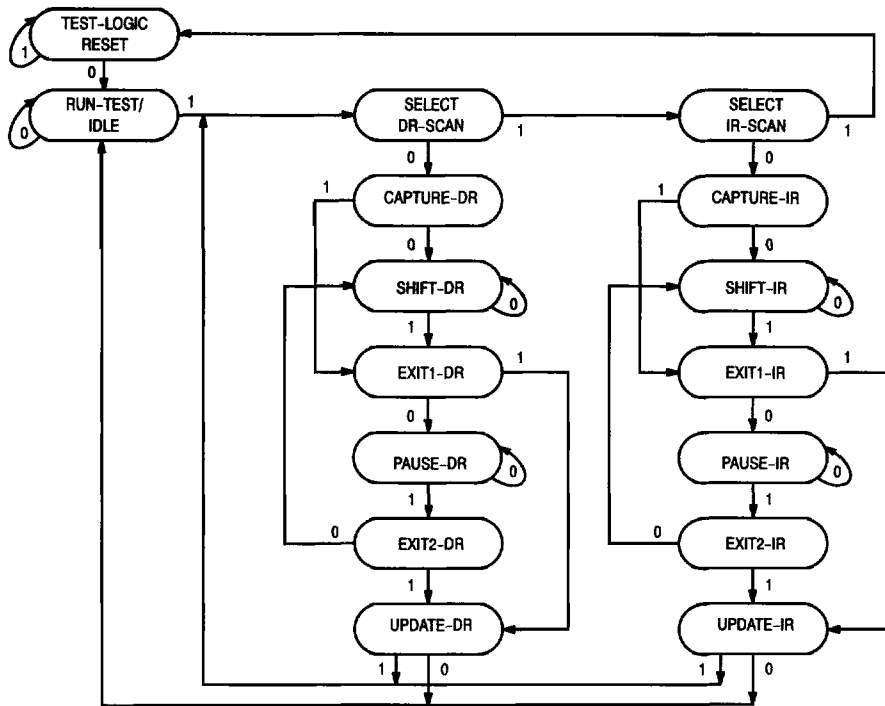
\* Instruction codes expressed in binary, MSB on left, LSB on right.

\*\* Default instruction automatically loaded at power-up and in test-logic-reset state.

**STANDARD (PRIVATE) INSTRUCTION CODES**

Instruction	Code*	Description
NO OP	011	Do not use these instructions; they are reserved for future use.
NO OP	101	Do not use these instructions; they are reserved for future use.
NO OP	110	Do not use these instructions; they are reserved for future use.

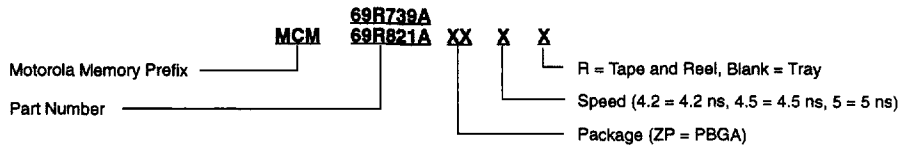
\* Instruction codes expressed in binary, MSB on left, LSB on right.



NOTE: The value adjacent to each state transition represents the signal present at TMS at the rising edge of TCK.

Figure 6. TAP Controller State Diagram

**ORDERING INFORMATION**  
(Order by Full Part Number)



Full Part Numbers —

MCM69R739AZP4.2	MCM69R739AZP4.5	MCM69R739AZP5
MCM69R821AZP4.2	MCM69R821AZP4.5	MCM69R821AZP5
MCM69R739AZP4.2R	MCM69R739AZP4.5R	MCM69R739AZP5R
MCM69R821AZP4.2R	MCM69R821AZP4.5R	MCM69R821AZP5R

3