



BCD TO SEVEN SEGMENT LATCH/DECODER/DRIVER

- HIGH OUTPUT SOURCING CAPABILITY (up to 25mA).
- INPUT LATCHES FOR BCD CODE STORAGE
- LAMP TEST AND BLANKING CAPABILITY.
- 7-SEGMENT OUTPUTS BLANKED FOR BCD INPUT CODES > 1001
- QUIESCENT CURRENT SPECIF. UP TO 20V
- STANDARDIZED SYMMETRICAL OUTPUT CHARACTERISTICS
- 5V, 10V, AND 15V PARAMETRIC RATINGS
- INPUT LEAKAGE CURRENT
 $I_l = 100\text{nA (MAX) AT } V_{DD} = 18\text{V } T_A = 25^\circ\text{C}$
- 100% TESTED FOR QUIESCENT CURRENT
- MEETS ALL REQUIREMENTS OF JEDEC JESD13B "STANDARD SPECIFICATIONS FOR DESCRIPTION OF B SERIES CMOS DEVICES"



ORDER CODES

| PACKAGE | TUBE | T & R |
|---------|------------|---------------|
| DIP | HCF4511BEY | |
| SOP | HCF4511BM1 | HCF4511M013TR |

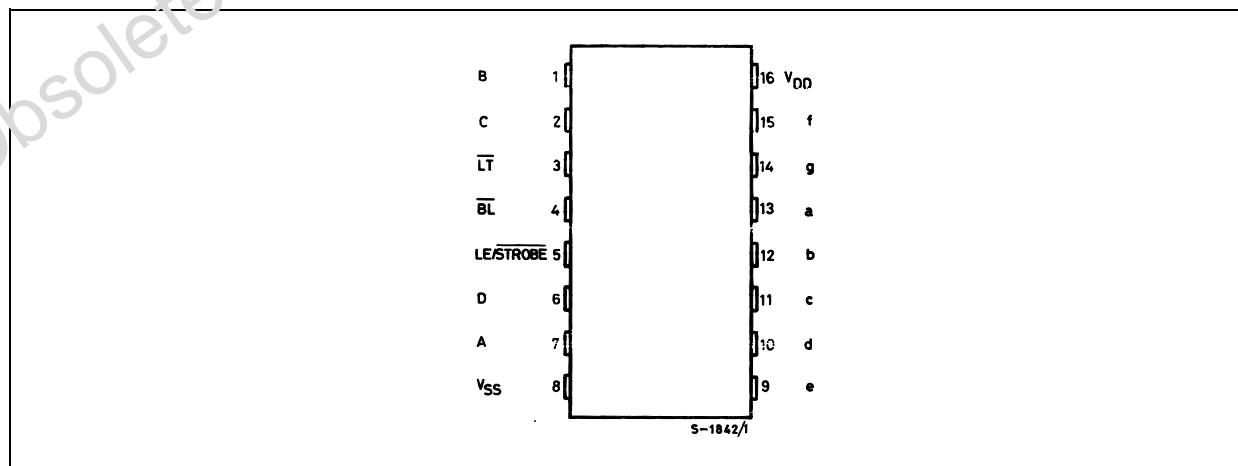
DESCRIPTION

HCF4511B is a monolithic integrated circuit fabricated in Metal Oxide Semiconductor technology available in DIP and SOP packages. HCF4511B is a BCD to 7 segment decoder driver made up of CMOS logic and n-p-n bipolar transistor output devices on a single monolithic structure. This device combines the low quiescent

power dissipation and high noise immunity features of CMOS with n-p-n bipolar output transistor capable of sourcing up to 25mA. This capability allows HCF4511B to drive LEDs and other displays directly.

Lamp Test (\overline{LT}), Blanking (\overline{BL}), and Latch Enable or Strobe inputs are provided to test the display, shut off or intensity-modulate it, and store or strobe a BCD code, respectively. Several different signals may be multiplexed and displayed when external multiplexing circuitry is used.

PIN CONNECTION



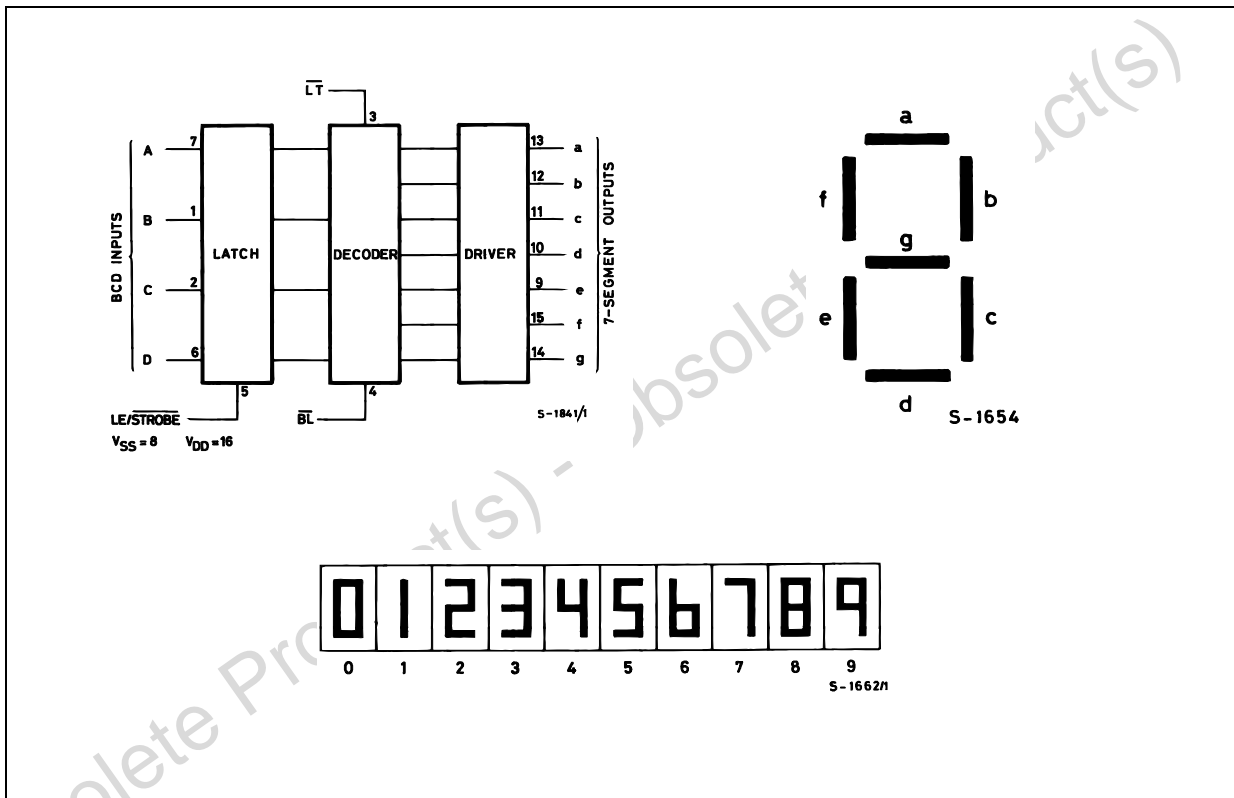
INPUT EQUIVALENT CIRCUIT



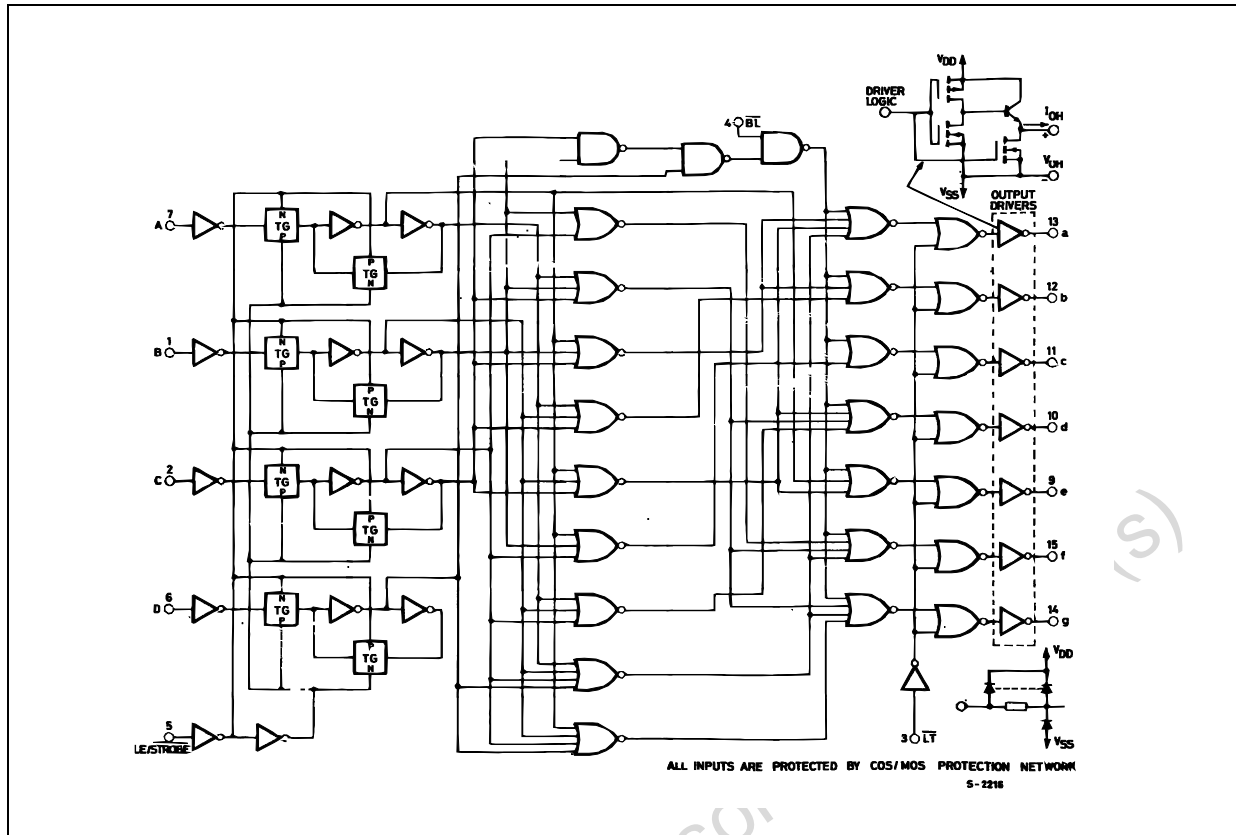
PIN DESCRIPTION

| PIN No | SYMBOL | NAME AND FUNCTION |
|---------------------------|--------------------------------|------------------------------|
| 7, 1, 2, 6 | A, B, C, D | Bcd Inputs |
| 13, 12, 11, 10, 9, 15, 14 | a to g | 7-Segment Outputs |
| 3 | LT | Lamp Test Input |
| 4 | BL | Blanking Input |
| 5 | LE/ $\overline{\text{STROBE}}$ | Latch Enable or Strobe Input |
| 8 | V _{SS} | Negative Supply Voltage |
| 16 | V _{DD} | Positive Supply Voltage |

FUNCTIONAL DIAGRAM



LOGIC DIAGRAM



TRUTH TABLE

| LE | \overline{BL} | \overline{LT} | D | C | B | A | a | b | c | d | e | f | g | DISPLAY |
|----|-----------------|-----------------|---|---|---|---|---|---|---|---|---|---|---|---------|
| X | X | L | X | X | X | X | H | H | H | H | H | H | H | 8 |
| X | L | H | X | X | X | X | L | L | L | L | L | L | L | Blank |
| L | H | H | L | L | L | L | H | H | H | H | H | H | L | 0 |
| L | H | H | L | L | L | H | L | H | H | L | L | L | L | 1 |
| L | H | H | L | L | H | L | H | H | L | H | H | L | H | 2 |
| L | H | H | L | L | H | H | H | H | H | H | L | L | H | 3 |
| L | H | H | L | H | L | L | L | H | H | L | L | H | H | 4 |
| L | H | H | L | H | L | H | H | L | H | H | L | H | H | 5 |
| L | H | H | L | H | H | L | L | L | H | H | H | H | H | 6 |
| L | H | H | L | H | H | H | H | H | H | L | L | L | L | 7 |
| L | H | H | H | L | L | L | H | H | H | H | H | H | H | 8 |
| L | H | H | H | L | L | H | H | H | H | L | L | H | H | 9 |
| L | H | H | H | L | H | L | L | L | L | L | L | L | L | Blank |
| L | H | H | H | L | H | H | L | L | L | L | L | L | L | Blank |
| L | H | H | H | H | L | L | L | L | L | L | L | L | L | Blank |
| L | H | H | H | H | L | H | L | L | L | L | L | L | L | Blank |
| L | H | H | H | H | H | L | L | L | L | L | L | L | L | Blank |
| L | H | H | H | H | H | H | L | L | L | L | L | L | L | Blank |
| H | H | H | X | X | X | X | | | | * | | | | * |

X: Don't Care

ABSOLUTE MAXIMUM RATINGS

| Symbol | Parameter | Value | Unit |
|-----------|---|------------------------|------|
| V_{DD} | Supply Voltage | -0.5 to +22 | V |
| V_I | DC Input Voltage | -0.5 to $V_{DD} + 0.5$ | V |
| I_I | DC Input Current | ± 10 | mA |
| P_D | Power Dissipation per Package | 200 | mW |
| | Power Dissipation per Output Transistor | 100 | mW |
| T_{op} | Operating Temperature | -55 to +125 | °C |
| T_{stg} | Storage Temperature | -65 to +150 | °C |

Absolute Maximum Ratings are those values beyond which damage to the device may occur. Functional operation under these conditions is not implied.

All voltage values are referred to V_{SS} pin voltage.

RECOMMENDED OPERATING CONDITIONS

| Symbol | Parameter | Value | Unit |
|----------|-----------------------|---------------|------|
| V_{DD} | Supply Voltage | 3 to 20 | V |
| V_I | Input Voltage | 0 to V_{DD} | V |
| T_{op} | Operating Temperature | -55 to 125 | °C |

DC SPECIFICATIONS

| Symbol | Parameter | Test Condition | | | | Value | | | | | | Unit | | |
|-----------------|-----------------------------------|-----------------------|-----------------------|---------------------------------|------------------------|-----------------------|---------------|-----------|-------------|---------|--------------|---------|---------|---|
| | | V _I (V) | V _O (V) | I _{OL} (μ A) | V _{DD} (V) | T _A = 25°C | | | -40 to 85°C | | -55 to 125°C | | | |
| | | | | | | Min. | Typ. | Max. | Min. | Max. | Min. | | Max. | |
| I _L | Quiescent Current | 0/5 | | | 5 | | 0.04 | 5 | | 150 | | 150 | μ A | |
| | | 0/10 | | | 10 | | 0.04 | 10 | | 300 | | 300 | | |
| | | 0/15 | | | 15 | | 0.04 | 20 | | 600 | | 600 | | |
| | | 0/20 | | | 20 | | 0.08 | 100 | | 3000 | | 3000 | | |
| V _{OH} | High Level Output Voltage | 0/5 | | | 5 | 4.95 | | | 4.95 | | 4.95 | | V | |
| | | 0/10 | | | 10 | 9.95 | | | 9.95 | | 9.95 | | | |
| | | 0/15 | | | 15 | 14.95 | | | 14.95 | | 14.95 | | | |
| V _{OL} | Low Level Output Voltage | 5/0 | | | 5 | | 0.05 | | | 0.05 | | 0.05 | V | |
| | | 10/0 | | | 10 | | 0.05 | | | 0.05 | | 0.05 | | |
| | | 15/0 | | | 15 | | 0.05 | | | 0.05 | | 0.05 | | |
| V _{IH} | High Level Input Voltage | | 0.5/3.8 | | 5 | 3.5 | | | 3.5 | | 3.5 | | V | |
| | | | 1/8.8 | | 10 | 7 | | | 7 | | 7 | | | |
| | | | 1.5/13.8 | | 15 | 11 | | | 11 | | 11 | | | |
| V _{IL} | Low Level Input Voltage | | 3.8/0.5 | | 5 | | | 1.5 | | 1.5 | | 1.5 | V | |
| | | | 8.8/1 | | 10 | | | 3 | | 3 | | 3 | | |
| | | | 13.8/1.5 | | 15 | | | 4 | | 4 | | 4 | | |
| V _{OH} | Output Drive Voltage | | | 0 | 5 | 4.1 | 4.57 | | 4.1 | | 4.1 | | V | |
| | | | | 5 | | | 4.24 | | | | | | | |
| | | | | 10 | | | 3.6 | 4.12 | | 3.3 | | 3.3 | | |
| | | | | 15 | | | | 3.94 | | | | | | |
| | | | | 20 | | | 2.8 | 3.75 | | 2.5 | | 2.5 | | |
| | | | | 25 | | | 3.54 | | | | | | | |
| | | | | 0 | 10 | 9.1 | 9.58 | | 9.1 | | 9.1 | | | V |
| | | | | 5 | | | | 9.26 | | | | | | |
| | | | | 10 | | | 8.75 | 9.17 | | 8.45 | | 8.45 | | |
| | | | | 15 | | | | 9.04 | | | | | | |
| | | | | 20 | | | 8.1 | 8.90 | | 7.8 | | 7.8 | | |
| | | | | 25 | | | 8.75 | | | | | | | |
| | | | | 0 | 15 | 14.1 | 14.59 | | 14.1 | | 14.1 | | | V |
| | | | | 5 | | | | 14.27 | | | | | | |
| | | | | 10 | | | 13.75 | 14.18 | | 13.45 | | 13.45 | | |
| | | 15 | | | | 14.07 | | | | | | | | |
| | | 20 | | 13.1 | | 13.95 | | 12.8 | | 12.8 | | | | |
| | | 25 | | | 13.80 | | | | | | | | | |
| I _{OL} | Output Sink Current | 0/5 | 0.4 | | 5 | 0.44 | 1 | | 0.36 | | 0.36 | | mA | |
| | | 0/10 | 0.5 | | 10 | 1.1 | 2.6 | | 0.9 | | 0.9 | | | |
| | | 0/15 | 1.5 | | 15 | 3 | 6.8 | | 2.4 | | 2.4 | | | |
| I _I | Input Leakage Current (any input) | 0/18 | | | 18 | | $\pm 10^{-5}$ | ± 0.1 | | ± 1 | | ± 1 | μ A | |
| C _I | Input Capacitance (any input) | | | | | | 5 | 7.5 | | | | | pF | |

The Noise Margin for both "1" and "0" level is: 1V min. with V_{DD}=5V, 2V min. with V_{DD}=10V, 2.5V min. with V_{DD}=15V

HCF4511B

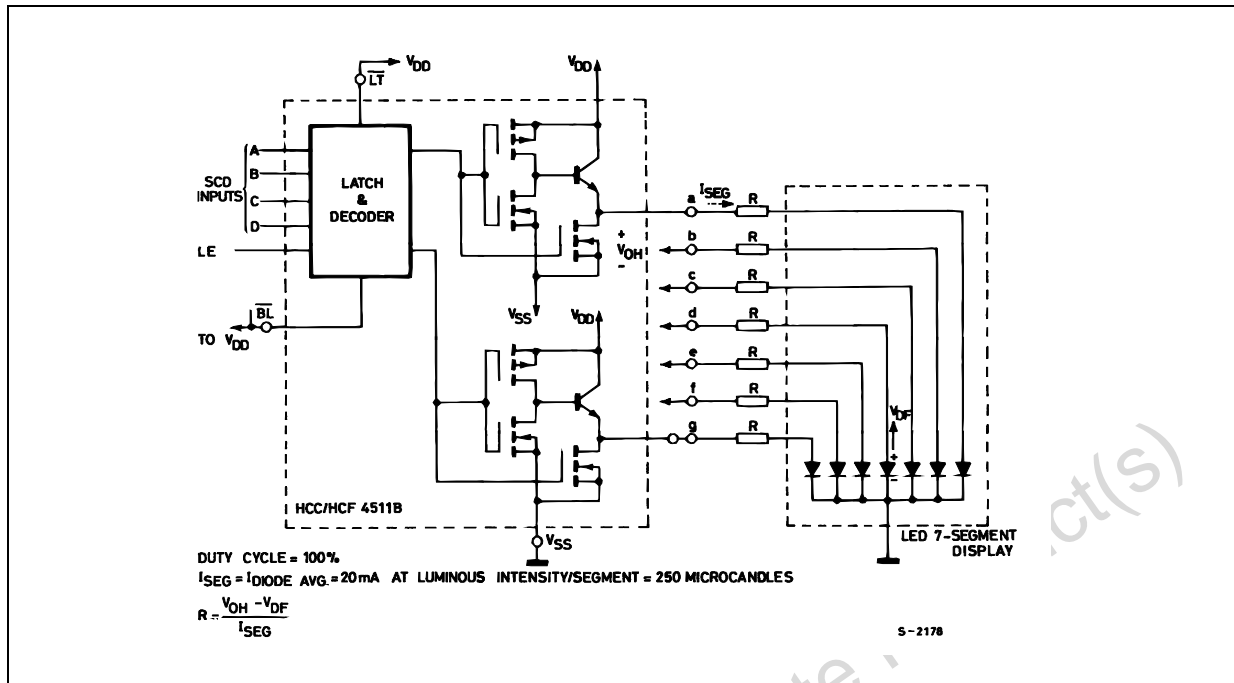
DYNAMIC ELECTRICAL CHARACTERISTICS ($T_{amb} = 25^{\circ}\text{C}$, $C_L = 50\text{pF}$, $R_L = 200\text{K}\Omega$, $t_r = t_f = 20\text{ ns}$)

| Symbol | Parameter | TEST CONDITION | | Value (*) | | | Unit |
|-------------|-------------------------------|-----------------|--|-----------|------|------|------|
| | | V_{DD} (V) | | Min. | Typ. | Max. | |
| t_{PHL} | Propagation Delay Time (DATA) | 5 | | | 520 | 1040 | ns |
| | | 10 | | | 210 | 420 | |
| | | 15 | | | 150 | 300 | |
| t_{PLH} | Propagation Delay Time (DATA) | 5 | | | 660 | 1320 | ns |
| | | 10 | | | 260 | 520 | |
| | | 15 | | | 180 | 360 | |
| t_{PHL} | Propagation Delay Time (BL) | 5 | | | 350 | 700 | ns |
| | | 10 | | | 175 | 350 | |
| | | 15 | | | 125 | 250 | |
| t_{PLH} | Propagation Delay Time (BL) | 5 | | | 400 | 800 | ns |
| | | 10 | | | 175 | 350 | |
| | | 15 | | | 150 | 300 | |
| t_{PHL} | Propagation Delay Time (LT) | 5 | | | 250 | 500 | ns |
| | | 10 | | | 125 | 250 | |
| | | 15 | | | 85 | 170 | |
| t_{PLH} | Propagation Delay Time (LT) | 5 | | | 150 | 300 | ns |
| | | 10 | | | 75 | 150 | |
| | | 15 | | | 50 | 100 | |
| t_{TLH} | Transition Time | 5 | | | 40 | 80 | ns |
| | | 10 | | | 30 | 60 | |
| | | 15 | | | 20 | 50 | |
| t_{THL} | Transition Time | 5 | | | 125 | 310 | ns |
| | | 10 | | | 75 | 185 | |
| | | 15 | | | 65 | 160 | |
| t_{setup} | Setup Time | 5 | | 150 | 75 | | ns |
| | | 10 | | 70 | 35 | | |
| | | 15 | | 40 | 20 | | |
| t_{hold} | Hold Time | 5 | | 0 | -75 | | ns |
| | | 10 | | 0 | -35 | | |
| | | 15 | | 0 | -20 | | |
| t_w | Strobe Pulse Width | 5 | | 400 | 200 | | ns |
| | | 10 | | 160 | 80 | | |
| | | 15 | | 100 | 50 | | |

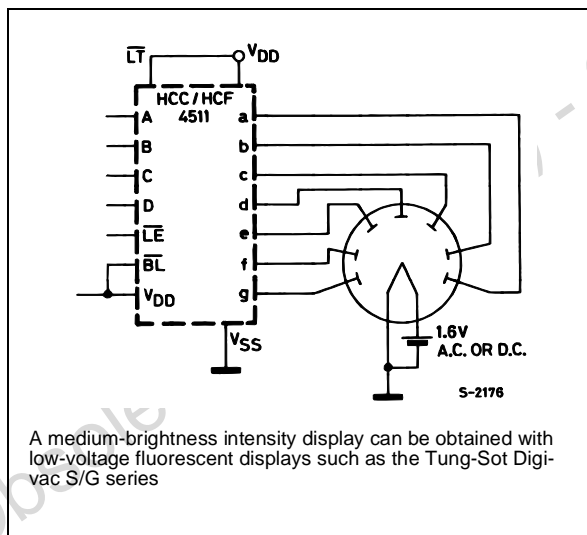
(*) Typical temperature coefficient for all V_{DD} value is 0.3 %/°C.

TYPICAL APPLICATIONS (Interfacing with various displays)

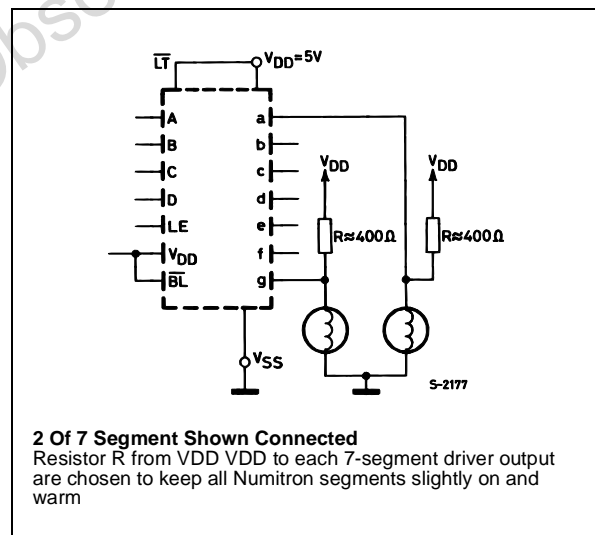
Driving Common-cathode 7 Segment Led Displays



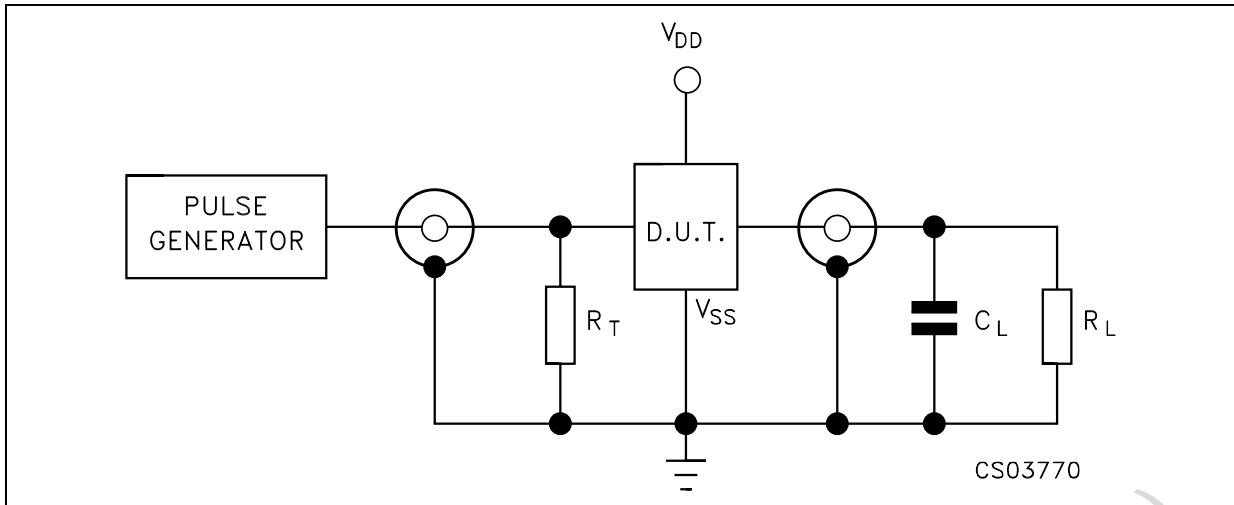
Driving Low-voltage Fluorescent Displays



Driving Incandescent Displays

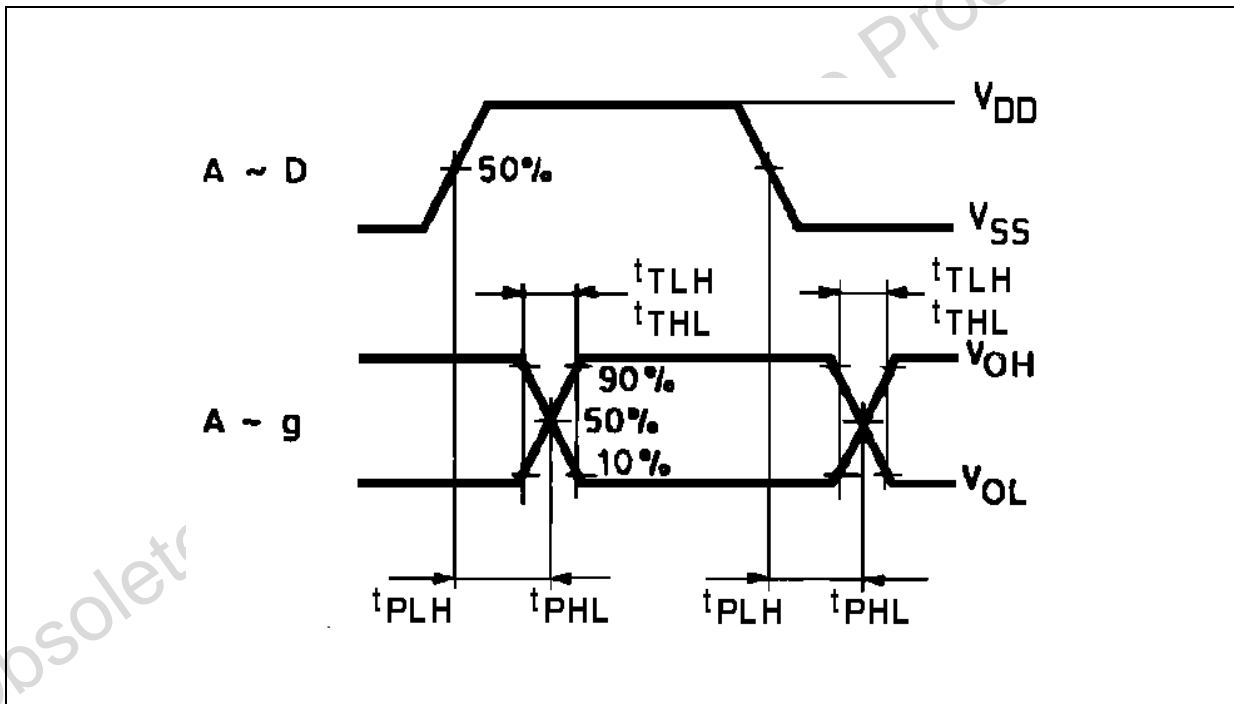


TEST CIRCUIT

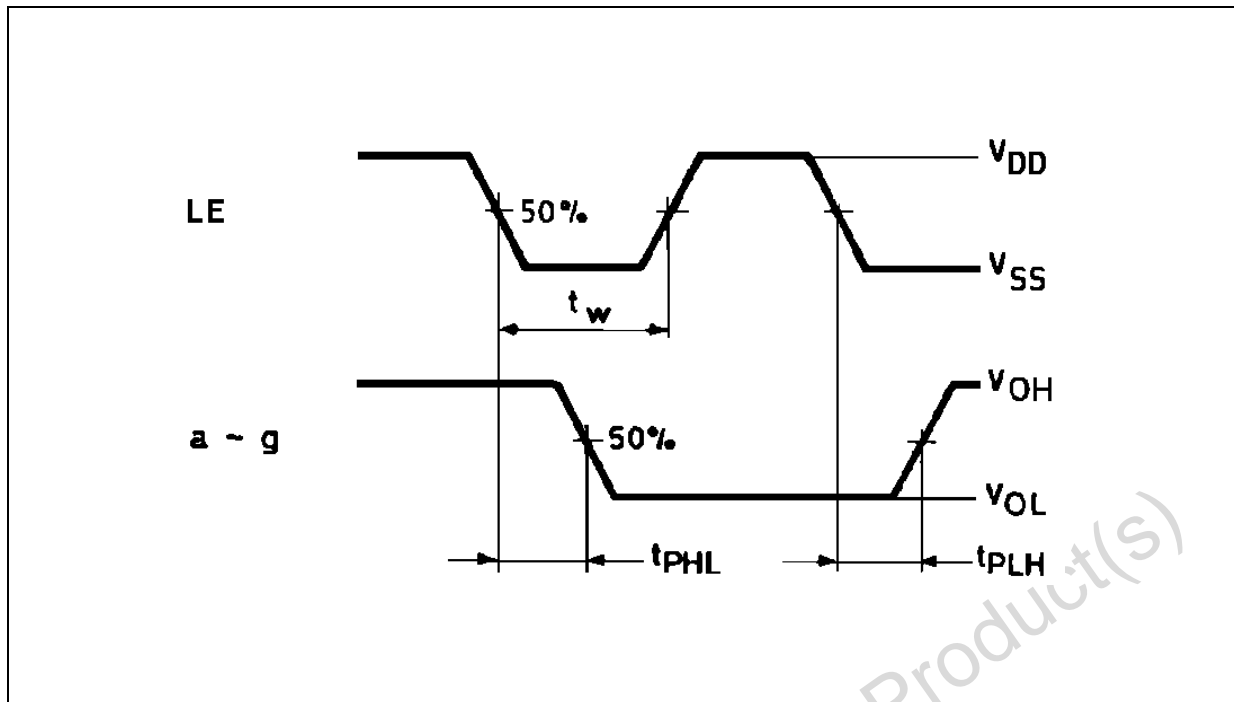


$C_L = 50\text{pF}$ or equivalent (includes jig and probe capacitance)
 $R_L = 200\text{K}\Omega$
 $R_T = Z_{OUT}$ of pulse generator (typically 50Ω)

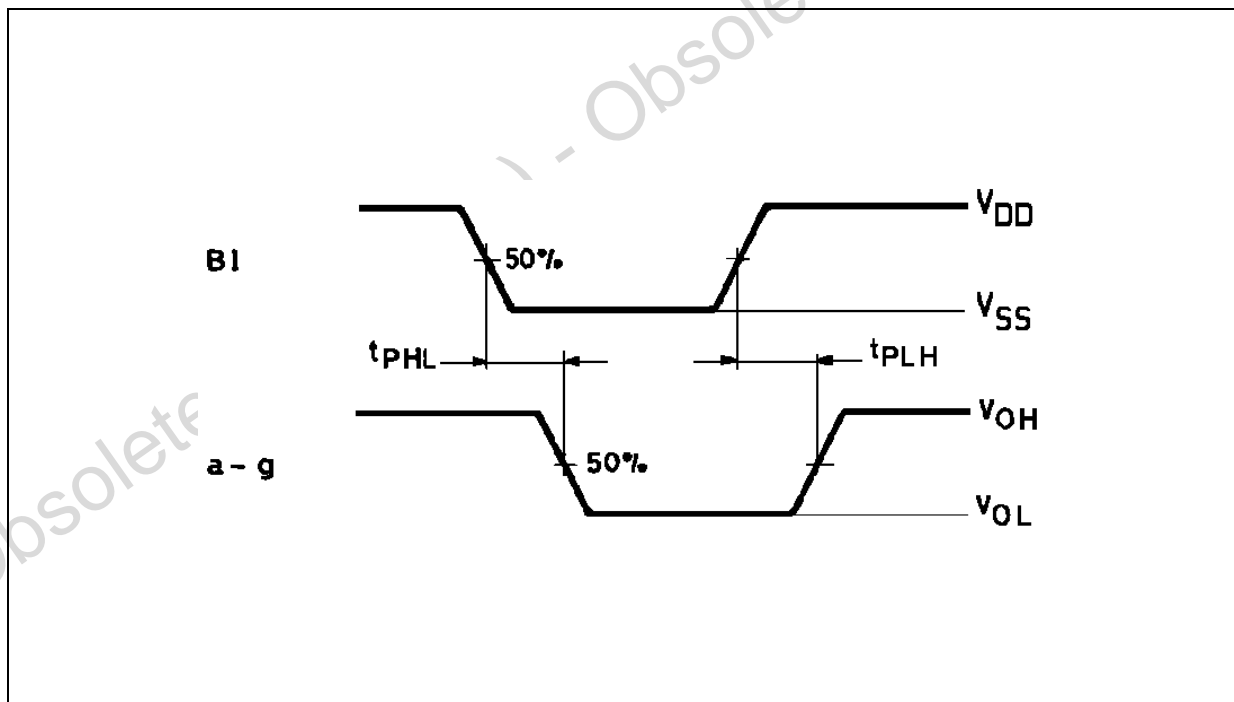
WAVEFORM 1 : PROPAGATION DELAY TIMES ($f=1\text{MHz}$; 50% duty cycle)



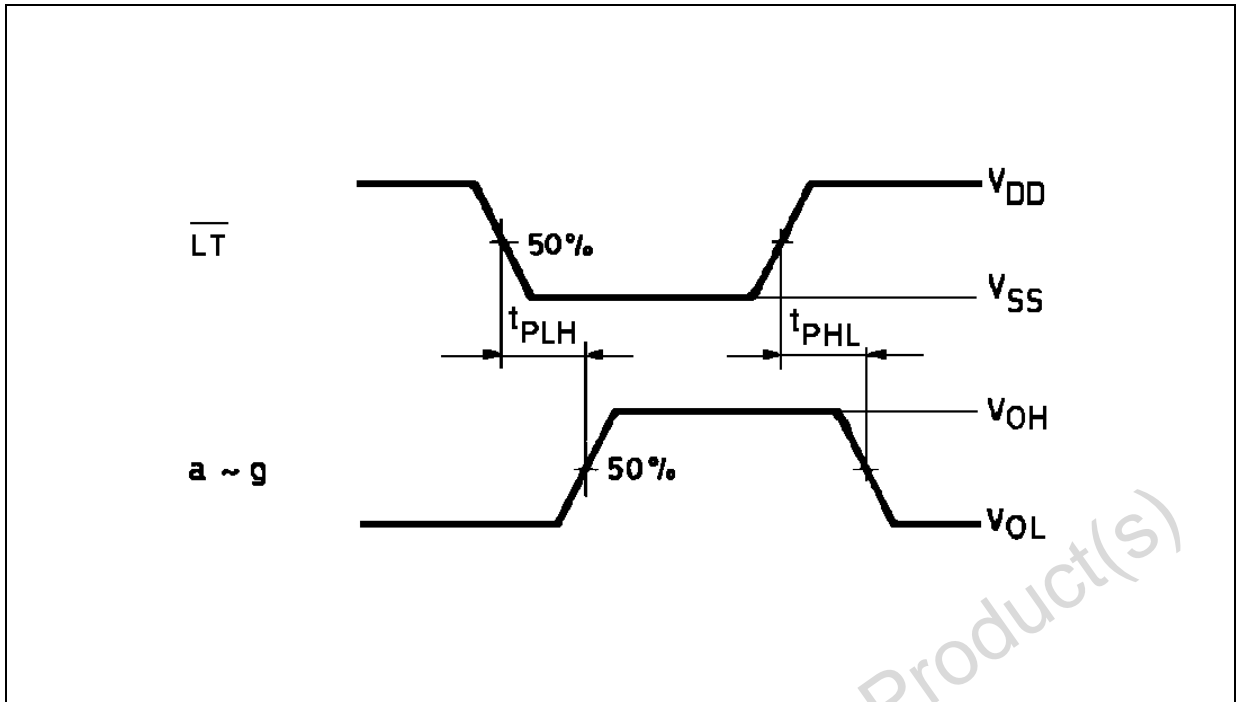
WAVEFORM 2 : MINIMUM PULSE WIDTH (f=1MHz; 50% duty cycle)



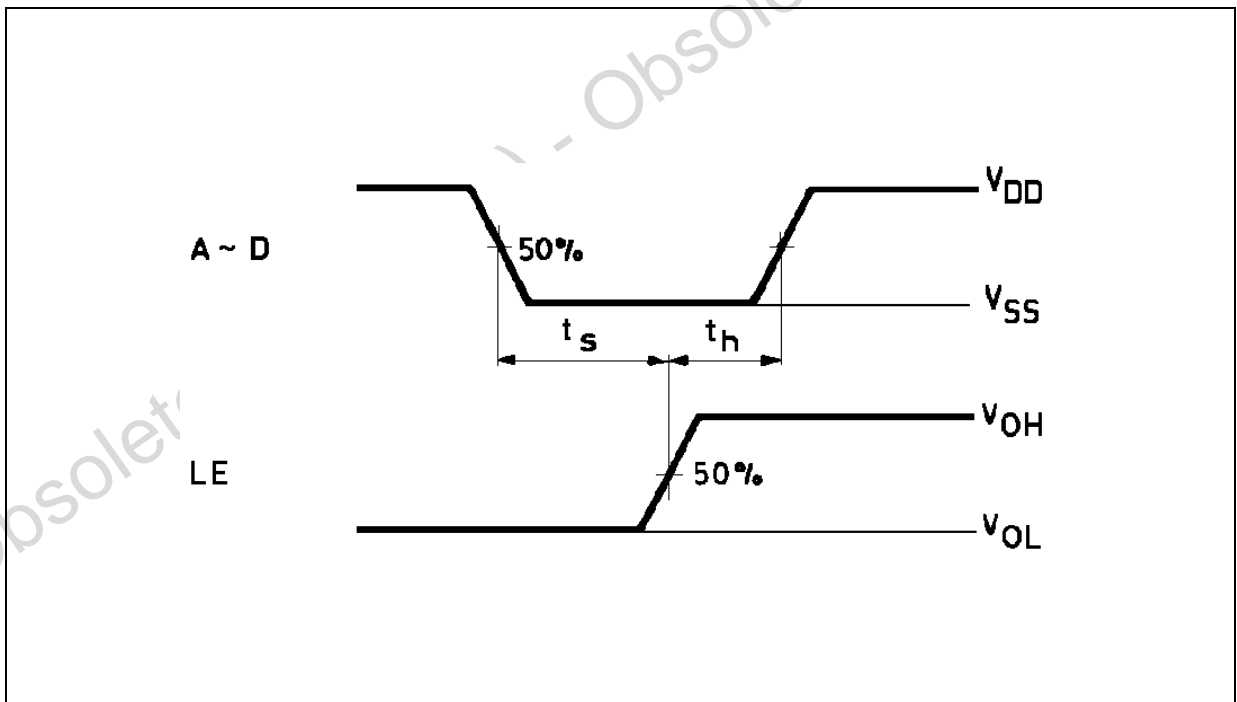
WAVEFORM 3 : PROPAGATION DELAY TIMES (f=1MHz; 50% duty cycle)



WAVEFORM 4 : PROPAGATION DELAY TIMES (f=1MHz; 50% duty cycle)

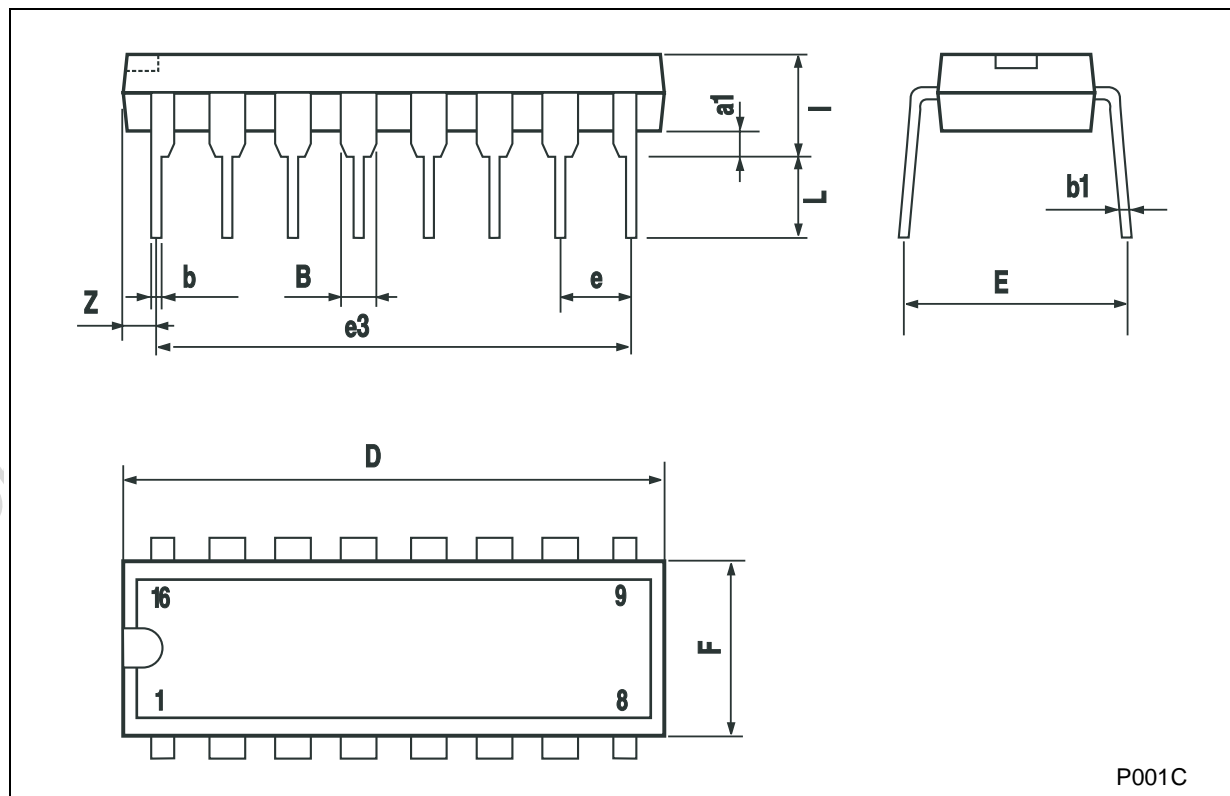


WAVEFORM 5 : MINIMUM SETUP AND HOLD TIME (f=1MHz; 50% duty cycle)



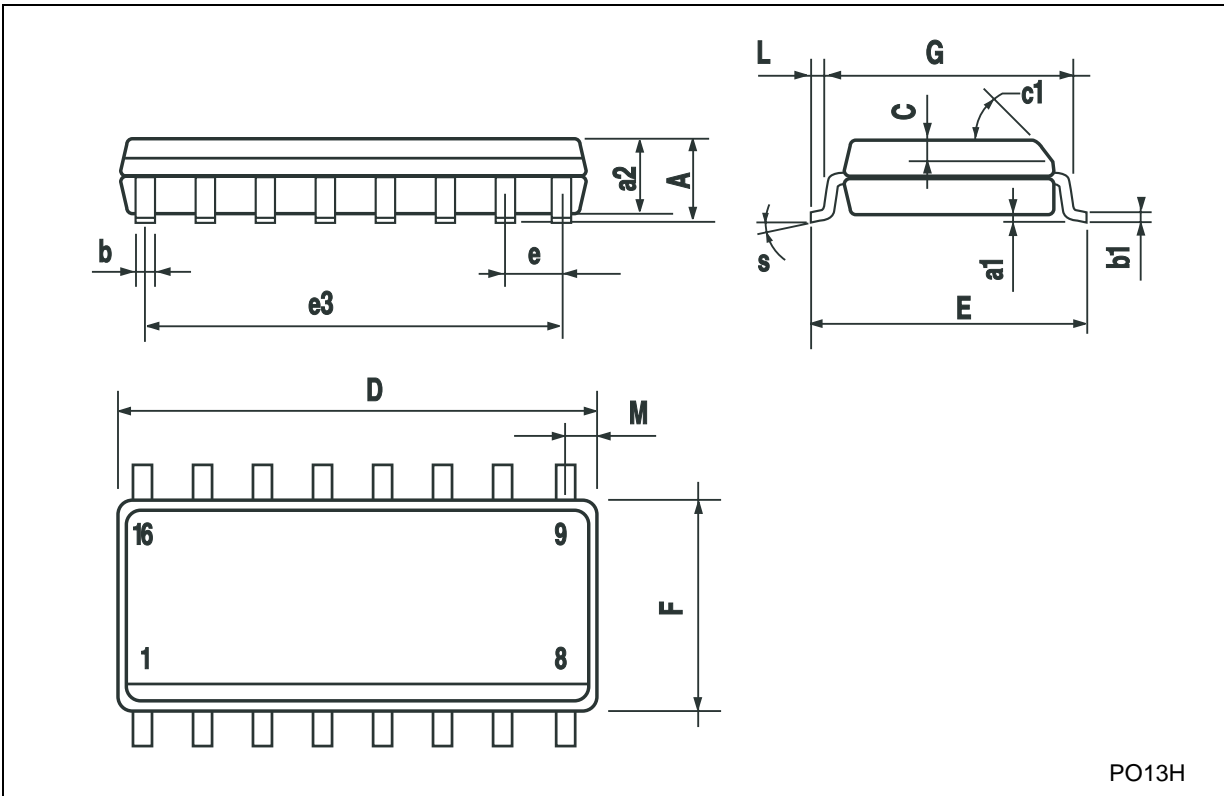
Plastic DIP-16 (0.25) MECHANICAL DATA

| DIM. | mm. | | | inch | | |
|------|------|-------|------|-------|-------|-------|
| | MIN. | TYP | MAX. | MIN. | TYP. | MAX. |
| a1 | 0.51 | | | 0.020 | | |
| B | 0.77 | | 1.65 | 0.030 | | 0.065 |
| b | | 0.5 | | | 0.020 | |
| b1 | | 0.25 | | | 0.010 | |
| D | | | 20 | | | 0.787 |
| E | | 8.5 | | | 0.335 | |
| e | | 2.54 | | | 0.100 | |
| e3 | | 17.78 | | | 0.700 | |
| F | | | 7.1 | | | 0.280 |
| I | | | 5.1 | | | 0.201 |
| L | | 3.3 | | | 0.130 | |
| Z | | | 1.27 | | | 0.050 |



SO-16 MECHANICAL DATA

| DIM. | mm. | | | inch | | |
|------|------------|------|------|-------|-------|-------|
| | MIN. | TYP. | MAX. | MIN. | TYP. | MAX. |
| A | | | 1.75 | | | 0.068 |
| a1 | 0.1 | | 0.2 | 0.003 | | 0.007 |
| a2 | | | 1.65 | | | 0.064 |
| b | 0.35 | | 0.46 | 0.013 | | 0.018 |
| b1 | 0.19 | | 0.25 | 0.007 | | 0.010 |
| C | | 0.5 | | | 0.019 | |
| c1 | 45° (typ.) | | | | | |
| D | 9.8 | | 10 | 0.385 | | 0.393 |
| E | 5.8 | | 6.2 | 0.228 | | 0.244 |
| e | | 1.27 | | | 0.050 | |
| e3 | | 8.89 | | | 0.350 | |
| F | 3.8 | | 4.0 | 0.149 | | 0.157 |
| G | 4.6 | | 5.3 | 0.181 | | 0.208 |
| L | 0.5 | | 1.27 | 0.019 | | 0.050 |
| M | | | 0.62 | | | 0.024 |
| S | 8° (max.) | | | | | |



PO13H

Information furnished is believed to be accurate and reliable. However, STMicroelectronics assumes no responsibility for the consequences of use of such information nor for any infringement of patents or other rights of third parties which may result from its use. No license is granted by implication or otherwise under any patent or patent rights of STMicroelectronics. Specifications mentioned in this publication are subject to change without notice. This publication supersedes and replaces all information previously supplied. STMicroelectronics products are not authorized for use as critical components in life support devices or systems without express written approval of STMicroelectronics.

© The ST logo is a registered trademark of STMicroelectronics

© 2002 STMicroelectronics - Printed in Italy - All Rights Reserved
STMicroelectronics GROUP OF COMPANIES

Australia - Brazil - Canada - China - Finland - France - Germany - Hong Kong - India - Israel - Italy - Japan - Malaysia - Malta - Morocco
Singapore - Spain - Sweden - Switzerland - United Kingdom - United States.

© <http://www.st.com>