

TABLE 1		
DASH NO	CENTER CONTACT/ INTMD CONTACT TYPE	FIG NO
-1	SOCKET/PIN	1
-2	PIN/SOCKET	2
-3	SOCKET/PIN	
-4	PIN/SOCKET	3
-5	SOCKET/PIN	
-6	PIN/SOCKET	4
-7	SOCKET/PIN	
-8	PIN/SOCKET	

TABLE 2					
CABLE GROUP NO <sup>A</sup> / <sub>B</sub>	CABLES ACCOMMODATED	A DIM	B DIA	C HEX	ASSEMBLE PER
-201	M17/176-00002	1.43	.334	.255	TAI-162
-202	TWC-78-1, TROMPETER				
-203	TWC-124-1A, TROMPETER				
-204	10602, RAYCHEM				
-205	TWAC-78-1F2, TROMPETER				
-206	7826D0130, RAYCHEM				
-208	202-3927, MICRODOT				
-209	202-3942, MICRODOT				
-212	2524E0114, RAYCHEM				
-217	GC875TM24H, GRUMMAN				
-218	EPD22188B, RAYCHEM				
-219	2526D1114, RAYCHEM				
-220	GC875RR1, GRUMMAN				
-221	10614, RAYCHEM				
-222	10613, RAYCHEM				
-223	HMS2-1149, HUGHES				

DATA CONTAINED IN THIS DOCUMENT IS PROPRIETARY TO TROMPETER ELECTRONICS INC. AND SHALL NOT BE DISCLOSED, COPIED OR USED FOR PROCUREMENT OR MANUFACTURE WITHOUT EXPRESS WRITTEN PERMISSION OF TROMPETER ELECTRONICS INC.

REVISIONS		305-1236	SH 1
REV	DESCRIPTION	DATE	APPROVED
D	REVISED PER ECD 14808	11/26/02	Wm

**RED INDICATES ORIGINAL**

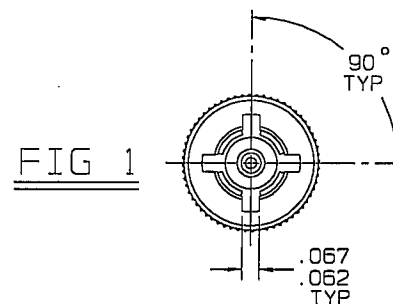


FIG 2

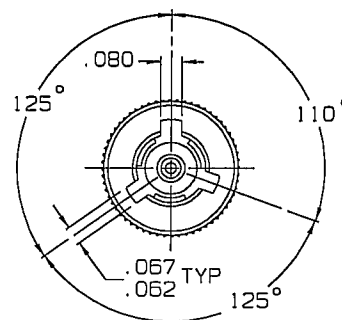


FIG 3

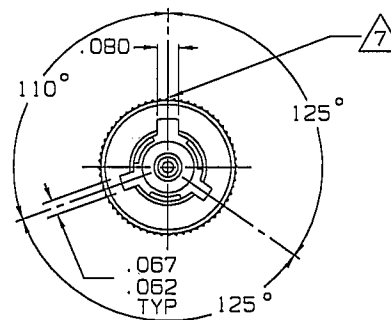
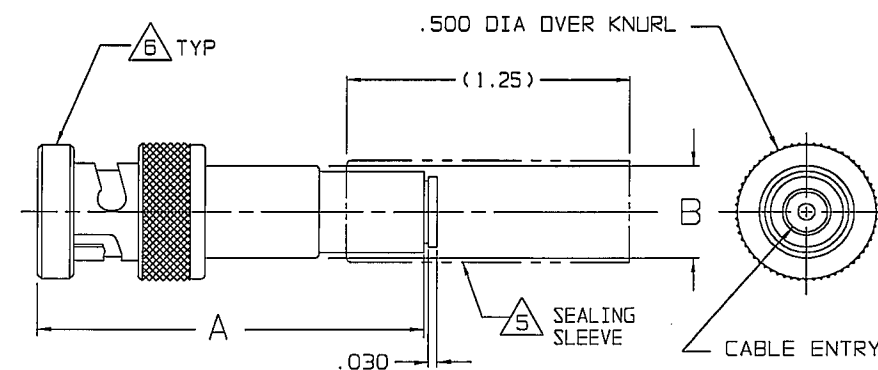
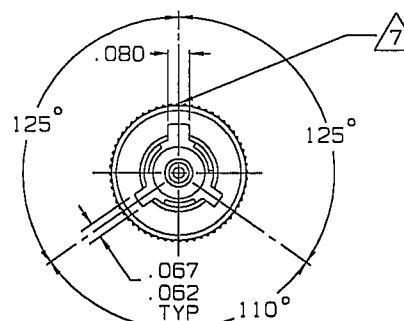
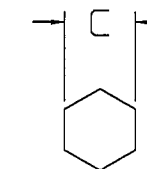


FIG 4



-3-221 SHOWN



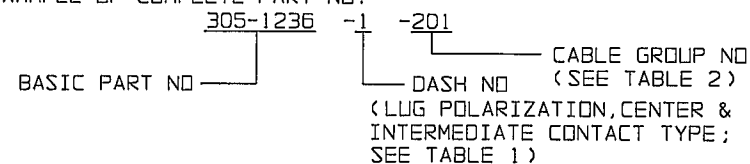
RECOMMENDED  
HEX CRIMP

- △ CHECK WITH CABLE MANUFACTURER FOR OUTGASSING PROPERTIES OF THE SELECTED CABLE
- 7. ALL MATERIALS MEET THE OUTGASSING REQUIREMENTS OF NASA SPECIFICATION SP-R-0022A AND THE REQUIREMENTS OF TEI'S SPACE RATED SPECIFICATION TT-09

- △ THE ONE WIDE (.080) SLOT LOCATION IS SHOWN BY A BLUE MARKER INK ASTERISK ON THE O.D. OF THE BAYNET SLEEVE GUARD-RING FOR -3 AND SUBSEQUENT DASH NUMBERS

- △ SEALING SLEEVE & CRIMP BUSHING SUPPLIED LOOSE WITH EACH CONNECTOR EXCEPT NOT USED ON -205, -208 & -223

4. EXAMPLE OF COMPLETE PART NO:



3. CONCENTRIC TWINAX 4 PIECE ASSY, FULL CRIMP CABLE PLUG, SOCKET CENTER CONTACT AND PIN INTERMEDIATE CONTACT OR PIN CENTER CONTACT AND SOCKET INTERMEDIATE CONTACT

2. FINISH: TFS-1U (500 HOURS SALT SPRAY; NICKEL)

1. ALL DIM ARE IN INCHES

INTERPRET DRAWING PER MIL-STD-100 DIMENSIONS ARE IN INCHES AND INCLUDE FINISH THICKNESS UNLESS OTHERWISE SPECIFIED		TOL: UNLESS SPECIFIED .XX ±.02 .XXX ±.010 .XXXX ±.015 ANGLES		<b>TROMPETER</b> ELECTRONICS, INC.
DRAWN AAH	DATE 11-21-02	MATERIAL:	TITLE: PL455AC/FLP/FLS/PP/PS/RP/RS/WP/WS SPACE RATED	
CHECKED Q.	DATE 11-21-02	FINISH:	SIZE CAGE CODE <b>B 14949</b>	DRAWING NO. 305-1236
DUAL TYPED P	DATE 11/26/02		SCALE NONE	DATE: 4/28/99
APPROVED Wm	DATE 11/25/02	DO NOT SCALE DWG	SHEET 1C	REV. D
CAD FILE NO. 305-1236D				

NEXT ASSY