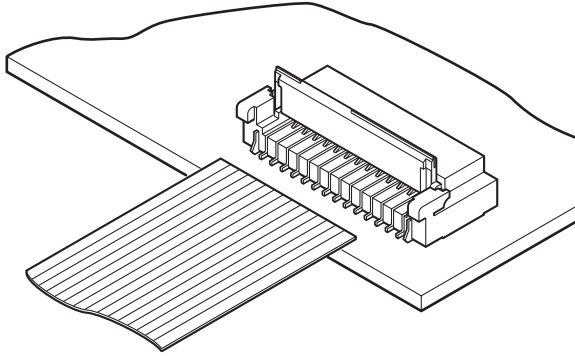


# FX CONNECTOR

0.3mm pitch/Connectors for FPC



**Non-ZIF type connector for FPC's, with only 2.25mm height when mounted on the PC board. Temporary retention mechanism and flip-lock device provide good operational efficiency.**

- Good for high density mounting
- Heat resisting design suitable for surface mounting
- Easy mounting operation
- Embossed taping for automatic mounting

## Specifications

- Current rating: 0.2A AC, DC
- Voltage rating: 50V AC, DC
- Temperature range: -25°C to +85°C  
(including temperature rise in applying electrical current)
- Contact resistance: Initial value/50m Ω max.  
After environmental testing/50m Ω max.  
(variation from initial value)
- Insulation resistance: 50M Ω min.
- Withstanding voltage: 200V AC/minute
- Applicable FPC: Conductor pitch/0.3mm  
<0.6mm pitch staggered>  
Conductor width/0.3mm  
Mating part thickness/0.2±0.03mm

Note: FPC to be actually used should be checked for applicability.

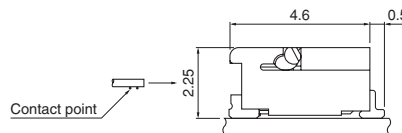
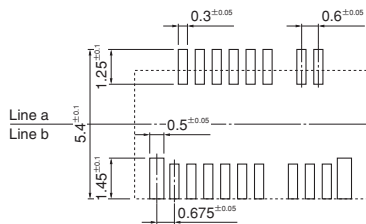
- \* Compliant with RoHS.
- \* Refer to "General Instruction and Notice when using Terminals and Connectors" at the end of this catalog.
- \* Contact JST for details.

## Standards

Recognized E60389

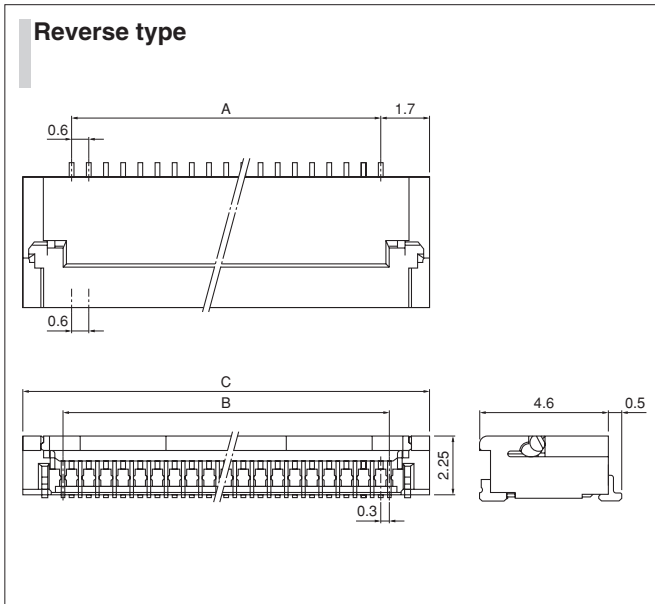
Certified LR20812

### PC board layout (viewed from component side) and Assembly layout



- Note: 1. Tolerances are non-cumulative: ±0.05mm for all centers.  
2. The dimensions above should serve as a guideline. Contact JST for details.

## Connector



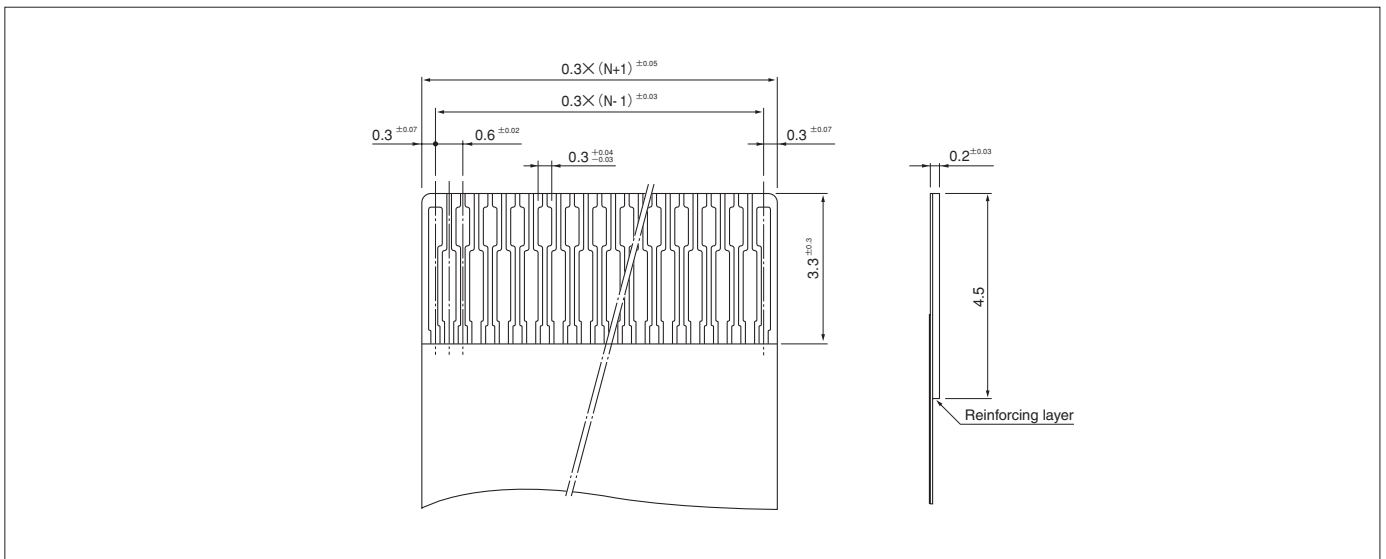
Circuits	Model No.	Dimensions (mm)			Q'ty / reel
		A	B	C	
15	<b>15FX-RSM1-S-TB</b>	3.6	4.2	7.0	3,000
21	<b>21FX-RSM1-S-TB</b>	5.4	6.0	8.8	3,000
23	<b>23FX-RSM1-S-TB</b>	6.0	6.6	9.4	3,000
25	<b>25FX-RSM1-S-TB</b>	6.6	7.2	10.0	3,000
27	<b>27FX-RSM1-S-TB</b>	7.2	7.8	10.6	3,000
33	<b>33FX-RSM1-S-TB</b>	9.0	9.6	12.4	3,000
39	<b>39FX-RSM1-S-TB</b>	10.8	11.4	14.2	3,000
45	<b>45FX-RSM1-S-TB(12)</b>	12.6	13.2	16.0	2,500
51	<b>51FX-RSM1-S-TB</b>	14.4	15.0	17.8	3,000
57	<b>57FX-RSM1-S-TB</b>	16.2	16.8	19.6	3,000

### Material and Finish

Contact: Copper alloy, copper-undercoated, tin-plated (reflow treatment)  
Housing: LCP, UL94V-0  
Solder tab: Copper alloy, copper-undercoated, tin-plated (reflow treatment)  
Cover: Heat-resisting polyamide, UL94V-0

**RoHS compliance** This product displays (LF)(SN) on a label.  
Note: Contact JST for gold-plated products.

## Lead section dimensions of FPC



Note: N--Number of circuits