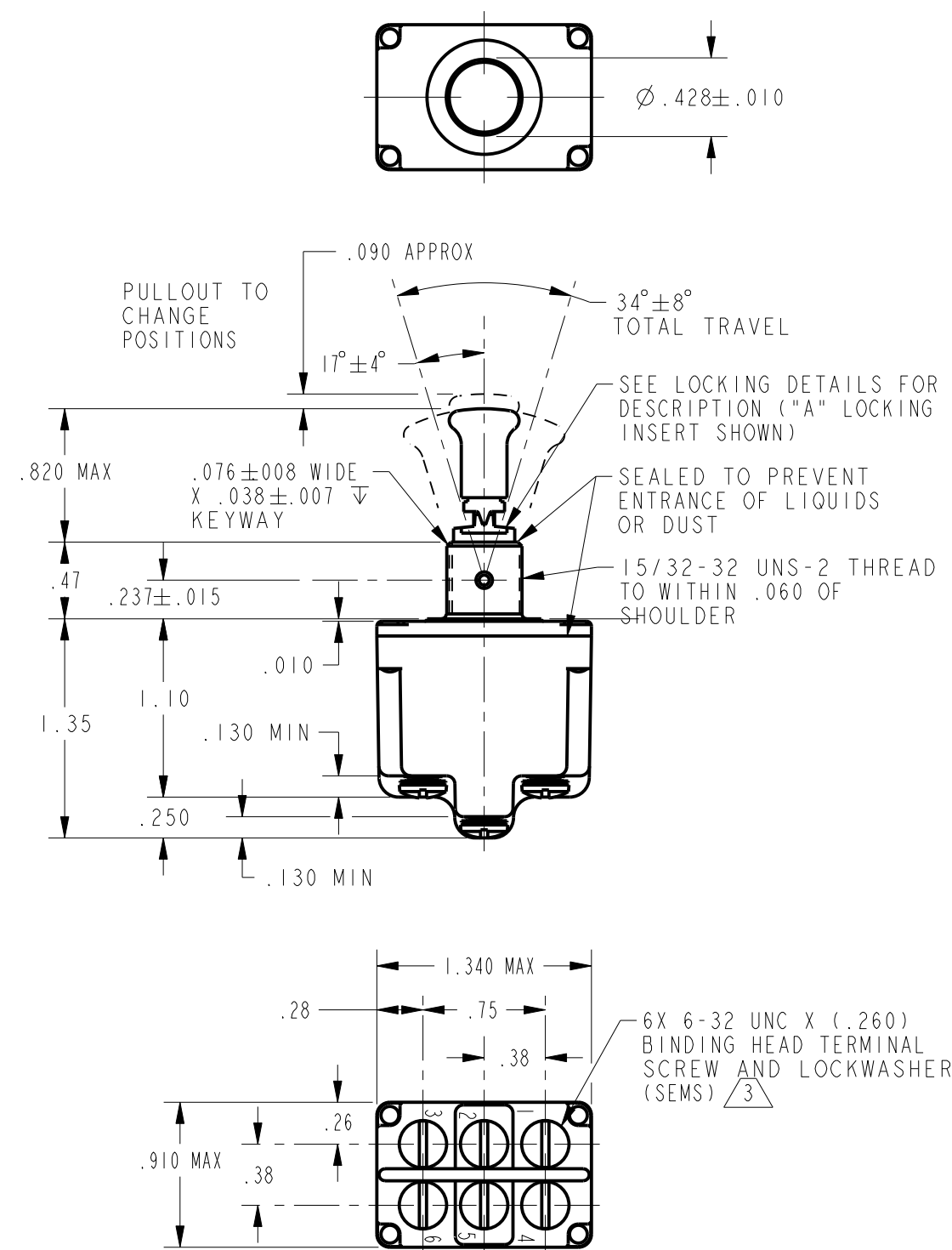


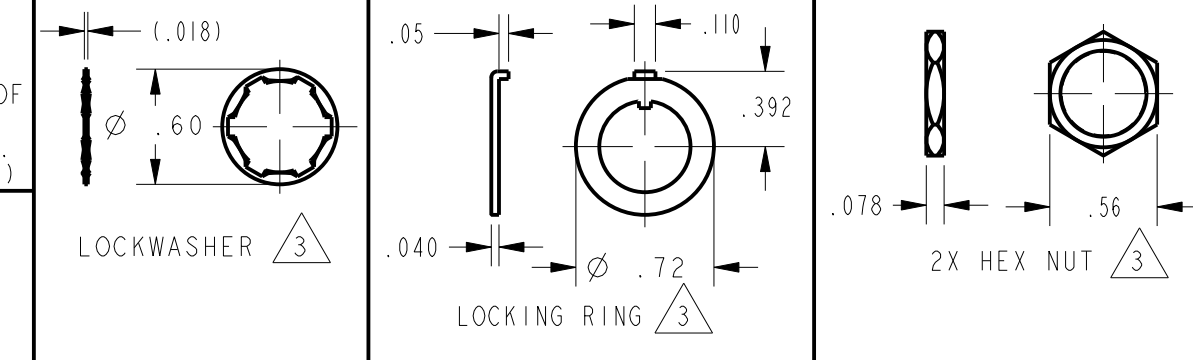
HONEYWELL  
PART NUMBER

2TL222 SERIES CHART 2

REV	DOCUMENT	CHANGED BY	CHECK
10	0010276	CVS 29DEC04	AK



2TL222-1A	CATALOG LISTING <sup>6</sup>	AVAILABLE LOCKING COMBINATIONS FOR CONFIGURATION SEE LETTERED DETAILS	CIRCUIT MADE WITH TOGGLE LEVER IN			CURRENT CAPACITY (AMPS)								
			KEYWAY SIDE (1-2, 4-5)	CENTER (1-2, 4-5)	OPPOSITE KEYWAY (2-3, 5-6)	RESISTIVE LOAD		LAMP LOAD		IND. LOAD				
2TL222-1B	2TL222-1	A,B,D,E,F,G,H,J,K,L,M,N,P	ON	OFF	ON	28	125	250	125	250	28	125	28	125
2TL222-1D	2TL222-1	A,B,D,E,F,G,H,J,K,L,M,N,P	ON	OFF	ON	(REFER TO L191 FOR UL RATING)								
2TL222-1E	2TL222-2	D,F,G	OFF	NONE	ON	(REFER TO L191 FOR UL RATING)								
2TL222-1F	2TL222-3	D,F,G	ON	NONE	ON	(REFER TO L191 FOR UL RATING)								
2TL222-1G	2TL222-2I	E,F,K,M	NONE	OFF	ON	(REFER TO L191 FOR UL RATING)								
2TL222-1H	2TL222-3I	E,F,K,M	NONE	ON	ON	(REFER TO L191 FOR UL RATING)								
2TL222-1J	2TL222-4	F	MOM OFF	NONE	ON	(REFER TO L192 FOR UL RATING)								
2TL222-1K	2TL222-5	E,F,K,L,M,N	MOM ON	OFF	ON	(REFER TO L192 FOR UL RATING)								
2TL222-1L	2TL222-6	F	MOM ON	NONE	OFF	(REFER TO L192 FOR UL RATING)								
2TL222-1M	2TL222-7	E,L,N	MOM ON	OFF	MOM ON	(REFER TO L192 FOR UL RATING)								
2TL222-1N	2TL222-8	F	MOM ON	NONE	ON	(REFER TO L192 FOR UL RATING)								
2TL222-1P	2TL222-5I	E	NONE	ON	MOM ON	(REFER TO L192 FOR UL RATING)								
2TL222-2D	2TL222-6I	E	MOM ON	OFF	NONE	(REFER TO L192 FOR UL RATING)								
2TL222-2F	"A"		LOCKED IN THREE POSITIONS											
2TL222-2G	"B"		LOCKED IN CENTER AND EXTREME POS. (KEYWAY SIDE)											
2TL222-3D	"D"		LOCKED OUT OF CENTER POSITION											
2TL222-3F	"E"		LOCKED IN CENTER POSITION											
2TL222-3G	"F"		LOCKED IN EXTREME POS. (OPP. KEYWAY)											
2TL222-2IE	"G"		LOCKED IN EXTREME POS. (KEYWAY SIDE)											
2TL222-2IF	"H"		LOCKED OUT OF CENTER AND EXTREME POS. (KEYWAY SIDE)											
2TL222-2IK	"J"		LOCKED OUT OF CENTER AND EXTREME POS. (OPP. KEYWAY)											
2TL222-2IM	"K"		LOCKED IN CENTER AND EXTREME POS. (OPP. KEYWAY)											
2TL222-3IE	"L"		LOCKED OUT OF EXTREME POS. (KEYWAY SIDE)											
2TL222-3IF	"M"		LOCKED OUT OF AND INTO EXTREME POS. (OPP. KEYWAY)											
2TL222-3IK	"N"		LOCKED OUT OF EXTREME POS. (OPP. KEYWAY)											
2TL222-3IM	"P"		LOCKED OUT OF AND INTO EXTREME POS. (KEYWAY SIDE)											
2TL222-4F														
2TL222-5E														
2TL222-5F														
2TL222-5K														
2TL222-5L														
2TL222-5M														
2TL222-5N														
2TL222-6F														
2TL222-7E	FAA-PMA <sup>8</sup>													
2TL222-7L														
2TL222-7N														
2TL222-8F														
2TL222-5IE														
2TL222-6IE														



- NOTES
- SWITCHES ARE CAPABLE OF WITHSTANDING A TEMPERATURE OF 160°F CONTINUOUSLY AT FULL RATED LOAD
  - CIRCUIT DESIGNATION, MICRO SWITCH CATALOG LISTING MARKED ON SIDE OF SWITCH
  - FURNISHED UNASSEMBLED
  - FOR TERMINAL COVER SEE MICRO SWITCH CATALOG LISTING 5PA8
  - KEYWAY SHOWN ON LEFT SIDE
  - SUFFIX LETTER MUST BE ADDED FOR DESIRED TYPE OF TOGGLE LOCKING. SEE CHART FOR AVAILABLE LOCKING COMBINATIONS
  - APPLIES ONLY TO "ON" AND "MOMENTARY ON" POSITIONS
  - FAA-PMA MUST BE MARKED ON SWITCH
  - FOR MANUFACTURING DETAIL SEE THE CORRESPONDING ASSEMBLY DRAWING FOR EACH LISTING FOR FAA-PMA

DESIGN UNITS: INCH	DRAWN	LJK	29 NOV 99	<b>Honeywell</b>					
TOLERANCES UNLESS NOTED:	CHECK	JAF	29 NOV 99						
NO PLACE X ± 0.400	THIS DRAWING COVERS A PROPRIETARY ITEM AND IS THE PROPERTY OF HONEYWELL. THIS DRAWING IS NOT TO BE COPIED OR USED WITHOUT THE PERMISSION OF HONEYWELL.			TITLE					
ONE PLACE .X ± 0.100				<b>SWITCH, TOGGLE</b>					
TWO PLACE .XX ± 0.006							SIZE	TYPE	DRAWING NAME
THREE PLACE .XXX ± 0.003							C	I	2TL222 SERIES CHT2
FOUR PLACE .XXXX ± 0.0015	INTERPRET PER ASME Y14.5M-1994 OTHER HONEYWELL ENGINEERING STANDARDS MAY APPLY			REV					
ANGLES X ± 1	Pro/ENGINEER 2D SCALE - WEIGHT .18 LB APPROX SHEET 1 OF 1			10					

L191 15A 125, 250, 277 VAC 1/2HP 125 VAC 1HP 250, 277 VAC 5A 125 VAC "L"	CE UL
L192 10A 125, 250, 277 VAC 1/4HP 125 VAC 1/2HP 250, 277 VAC 3A 125 VAC "L"	CE UL