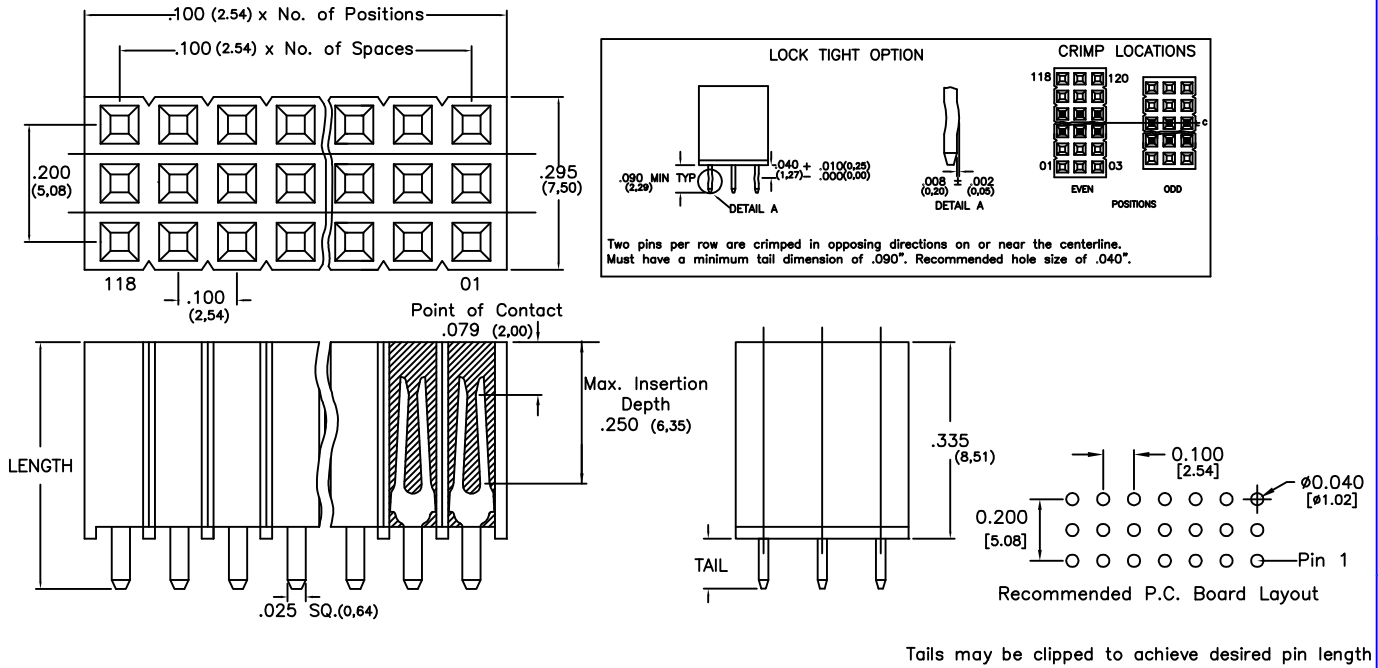
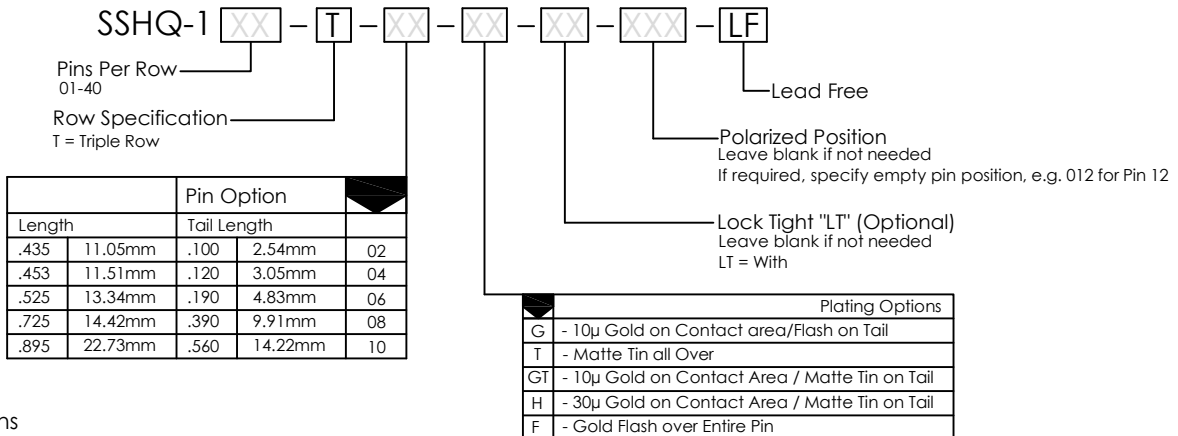


Major League Electronics .100 cl Socket Strip - Straight using .025" sq. pins



Ordering Information

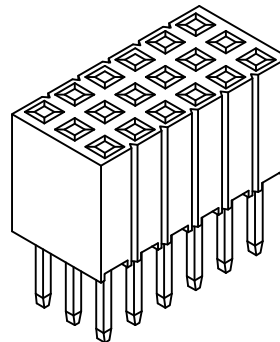


Specifications

Insertion Depth: .145 (3.68) to .250 (6.35)
 Insertion Force - Per Contact - H Plating:
 6oz. (1.67N) avg with .025 (0.64mm) sq. pin
 Withdrawal Force - Per Contact - H Plating:
 5oz. (1.39N) avg with .025 (0.64mm) sq. pin
 Current Rating: 3.0 Ampere
 Insulation Resistance: 1000MΩ Min.
 Dielectric Withstanding: 600V AC
 Contact Resistance: 20 mΩ Max.
 Operating Temperature: -40°C to + 105°C
 Max. Process Temperature:
 Peak: 260°C up to 20 secs.
 Process: 230°C up to 60 secs.
 Wave: 260°C up to 6 secs.
 Manual Solder: 350°C up to 5 secs.

Materials

Contact Material: Phosphor Bronze
 Insulator Material: Nylon 6T
 Plating: Au or Sn over 50µ" (1.27) Ni



Mates with:

BSTC, TSHCR,
 BSTCM, TSHCRE,
 BSTCR, TSHCRSM,
 BSTCRSM, TSHR,
 BSTS, TSHRE,
 LBSTCM, TSHS,
 LTSHCR, TSHSCM,
 LTSHCRE, TSHSM,
 LTSHR, ULTSHSM,
 LTSHRE, ULTSHC,
 LTSHSM, ULTHSCR
 TSHC,

Products cut to specific sizes are uncancellable/nonreturnable

Parts are subject to change without notice

SSHQ-1-T SERIES

.100 cl Triple Row - Straight
 Socket Strip - using .025" sq. pins

18 JAN 07

Scale
 NTS

UNLESS OTHERWISE SPECIFIED
 DIMENSIONS IN INCHES (MM)
 TOLERANCES ARE:

ONE PLACE DECIMALS ±.100
 TWO PLACE DECIMALS ±.010
 THREE PLACE DECIMALS ±.005
 FOUR PLACE DECIMALS ±.0020
 ANGLES
 3/3



4235 Earnings Way, New Albany, Indiana, 47150, USA
 1-800-782-3486 (USA/Canada/Mexico)

Tel: 812-944-7244
 Fax: 812-944-7268

E-mail: mle@mlelectronics.com
 Web: www.mlelectronics.com

Revision
 C

Sheet
 1/2


Revisions

Revision B - (12th Jun 2009)

Tail Length option '10' amended from .590" (14.97mm)
to .560" (14.22mm)

Revision C - (13th Aug 2009)

Length option '04' amended from .455" (11.56mm) to .453" (11.51mm)
Length option '10' amended from .925" (23.50mm) to .895" (22.73mm)

| | | | | |
|--|---|---|---------------|--------------|
| | SSHQ-1-T SERIES | .100 cl Triple Row - Straight Socket Strip - using .025" sq. pins | 18 JAN 07 | Scale NTS |
| UNLESS OTHERWISE SPECIFIED DIMENSIONS IN INCHES (MM) TOLERANCES ARE: ONE PLACE DECIMALS ±.100 TWO PLACE DECIMALS ±.010 THREE PLACE DECIMALS ±.005 FOUR PLACE DECIMALS ±.0020 ANGLES ±.5° |  | 4235 Earnings Way, New Albany, Indiana, 47150, USA 1-800-782-3486 (USA/Canada/Mexico) Tel: 812-944-7244 Fax: 812-944-7268 E-mail: mle@mlelectronics.com Web: www.mlelectronics.com | Revision C | |
| | | | Sheet 2/2 | |