

# TiWi5

## Multi-Standard Module

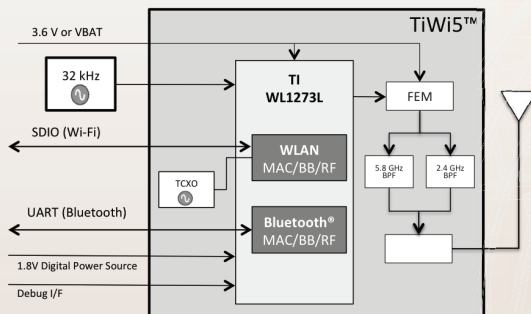
WLAN (802.11 a/b/g/n), Bluetooth®, Bluetooth Low Energy (BLE) and ANT

### TiWi5 KEY FEATURES

- Texas Instruments WiLink™ 6.0 (WL1273L) transceiver
- 2.4 and 5.8 GHz operation
- Supports requirements for WiFi Protected Access (WPA and WPA2.0) and IEEE 802.11i
- Works with IEEE std 802.1x for VPN
- 802.11 a/b/g/n and Bluetooth® 2.1+EDR, 3.0, 4.0 (BLE), and ANT compliant
- Seamless integration with TI OMAP™ application processors

### TiWi5 SPECIFICATIONS

- Dimensions: 13 mm x 18 mm x 1.9 mm
- Operating temperature: -40 to +85° C
- FCC / IC certified (pending)
- ETSI EN 300 328 and EN 301 489 tested (pending)
- 3.0 V to 4.8 V operation
- Power consumption:
  - 165 mA in transmit (65 Mbps OFDM(n))
  - 100 mA in receive
- SDIO and UART interfaces for WLAN and Bluetooth
- Off-module certified antenna options planned, including:
  - SMT chip
  - U.FL with dipole antenna



### WLAN

- 802.11 a/b/g/n/e/i compliant
- Transmit Power: 12.5 dBm, 65 Mbps, OFDM (n)
- RF Sensitivity: -73 dBm, 10% PER, 65 Mbps

### BLUETOOTH

- Bluetooth 1.1, 1.2, 2.0+EDR and 2.1+EDR 3.0 and 4.0 (BLE) and ANT compliant
- Output power Class 1.5
- RF Sensitivity: -92 dBm, GFSK

### ALSO FROM LS RESEARCH

- Pre-certified antennas
- Custom antenna design services
- Full turnkey product development
- EMC certification and testing

## Additional LS Research Information & Support

LSR Homepage  
[www.lsr.com](http://www.lsr.com)

EMC Certification  
[www.lsr.com/certification\\_center](http://www.lsr.com/certification_center)

Product Development  
[www.lsr.com/design\\_services](http://www.lsr.com/design_services)

RF Modules  
[www.lsr.com/products](http://www.lsr.com/products)

Support Forum  
<http://forum.lsr.com>

TiWi™ Wiki  
<http://wiki.lsr.com>

## Ordering Information

Part Number	Description
450-0053	TiWi5 RF Castellation Module
450-0053R	TiWi5 RF Castellation Module, T&R
001-0001	2.4 GHz Dipole Antenna
080-0001	u.fl to SMA Bulkhead cable

## LS Research Authorized Distributors

### Americas

Arrow Electronics  
[www.arrow.com](http://www.arrow.com)

Avnet Electronics Marketing  
[www.avnetexpress.com](http://www.avnetexpress.com)

Digi-Key Corporation  
[www.digikey.com](http://www.digikey.com)

Mouser Electronics  
[www.mouser.com](http://www.mouser.com)

### EMEA and Israel

Arrow Electronics  
[www.arrow.com/business-with-arrow.emeasa.html](http://www.arrow.com/business-with-arrow.emeasa.html)

Digi-Key Corporation  
[www.digikey.com](http://www.digikey.com)

EBV Elektronik  
[www.ebv.com](http://www.ebv.com)

Mouser Electronics  
[www.mouser.com](http://www.mouser.com)

Silica  
[www.silica.com](http://www.silica.com)

Telsys  
[www.telsys.co.il](http://www.telsys.co.il)

Important Notice: The products and services of LS Research described herein are sold subject to LS Research standard terms and conditions of sale. Customers are advised to obtain the most current and complete information about LSR products and services before placing orders. LS Research assumes no liability for applications assistance, customer's applications or product designs, software performance, or infringement of patents. The publication of information regarding any other company's products or services does not constitute LS Research's approval, warranty or endorsement thereof.