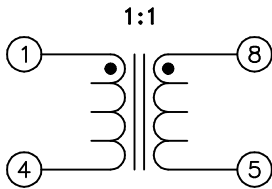
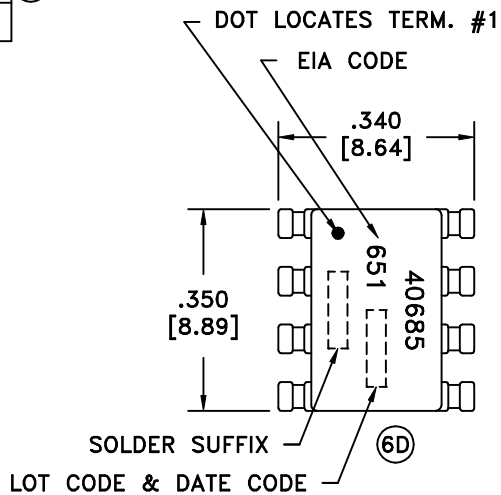
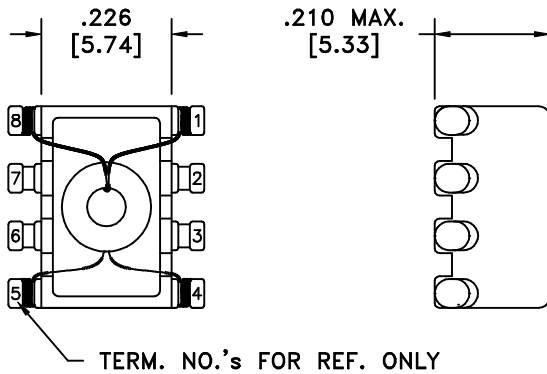
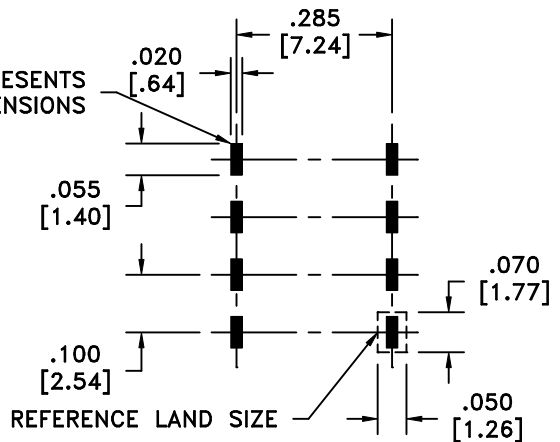


SOLDER SUFFIX	CUSTOMER TERMINAL	RoHS	LEAD(Pb)-FREE	⑥D
LF1	Sn96%, Ag4%	Yes	Yes	



AREA REPRESENTS TERMINAL PAD DIMENSIONS



CUSTOMER TO DETERMINE LAND LAYOUT

**ELECTRICAL SPECIFICATIONS @ 25°C unless otherwise noted:**

- D.C. RESISTANCE (@20°C): 0.6 ohms max., each wind.
- DIELECTRIC RATING: 1500VAC, 1 minute tested by applying 1875VAC for 1 second between 1-8.
- INDUCTANCE: 250uH ±30%, 790kHz, 100mVAC, 1-4, Ls.
- LEAKAGE INDUCTANCE: 0.3uH max., 100kHz, 10mVAC, 1-4(tie 8+5), Ls.
- TURNS RATIO: (1-4):(8-5) = 1:1, ±1%.
- INTERWINDING CAPACITANCE: 35pF max., 100kHz, 10mVAC, 1-8, Cs.
- ⑥B RESONANT FREQUENCY: 5.5MHz, min.
- ⑥B LONGITUDINAL CURRENT: 8.5mADC.

DETAILS SUBJECT TO CHANGE

<b>Midcom, Inc.</b> Watertown, SD USA Toll Free: 800-643-2661 Fax: 605-886-4486	Unless otherwise specified: Tolerances: Fractions: ±1/64 Angles: ±1° Decimals: ±.005 [.13]			DWG.# 40685R-LF1
	DRAWING TITLE <h2 style="text-align: center;">INDUCTOR</h2>	DRAWING NO. ⑥D <h2 style="text-align: center;">40685R-LF1</h2>	REV. 6E 12/06	
This drawing is dual dimensioned. Dimensions in brackets are in millimeters.	REVISIONS: SEE SHEET 1	SCALE ---	SHEET 2 OF 5	