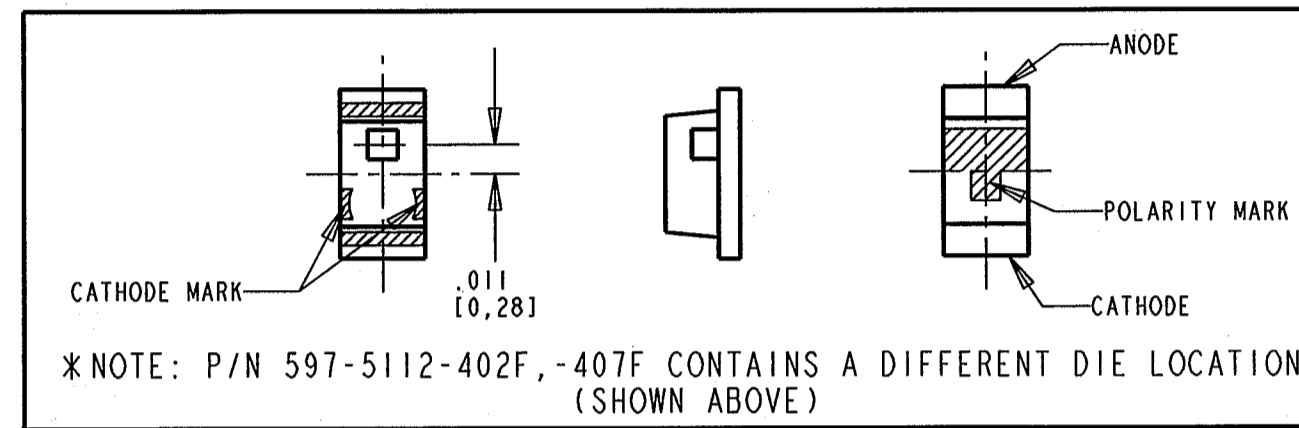
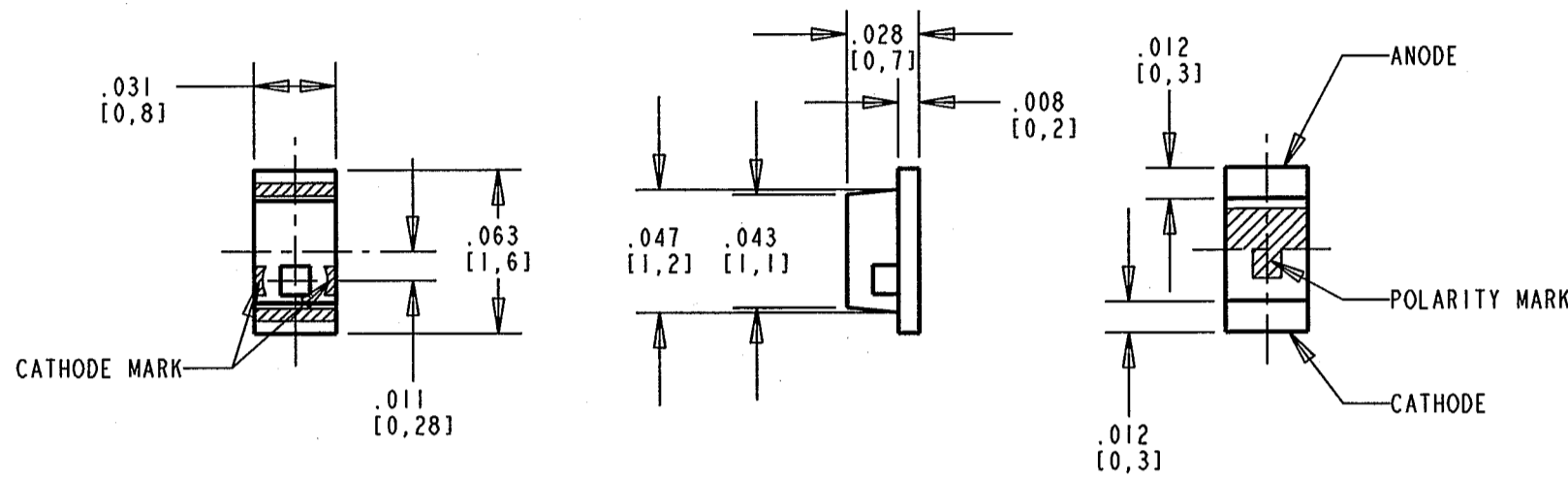
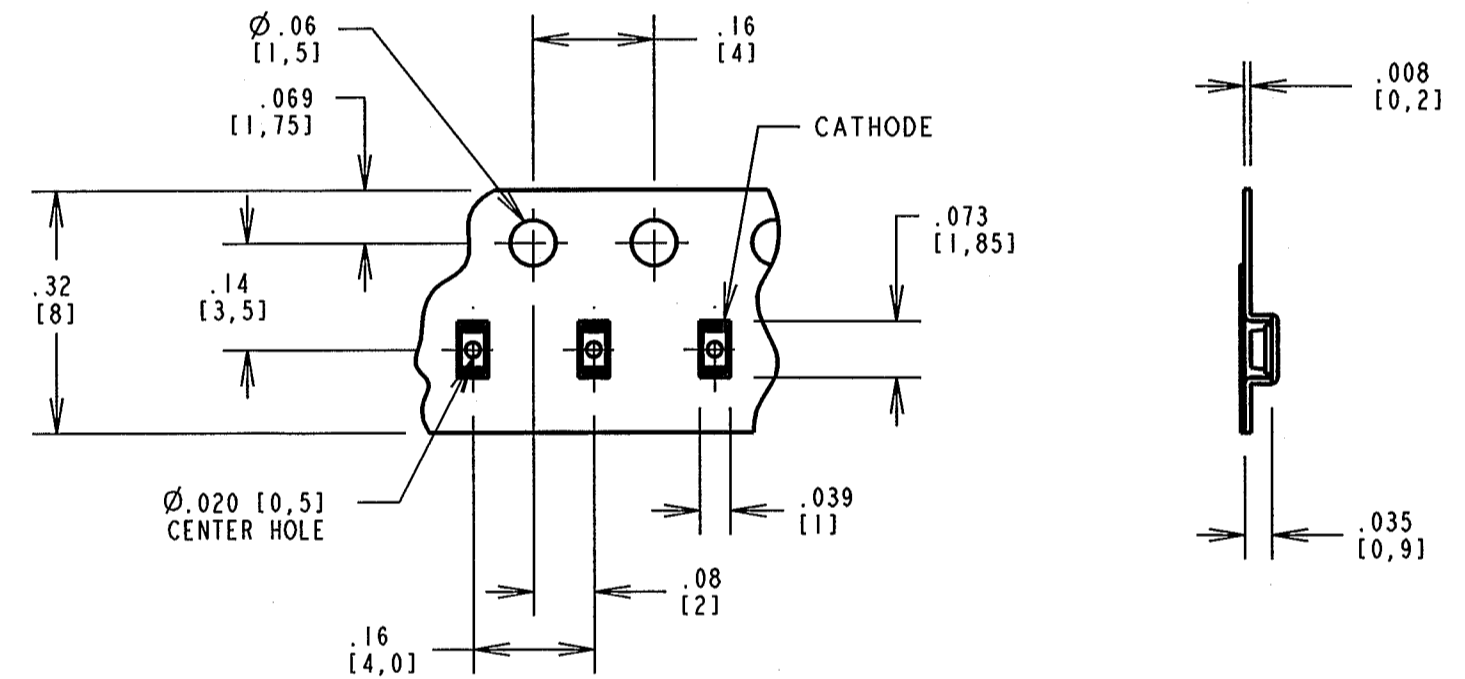
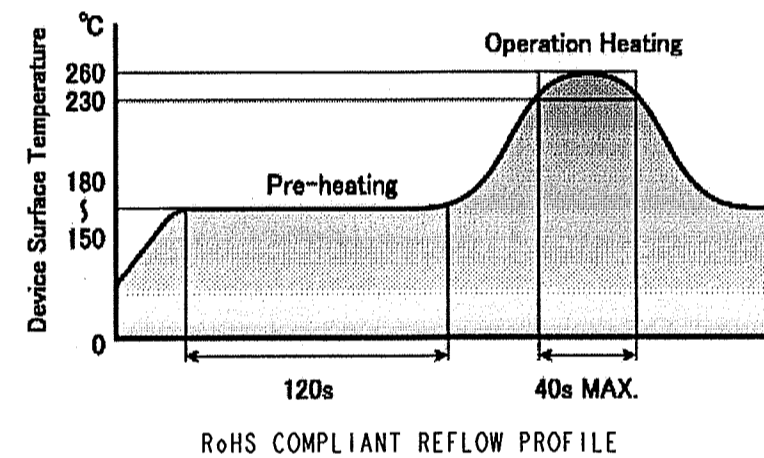
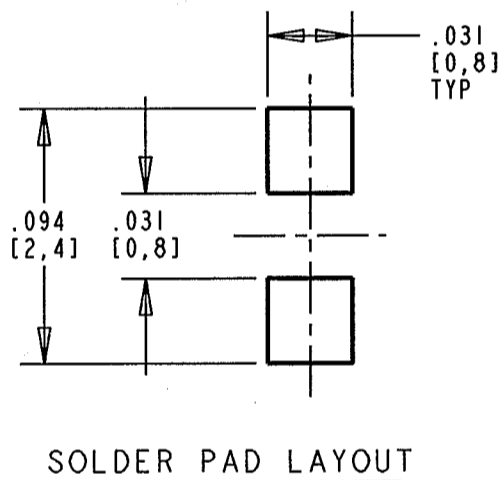


DIALIGHT PART NO.	LED COLOR	LED CHIP MATERIAL	EPOXY COLOR	OPERATING CHARACTERISTICS AT 25° C AMBIENT									
				I _f (mA)	FORWARD VOLTAGE (V)		LUMINOUS INTENSITY (mcd)		REVERSE CURRENT (μA)		PEAK WAVELENGTH (nm)	DOMINANT WAVELENGTH (nm)	VIEWING ANGLE (DEGREES)
					TYP	MAX	MIN	TYP	MAX	V _r =			
597-5004-407F, -402F	BRIGHT RED	AlInGaP	WHITE DIFFUSED	20	1.9	2.4	25	50	100	5 V	635	626	152
597-5112-407F, -402F	RED	AlGaAs		20	1.7	2.3	7.0	11.7	100	4 V	660	647	152
597-5203-407F, -402F	ORANGE	GaAsP		20	2.2	2.8	2.0	3.4	100	4 V	605	606	152
597-5213-407F, -402F	BRIGHT ORANGE	AlInGaP		20	1.9	2.4	25	65	100	5 V	609	605	152
597-5223-407F, -402F	BRIGHT YELLOW	AlInGaP		20	1.9	2.4	25	65	100	5 V	592	590	152
597-5312-407F, -402F	GREEN	GaP		20	2.1	2.8	3.8	6.4	100	4 V	560	567	152
597-5412-407F, -402F	YELLOW-GREEN	GaP		20	2.1	2.8	7.0	11.7	100	4 V	570	572	152

REV	ECN NO	REVISIONS	DRN	CKD	APP	DATE
A	—	NEW RELEASE	TC	—	H.G.	7-16-98
B	—	ON P/N 597-5203-407 GaAsP WAS GaP.	TC	—	M.C.	7-23-98
C	—	ADDED COLORS TO MAX. RATING COLUMNS.	TC	D.C.	M.C.	9-21-98
D	—	ADDED NOTE 5.	TC	D.C.	N.O.	6-9-99
E	—	NOTE 1-GOLD PLATED, OVER NICKEL, COPPER SUBSTRATE ON FR-4 LAMINATE WAS "GOLD PLATED"; ADDED NOTES 6 & 7, RoHS REFLOW PROFILE & -402F P/Ns; ADDED "F" RoHS COMPLIANT SUFFIX TO -407 P/Ns; UPDATED FORMAT	TWC	TC	N.O.	9-22-05
F	—	ADDED DIE LOC FOR 597-5112-402F -407F; MIN LUM. INT. "25" WAS "16" (3X); PEAK WAVELENGTH "635" WAS "630"; ADDED DOM WAVELENGTH VALUES; ADDED ESD SYMBOL; ADDED NOTE 8; P/N 597-5112-40XF DIE WAS "GaAsP".	KLJ	N.O.	MES	4-23-08
G	—	"YELLOW-GREEN" WAS "YELLOW"; "BRIGHT RED" WAS "RED"; "BRIGHT ORANGE" WAS "ORANGE"; "BRIGHT YELLOW" WAS "YELLOW".	KLJ	no.	no.	11-4-08



ATTENTION:
OBSERVE PRECAUTIONS FOR
HANDLING ELECTROSTATIC
SENSITIVE DEVICES

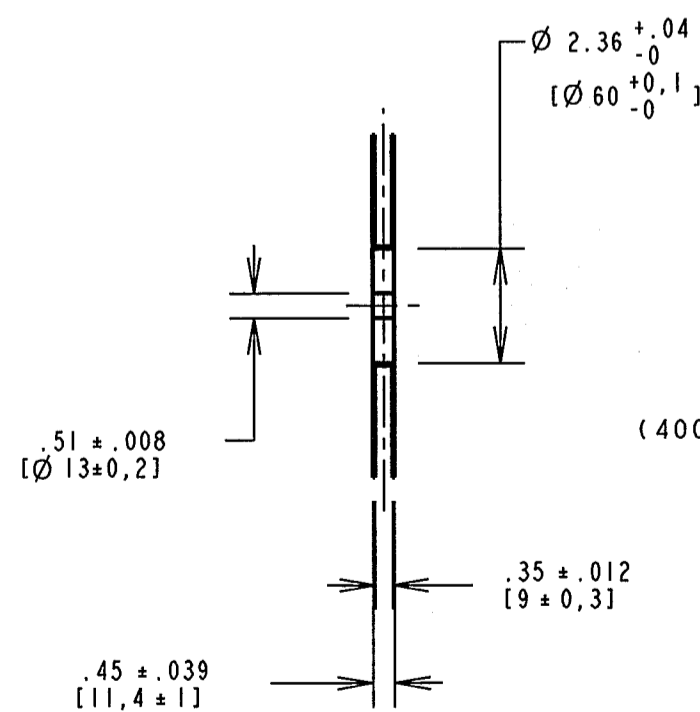


LABEL TO CONTAIN: DIALIGHT LOGO, DIALIGHT CATALOG PART NUMBER, QUANTITY, DATE OF MANUFACTURE, LOT NUMBER, RANK OF LUMINOUS INTENSITY, COUNTRY OF ORIGIN.

ABSOLUTE MAXIMUM RATINGS AT 25° C AMBIENT	BRIGHT RED	BRIGHT ORANGE	BRIGHT YELLOW	RED	ORANGE	GREEN	YELLOW-GREEN	UNITS
POWER DISSIPATION	81			57.5	70	70	70	mW
FORWARD CURRENT	30			25				mA
PEAK FORWARD CURRENT (≤ 1/20 DUTY CYCLE T _w ≤ 1 msec)	100			60				mA
REVERSE VOLTAGE	5			4				V
OPERATING TEMPERATURE	-40 TO +85			-30 TO +85				°C
STORAGE TEMPERATURE	-40 TO +100			-40 TO +100				°C

NOTES:

- SOLDER TERMINALS: GOLD (Au) PLATED, OVER NICKEL (Ni), COPPER (Cu) SUBSTRATE ON FR-4 LAMINATE
- SOLDER ADHERANCE: EACH PAD PER MIL-STD-202E, METHOD 208C.
- TAPE AND REEL AS PER EIA STANDARD 481-1, WITH CATHODE TOWARD SPROCKET.
- PARTS PACKAGED ON 180 mm DIA REEL, 8 mm TAPE, 4000/REEL (SEE SKETCH).
- TAPE AND REEL LEDS MAY REQUIRE RE-TAPING AFTER TWELVE MONTHS.
- DIALIGHT PART NUMBER: 597-5XXX-407F AND 597-XXXX-402F
- THIS PRODUCT IS Pb FREE. IT IS IN COMPLIANCE WITH THE EUROPEAN UNION'S ROHS DIRECTIVE. EACH BAG AND REEL IS MARKED WITH THE RoHS COMPLIANT LABEL P/N 9100-117-0852-99 OR EQUIVALENT
- THIS ASSEMBLY CONTAINS ELECTROSTATIC DISCHARGE SENSITIVE DEVICES (ESDs). MAINTAIN ALL PRECAUTIONARY MEASURES DURING ASSEMBLY, HANDLING, AND STORAGE IN ACCORDANCE WITH IPC-A-610.



**REEL SPECIFICATION
NO SCALE**

THIS DRAWING AND THE CONTENTS HEREIN ARE CONFIDENTIAL AND THE SOLE PROPERTY OF DIALIGHT. REPRODUCTION OF THIS DRAWING OR CONSTRUCTION OF ANY PARTS WITHIN THIS DRAWING ARE FORBIDDEN WITHOUT THE WRITTEN CONSENT OF DIALIGHT.		
SCALE: DRAWING SCALE ALL DIM'S IN: INCHES (MM)	DRAWING NUMBER C-16413	REV G
TOLERANCES: UNLESS OTHERWISE SPECIFIED FRACTIONS: ±1/64 DECIMALS (.XX): ±.01 DECIMALS (.XXX): ±.005 DECIMALS (.XXXX): ±.0005 ANGLES: ±1°	TITLE SMT LED RoHS COMPLIANT	
FINISH:	MATERIAL	
FSCM 83330	Dialight 1501 ROUTE 34 SOUTH FARMINGDALE, NJ 07727	
SHEET 1 OF 1 FAMILY TABLE:		