

**Quad Flat Package (QFP)  
DIP or PGA Adapters**

**DIP or PGA ADAPTER  
MODULES  
ELIMINATE THE  
NEED TO  
REDESIGN  
MOTHERBOARDS  
OR MAY BE USED  
FOR  
BREADBOARD  
PROTOTYPING**

**DESCRIPTION**

This new family of Accutek QFP Adapter Modules converts surface mount IC's to pin compatible DIP packages for creating drop-in replacements for end-of-life DIP IC's. Package types supported are: QFP (Quad Flat Package).

These Adapters were developed for users with motherboard designs that require DIP's, now obsolete by manufacturers. These adapter modules save costly motherboard redesigns.

Available with machined or flat stamped contact pins. Accutek Adapter Modules feature 32 to 208 pins, are fully assembled and tested and may include a decoupling capacitor. These Adapters can be manufactured turnkey or from customer supplied surface mount IC's. Modules range in length from 1.600" to 5.00" depending on number of pins, and incorporate 0.300", 0.600" and 0.900" row-to-row spacing with 0.100" lead spacing. Some adapters are square Pin Grid Arrays (PGS'a).

Custom configurations up to 300 pins, multi-chip and double sided modules are also available for special functions. A variety of pin lengths with varying diameters as well as custom sizes and spacing can be specified with different materials and finishes. All modules are designed in-house using PCB CAD workstations. Automated assembly and 100% testing are also performed in-house.

**FEATURES**

- Saves costly redesign of current motherboards
- Fully tested with lifetime limited warranty
- May include an on board decoupling capacitor
- IC assembly and testing available
- EPROM and Flash programming available
- Custom lead lengths available
- Custom multi-chip and double-sided modules available

**ORDERING OPTIONS**

- Adapter only
- Customer supplies chips - Accutek assembles on Accutek adapters, tests and delivers finished product in antistatic tubes.
- Complete turnkey - Accutek purchases IC's and passives. Then assembles, tests and delivers finished product in antistatic tubes.



5 NEW PASTURE ROAD  
NEWBURYPORT, MA 01950-4040  
PHONE: 978-465-5200 FAX: 978-462-3396  
Email: sales@accutekmicro.com  
Internet: www.accutekmicro.com

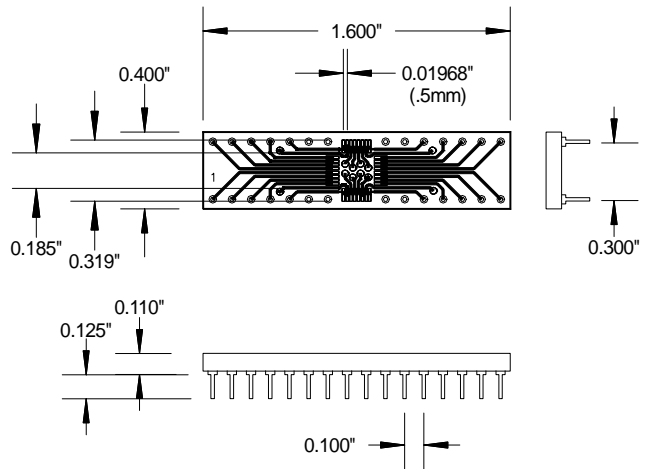
We can assemble your chips on to our adapter boards. Fully automated assembly and test at our Newburyport, Massachusetts facility.



No job to large or small.

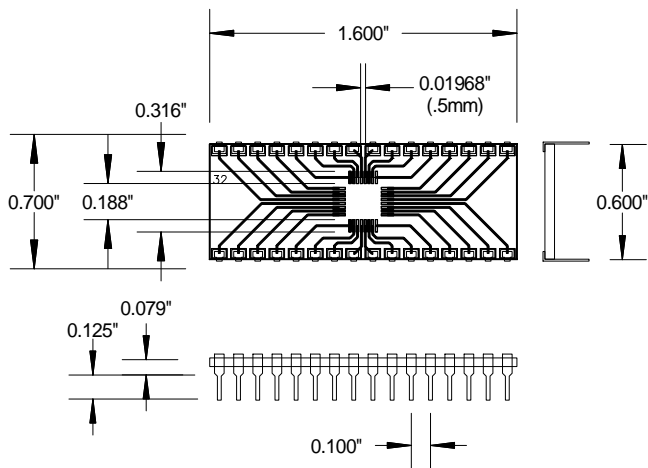
### AK32D300-QFP5X5

32 PIN QFP 5x5mm TO DIP300



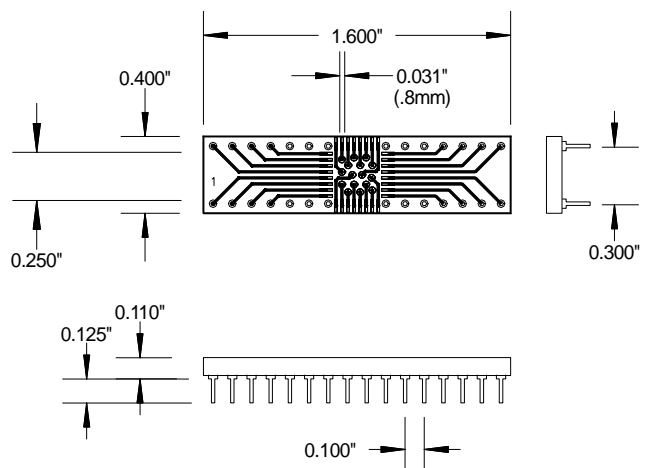
### AK32D600-QFP5X5

32 PIN 0.5mm PITCH QFP 5x5mm TO DIP600



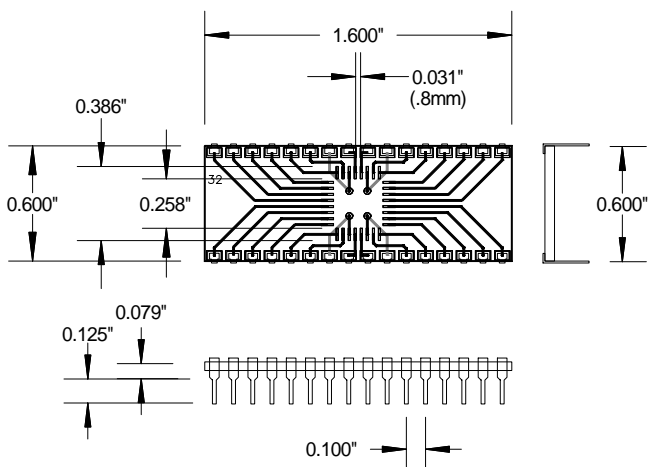
### AK32D300-QFP7X7

32 PIN QFP 7x7mm TO DIP300



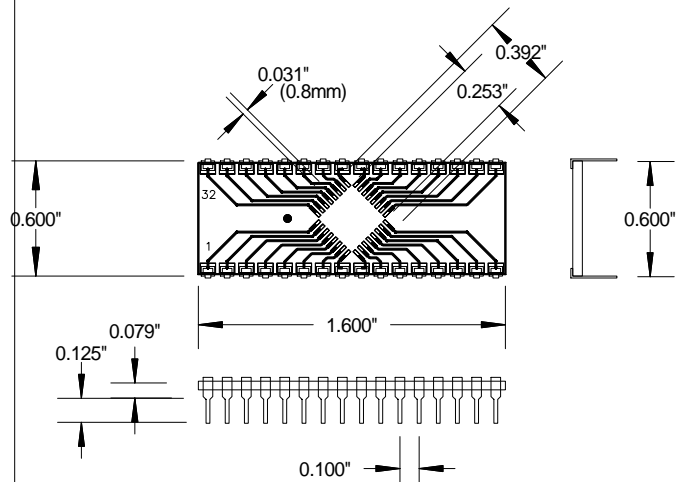
### AK32D600-QFP7X7

32 PIN 0.8mm PITCH QFP 7x7mm TO DIP600

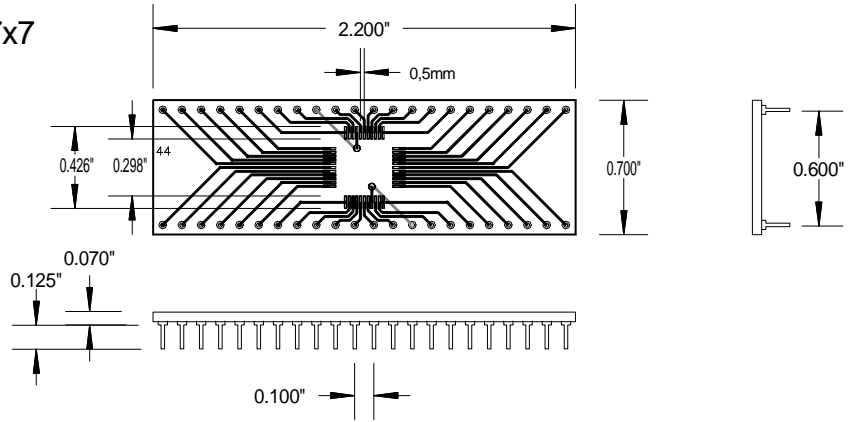


### AK32D600-QFP7X7-A1-1

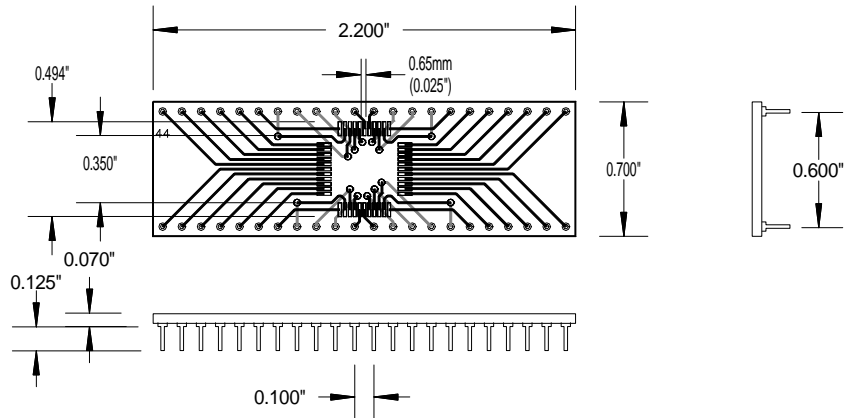
32 PIN 0.8mm PITCH QFP 7x7mm TO DIP600



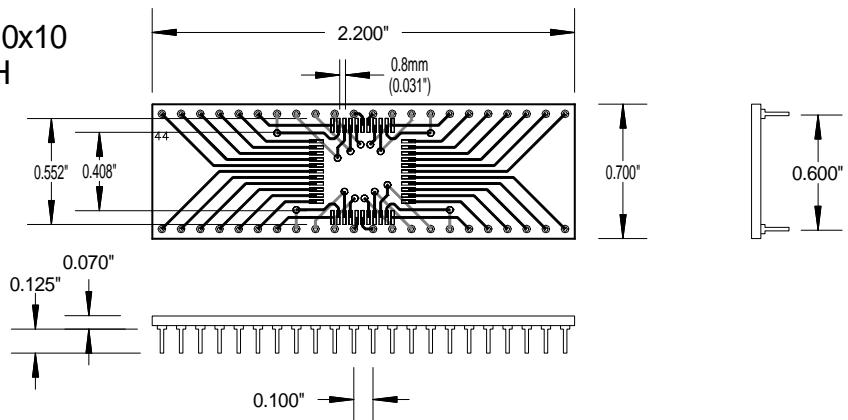
AK44D600-QFP .5mm 7x7  
 7x7 QFP .5mm PITCH  
 TO 44 PIN DIP



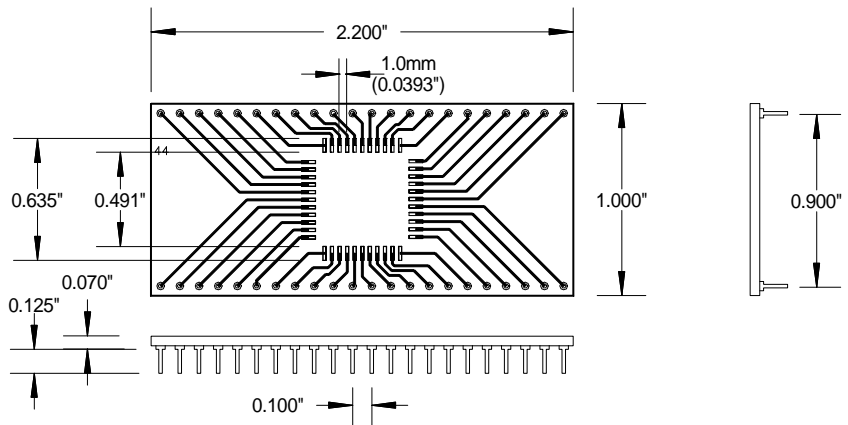
AK44D600-QFP .65mm  
 QFP .65mm PITCH  
 TO 44 PIN DIP



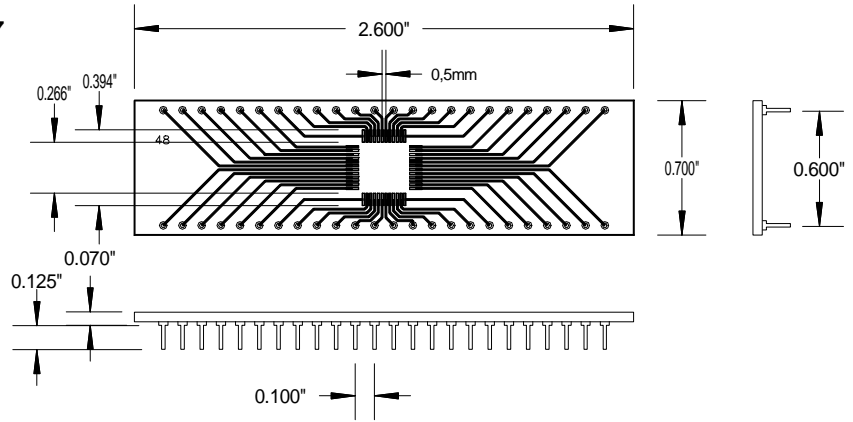
AK44D600-QFP .8mm 10x10  
 10x10 QFP .8mm PITCH  
 TO 44 PIN DIP



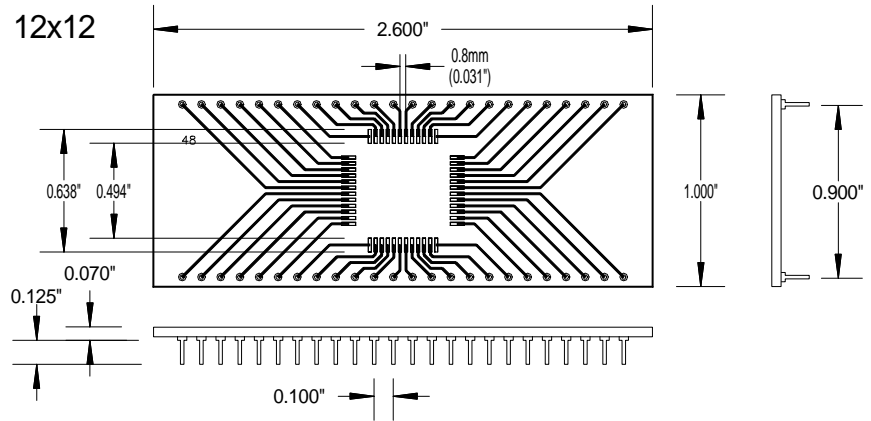
AK44D900-QFP 1.0mm  
 QFP 1.0mm PITCH  
 TO 44 PIN DIP



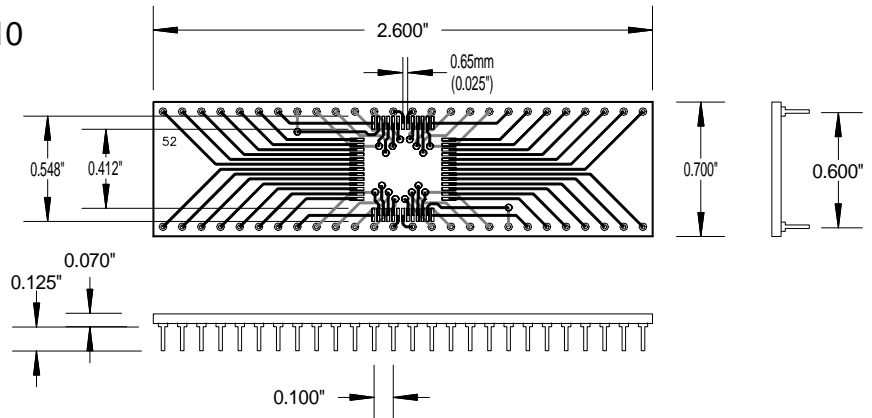
AK48D600-QFP .5mm 7x7  
 7x7 QFP .5mm PITCH  
 TO 48 PIN DIP



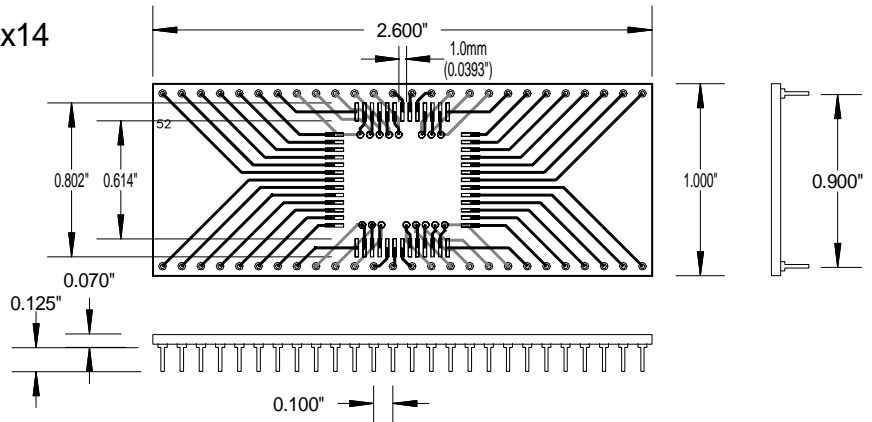
AK48D900-QFP .8mm 12x12  
 QFP 0.8mm PITCH  
 TO 48 PIN DIP



AK52D600-QFP .65mm 10x10  
 10x10 QFP .65mm PITCH  
 TO 52 PIN DIP

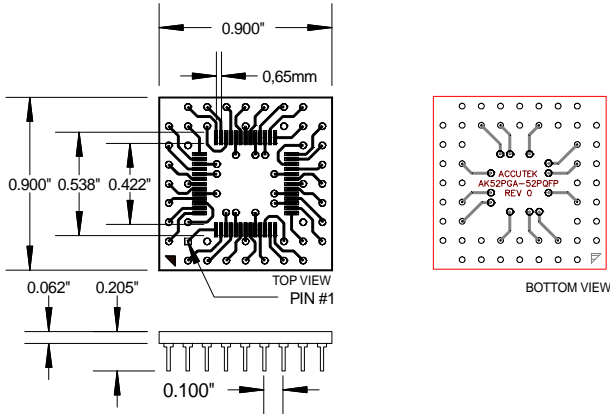


AK52D900-QFP 1.0mm 14x14  
 QFP 1.0mm PITCH  
 TO 52 PIN DIP



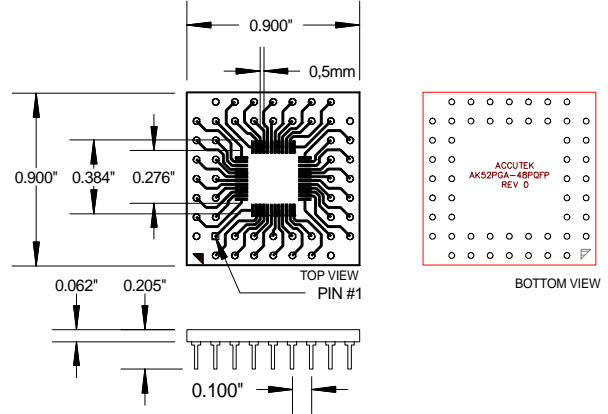
### AK52PGA-52PQFP

52 PIN PQFP TO PIN GRID ARRAY

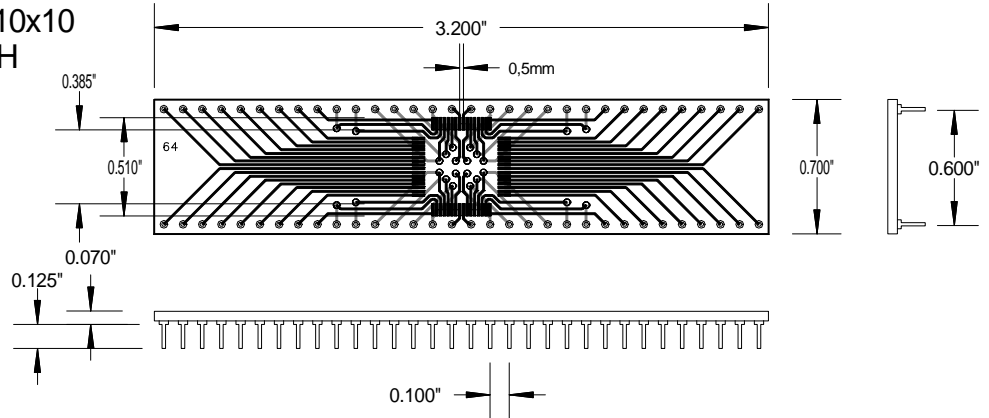


### AK52PGA-48PQFP

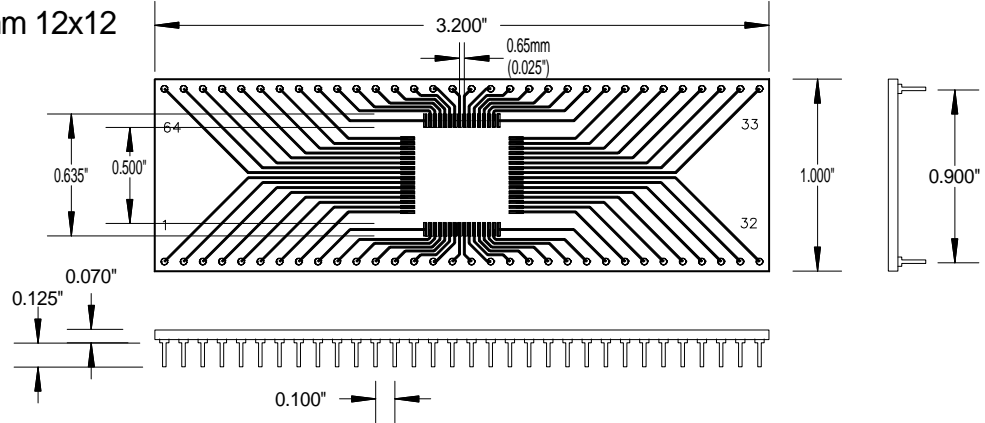
48 PIN PQFP TO 52 PIN GRID ARRAY



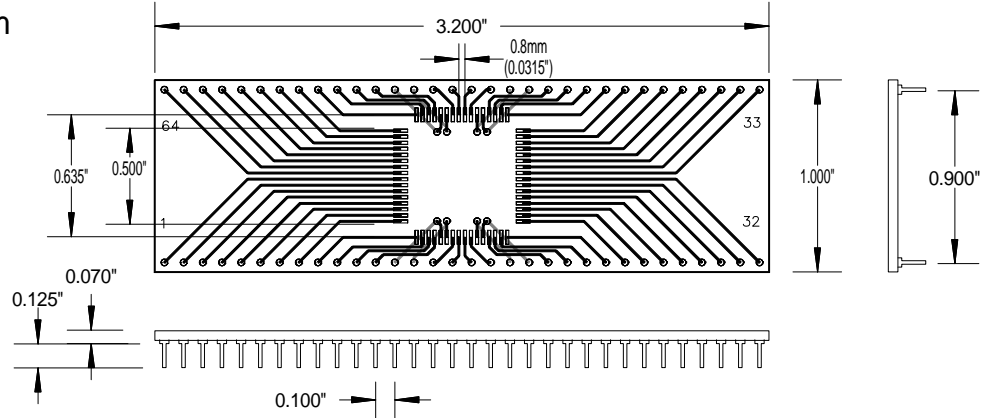
### AK64D600-QFP .5mm 10x10 10x10 QFP .5mm PITCH TO 64 PIN DIP



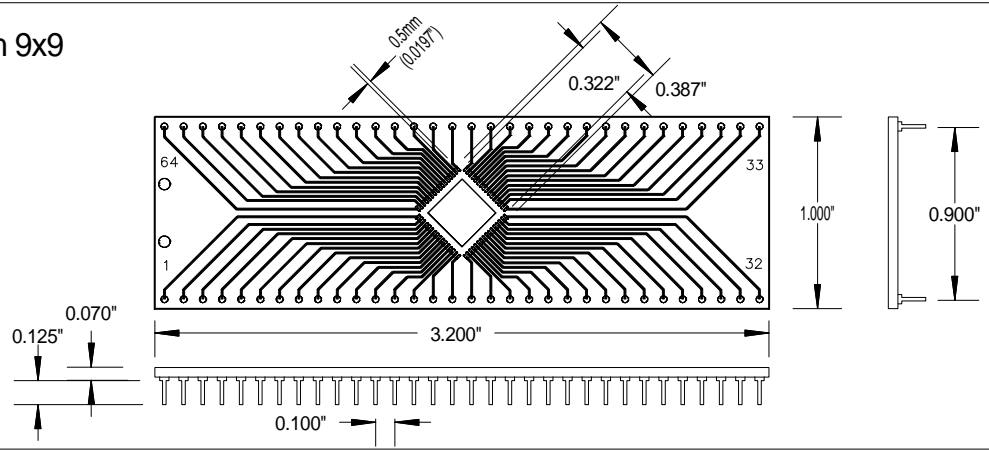
### AK64D900-QFP .65mm 12x12 QFP 0.65mm PITCH TO 64 PIN DIP



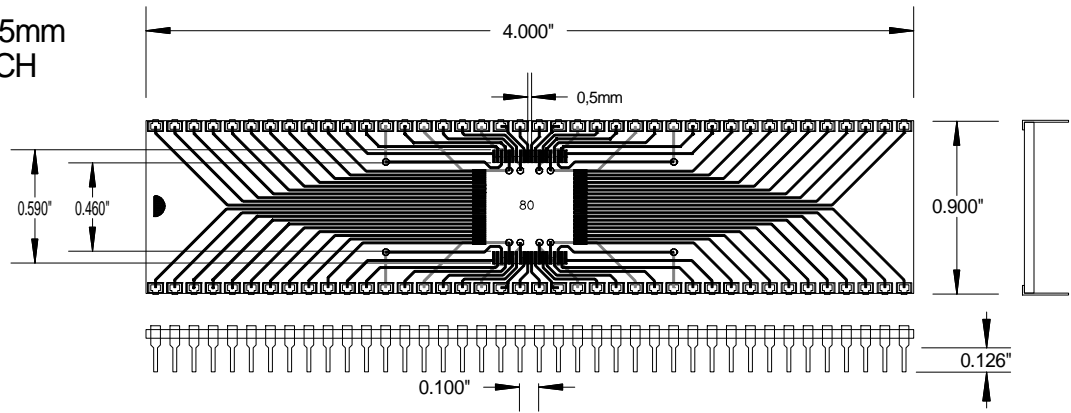
### AK64D900-QFP .8mm QFP 0.8mm PITCH TO 64 PIN DIP



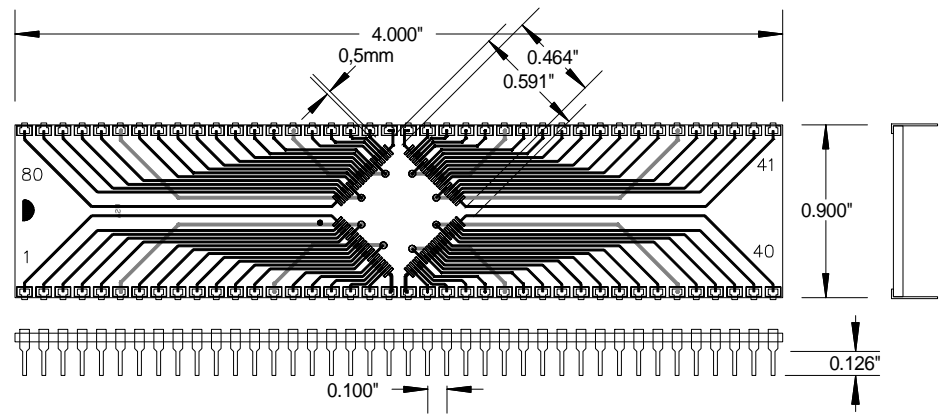
AK64D900-LGA .5mm 9x9  
 LGA 0.5mm PITCH  
 TO 64 PIN DIP



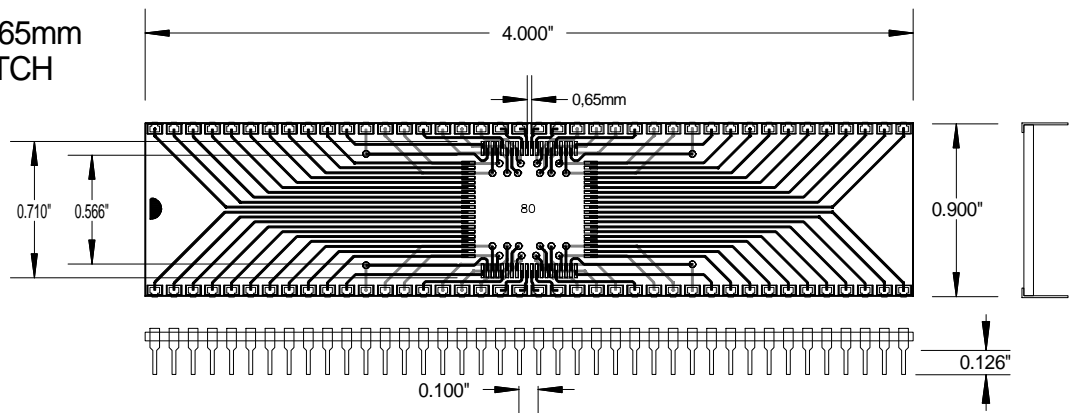
AK80D900-QFP.5mm  
 QFP 0.5mm PITCH  
 TO 80 PIN DIP



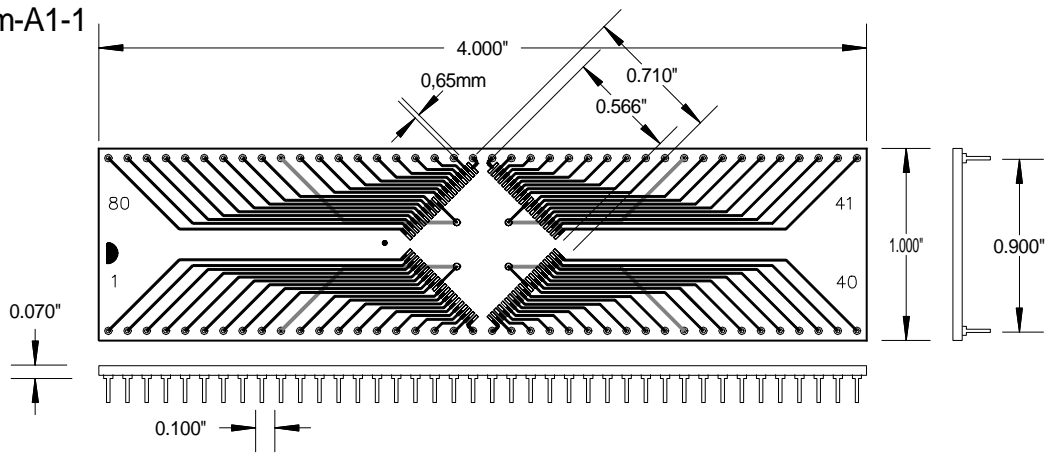
AK80D900-QFP.5mm-A1-1  
 QFP 0.5mm PITCH  
 TO 80 PIN DIP



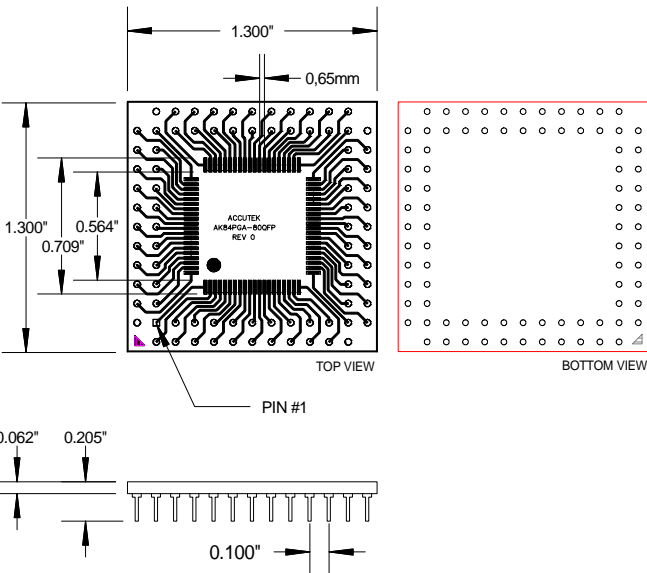
AK80D900-QFP.65mm  
 QFP 0.65mm PITCH  
 TO 80 PIN DIP



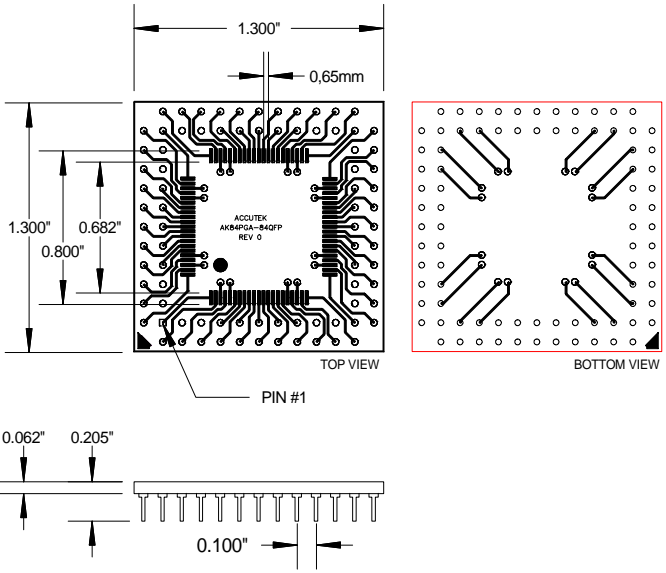
**AK80D900-QFP.65mm-A1-1**  
**QFP 0.65mm PITCH**  
**TO 80 PIN DIP**



**AK84PGA-80QFP**  
**80 PIN QFP TO 84 PIN GRID ARRAY**

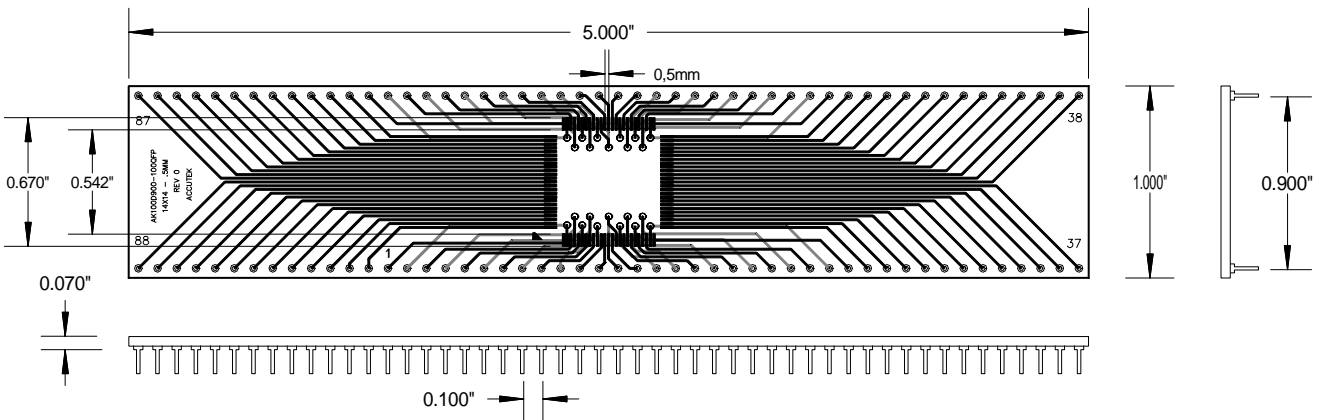


**AK84PGA-84QFP**  
**84 PIN QFP TO 84 PIN GRID ARRAY**

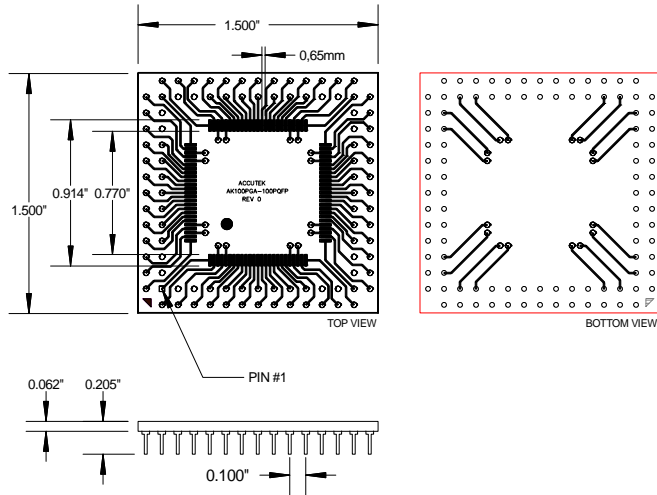


**AK100D900-100QFP .5mm 14x14**  
**100 PIN QFP 0.5mm PITCH**  
**TO 100 PIN DIP**

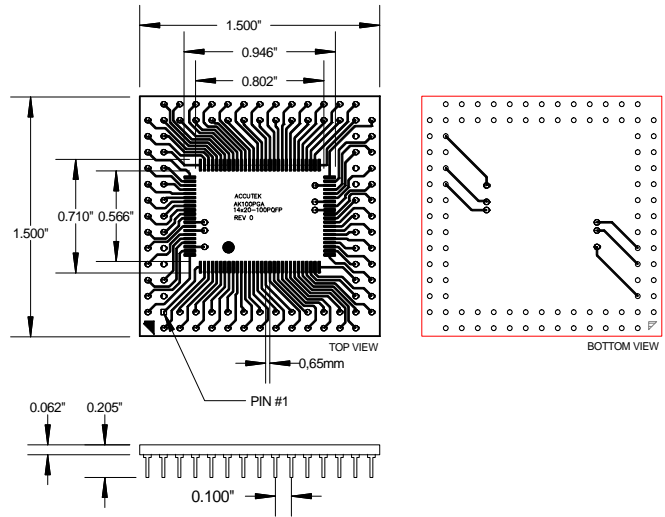
AK100D900-100QFP.5-14x14



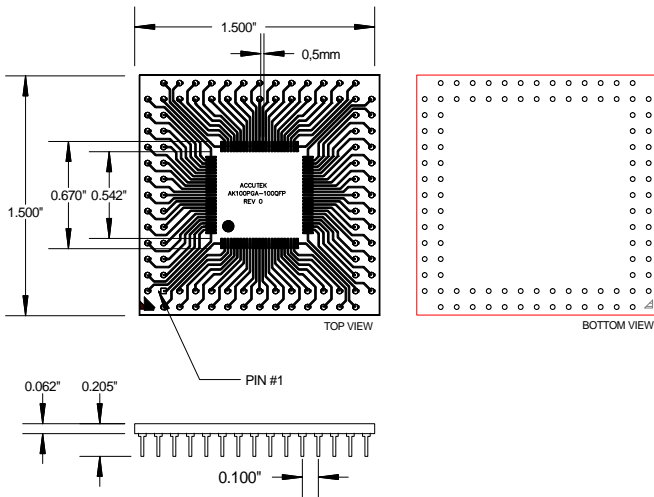
**AK100PGA-100PQFP.65MM**  
100 PIN .65MM PITCH PQFP TO PIN GRID ARRAY



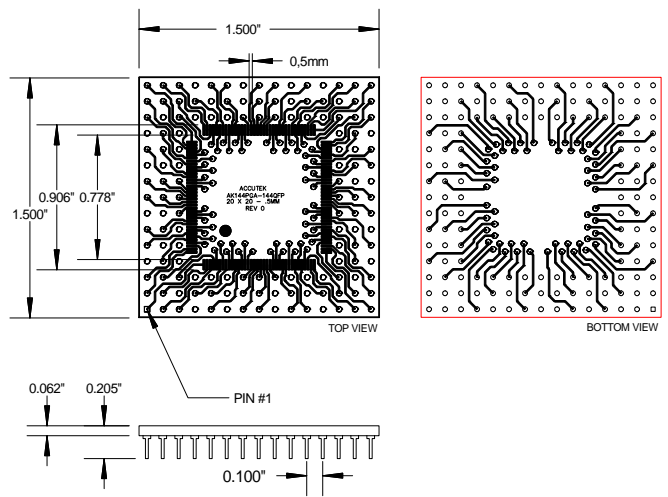
**AK100PGA-14x20-100PQFP**  
100 PIN 14x20 0.65MM PITCH PQFP TO PIN GRID ARRAY



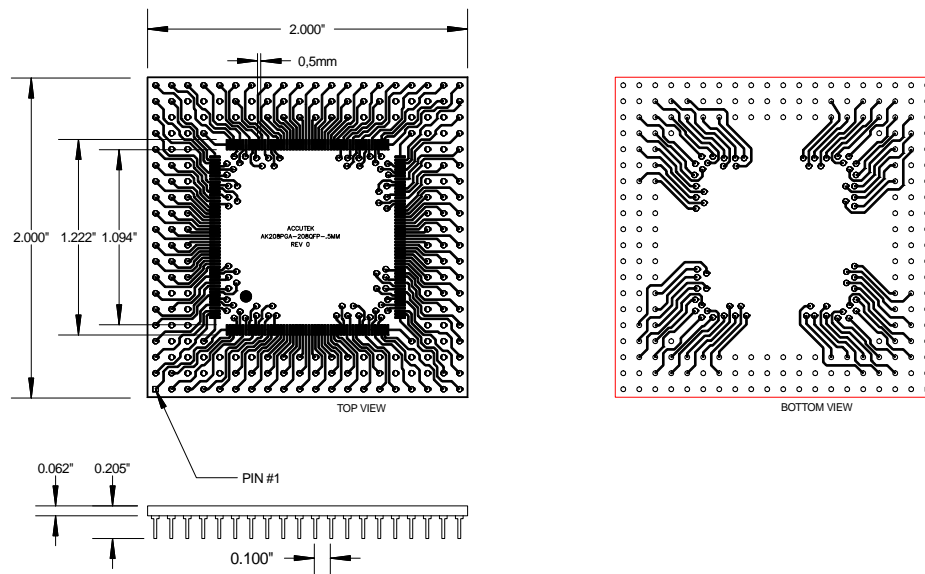
**AK100PGA-100QFP.5MM 14X14**  
100 PIN 14 x 14 0.5MM PITCH QFP TO PIN GRID ARRAY



**AK144PGA-144QFP.5MM 20x20**  
144 PIN 20x20 0.5MM PITCH QFP TO PIN GRID ARRAY



**AK208PGA-208QFP.5MM**  
208 PIN .5MM QFP TO PIN GRID ARRAY





# SPECIAL APPLICATION ADAPTERS

160 PIN PGA BOARD  
(for attachment of 160 Pin PQFP  
Microprocessor Chips)

