



HPSTP SERIES

HPSTP-19-1000-ML-ML



HPSTP-19-2000-S-S

HI-SPEED SHIELDED TWISTED PAIR CABLE

SPECIFICATIONS

Mates with:
HDMR, MHDMMR

For complete specifications see
www.samtec.com?HPSTP

Signal Routing:

100Ω Differential

Pinout Map:

See web address above

RoHS Compliant:

Yes

| HPSTP | |
|-----------------|------------------------------|
| Cable Length | 30 AWG Shielded Twisted Pair |
| 1 meter (39.4") | 1.78 GHz / 3.56 Gbps |

Performance data for other cable lengths and complete test data available at www.samtec.com?HPSTP or contact sig@samtec.com



ALSO AVAILABLE

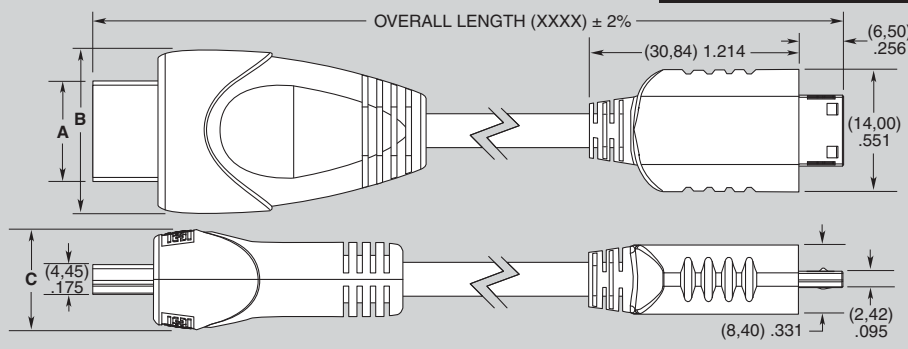
- 30 AWG twinax cable. (See HPDPI Series)
- Custom cable lengths/higher performance.
- Standard HDMI™ cables. Call Samtec.

| TYPE | NO. OF POSITIONS | LENGTH | END NO. 1 | END NO. 2 |
|---|---|---|---|---|
| HPSTP = Micro Shielded Twisted Pair Cable | -19 = 5 Pairs, 5 Power, 19 Positions -29 = 8 Pairs, 5 Power, 29 Positions (-S end option only) | -“XXXX” = Length in millimeters -1000, -2000, -3000, -5000 | -S = Standard HDMI -M = Mini HDMI (19 positions only) (-5000 length not available) -SL = Standard HDMI with Locking (19 positions only) -ML = Mini HDMI with Latching (19 positions only) (-5000 length not available) | -S = Standard HDMI (-S-S & -M-S only) -M = Mini HDMI (-M-M & -S-M only, 19 positions only.) (-5000 length not available) -SL = Standard HDMI with Locking (-SL-SL only, 19 positions only.) -ML = Mini HDMI with Latching (-ML-ML only, 19 positions only.) (-5000 length not available) |

| NO. OF POSITIONS | A | B | C | NO. OF PAIRS |
|------------------|-----------------|------------------|-----------------|--------------|
| -19 | (13.90) .547 | (20.51) .807 | (11.10) .437 | 05 |
| -29 | (21.20) .835 | (27.20) 1.071 | (13.00) .512 | 08 |



Note:
This product is non-standard, non-returnable.



Due to technical progress, all designs, specifications and components are subject to change without notice.

WWW.SAMTEC.COM