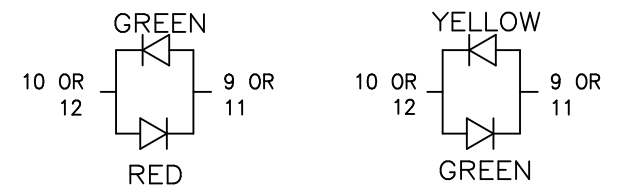
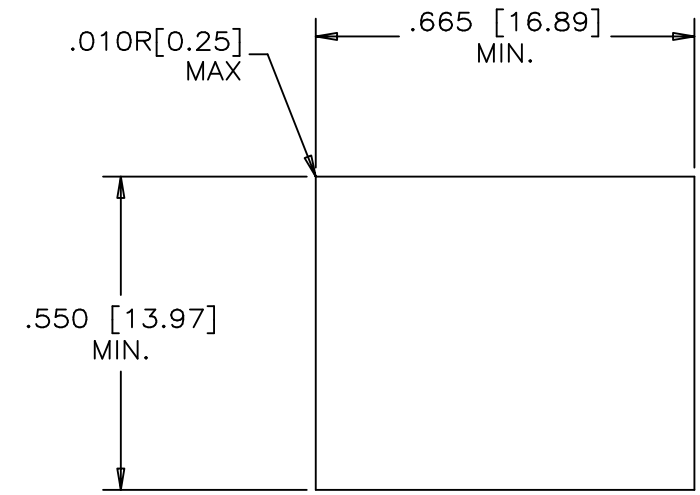
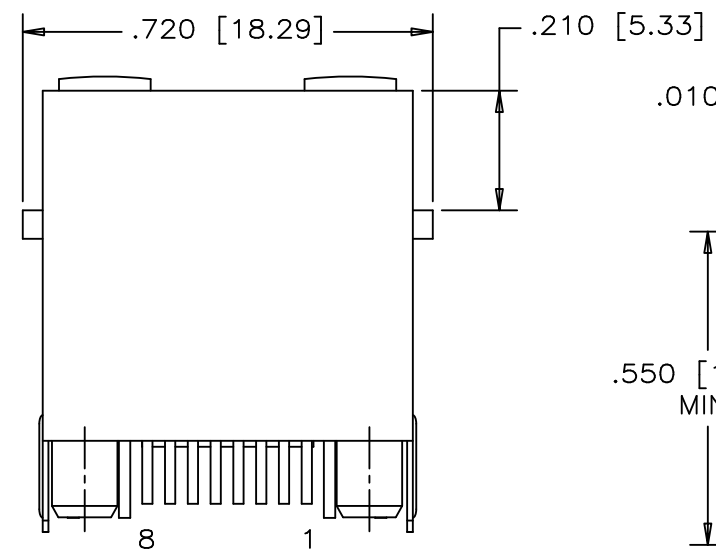


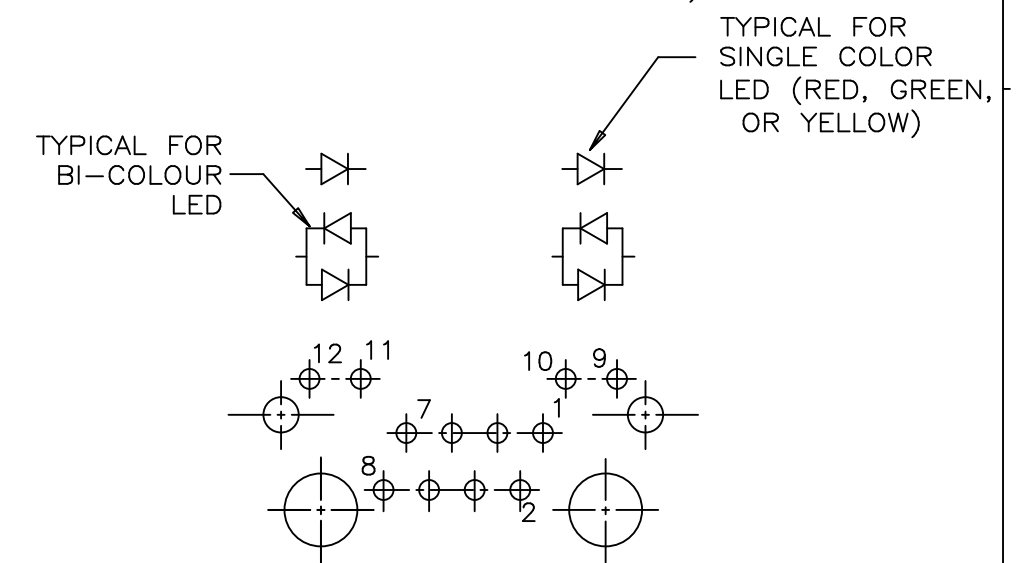
REVISIONS				
SYM	ZONE	ECN, ERN NO.	DATE	APPRD.
D		PROPOSAL	OCT 24,08	L.CHAN
E		ADD OPERATING TEMP	AUG06/12	L.CHAN



**BI-COLOUR LED DETAIL**  
(RED/YELLOW AND GREEN/ORANGE LED'S ARE ALSO AVAILABLE)



**RECOMMENDED PANEL CUTOUT**



**MATERIALS:**

PLASTIC HOUSING: HIGH TEMPERATURE THERMOPLASTIC  
FLAMMABILITY RATING UL 94V-0

CONTACTS: PHOSPHOR BRONZE  
(FLAT) PLATING: 30 μ" [0.76 MICRONS]  
MIN. GOLD ON MATING SURFACES.  
50 μ" [1.27 MICRONS]  
MIN. NICKEL UNDERPLATE  
100 μ" [2.54 MICRONS]  
MIN. MATTE TIN ON CONTACT TAILS.

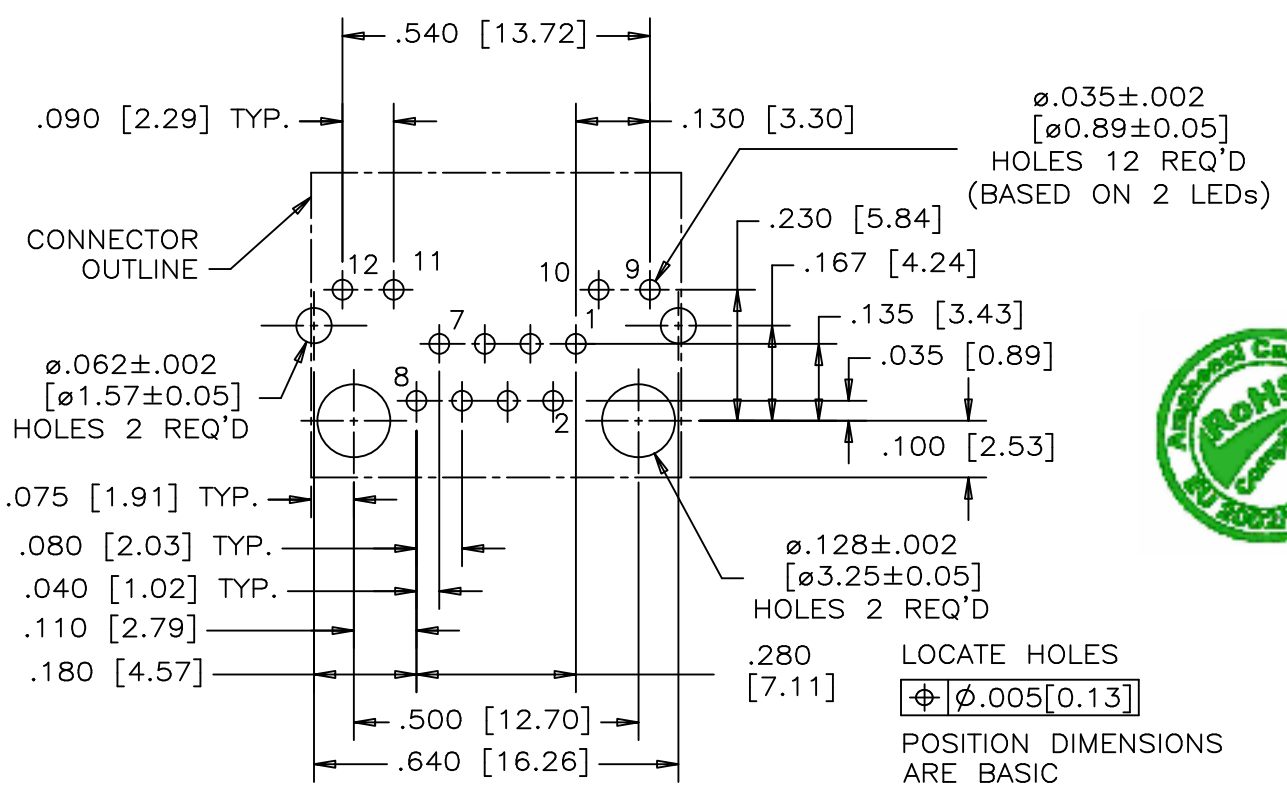
SHIELD: COPPER ALLOY  
PLATING: NICKEL WITH TIN DIPPED PCB TAILS.

RECOMMENDED SOLDERING TEMPERATURE:  
WAVE SOLDERING TEMPERATURE AT 260°C MAXIMUM  
FOR 5 SEC MAXIMUM.

ENVIRONMENTAL:  
OPERATING TEMPERATURE: -55°C to 85°C

**AMPHENOL PART NUMBER: RJHSE-338X**

REFER TO LED OPTIONS DRAWING  
FOR ORDERING CODES



**RECOMMENDED P.C.B. LAYOUT**  
(COMPONENT SIDE OF BOARD)

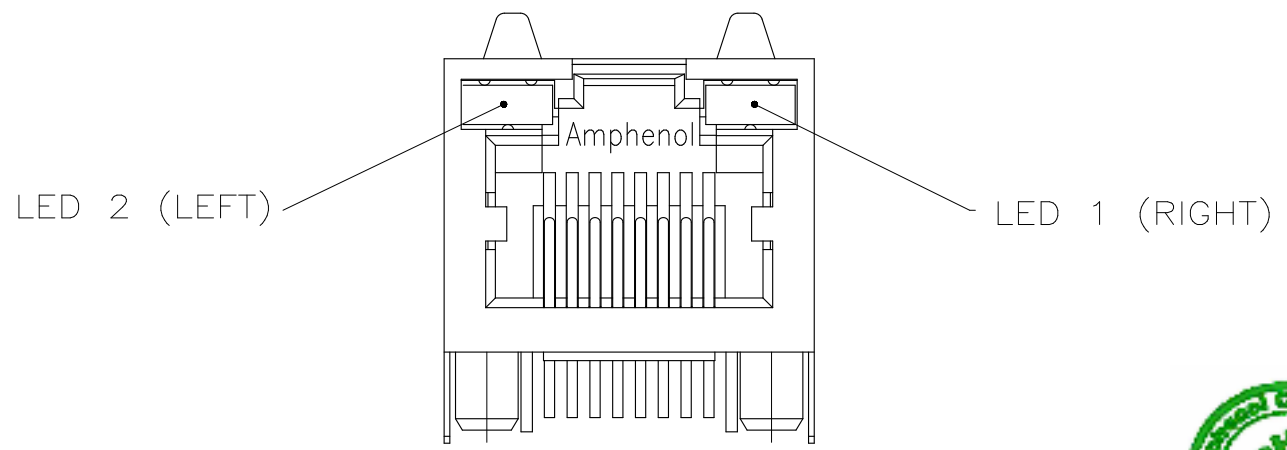


LOCATE HOLES  
⌀ .005 [0.13]  
POSITION DIMENSIONS  
ARE BASIC

THIS DOCUMENT CONTAINS PROPRIETARY INFORMATION AND SUCH INFORMATION  
MAY NOT BE DISCLOSED TO OTHERS FOR ANY PURPOSE OR USED FOR MANUFACTURING  
PURPOSES WITHOUT WRITTEN PERMISSION FROM AMPHENOL CANADA CORP.

DRAWN PAULW	DATE JUL04/06	<b>Amphenol Canada Corp.</b>		
DESIGNED				
CHECKED CHIGOW	JUL04/06	TITLE		
I. E. APPRD.		SINGLE-PORT HIGH SPEED MODULAR JACK, 8 POSITIONS, 8 FLAT CONTACTS, WITH LED'S AND SHIELD - RoHS COMPLIANT		
Q. A. APPRD.		DWG	DRAWING NO.	REV.
DWG. APPRD.			P-RJHSE-338X	E
ENG. REL. NO.		SCALE	WT. -----	SURF. -----
REF. EAR# RJ12091				SHEET 1 OF 1
DIMENSIONS ARE IN INCHES [mm]	CODE ID. NO. 03554			

REVISIONS				
SYM	ZONE	ECN, ERN NO.	DATE	APPRD.
A		PROPOSAL	SEP21/04	
B		ADD LED CODE N	AUG16/12	L.C



TYPICAL FOR SINGLE & MULTI-PORT



**LED SPECIFICATIONS:**  
 FORWARD VOLTAGE: 2.1 VOLTS TYP.  
 REVERSE VOLTAGE: 5.0 VOLTS MIN.  
 LUMINOUS INTENSITY: 0.5 mCd MIN.  
 (AT If=2mA)  
 STORAGE TEMPERATURE: -20° TO 85° C  
 LEAD SOLDERING TEMPERATURE: 260° C  
 (5 SEC, 1/16" FROM CASE)  
 PLATING ON TAILS: TIN OR TIN/COPPER ALLOY OVER SILVER

**EXAMPLE:**

PART NUMBER RJHSE-538X



CODE	LED 2 (LEFT)	LED 1 (RIGHT)	CODE	LED 2 (LEFT)	LED 1 (RIGHT)	CODE	LED 2 (LEFT)	LED 1 (RIGHT)
0	BLOCKED	BLOCKED	9	GREEN	BLOCKED	J	BiC RD/GR	YELLOW
1	YELLOW	GREEN	A	BiC GR/YE	BiC GR/YE	K	YELLOW	BiC GR/OR
2	BLOCKED	GREEN	B	BiC RD/GR	BiC RD/GR	L	BiC GR/YE	RED
3	YELLOW	BLOCKED	C	BiC RD/GR	BiC GR/YE	M	RED	YELLOW
4	GREEN	YELLOW	D	GREEN	BiC GR/YE	N	BiC GR/RD	BiC GR/YE
5	GREEN	GREEN	E	YELLOW	BiC GR/YE	P	GREEN	BiC RD/GR
6	YELLOW	YELLOW	F	BiC GR/YE	YELLOW	R	BiC GR/OR	GREEN
7	RED	GREEN	G	BiC GR/OR	BiC GR/OR	T	RED	RED
8	GREEN	RED	H	BiC GR/YE	GREEN	V	BiC RD/GR	GREEN
			W	ADDITIONAL	OPTIONS			

PRIMARY COLOR FOR BI-COLOR LEDS IN STANDARD ANODE/CATHODE CONFIGURATION IS:  
 RED-GREEN= RED  
 RED-YELLOW= RED  
 GREEN-YELLOW= GREEN  
 GREEN-ORANGE= GREEN

**LEGEND**  
 BiC=BI-COLOR LED  
 LOWC=LOW CURRENT LED  
 YE=YELLOW  
 GR=GREEN  
 RD=RED  
 OR=ORANGE

**NOTE:**  
 THE TWO DIGITS PRECEDING THE ADDITIONAL LED CODE MUST BE USED IN THE PART NUMBER, WHEN ORDERING ANY OF THE ADDITIONAL LED OPTIONS.

**EXAMPLE OF ADDITIONAL LED OPTIONS:**

PART NUMBER RJHSE-538W-01Y



CODE	LED 2 (LEFT)	LED 1 (RIGHT)	CODE	LED 2 (LEFT)	LED 1 (RIGHT)	CODE	LED 2 (LEFT)	LED 1 (RIGHT)
0	DO NOT USE		5	BLOCKED	YELLOW	E	BIC GR/YE	BIC GR/RD
1	RED	BLOCKED	6	RED	BiC RD/GR	A	LOWC YE	LOWC YE
2	BiC GR/OR	YELLOW	7	BLOCKED	BiC RD/GR	B	LOWC YE	LOWC GR
3	YELLOW	RED	8	BiC RD/GR	BLOCKED	C	LOWC GR	LOWC YE
4	BLOCKED	RED	9	BiC GR/YE	BLOCKED	D	LOWC GR	LOWC GR
						M	LOWC RD	LOWC YE

THIS DOCUMENT CONTAINS PROPRIETARY INFORMATION AND SUCH INFORMATION MAY NOT BE DISCLOSED TO OTHERS FOR ANY PURPOSE OR USED FOR MANUFACTURING PURPOSES WITHOUT WRITTEN PERMISSION FROM AMPHENOL CANADA CORP.

DRAWN <i>K. LAMBIE</i>	DATE <i>SEP21/04</i>	<b>Amphenol Canada Corp.</b>		
DESIGNED				
CHECKED		TITLE LED OPTIONS FOR RJHSE, SINGLE OR MULTI-PORT CONNECTORS - RoHS COMPLIANT		
I. E. APPRD.				
Q. A. APPRD.		DWG	DRAWING NO.	REV.
DWG. APPRD.			P-RJHSE-LEDS	B
ENG. REL. NO.		SCALE	WT. -----	SURF. -----
REF.				SHEET 1 OF 1
DIMENSIONS ARE IN INCHES [mm]	CODE ID. NO. 03554			